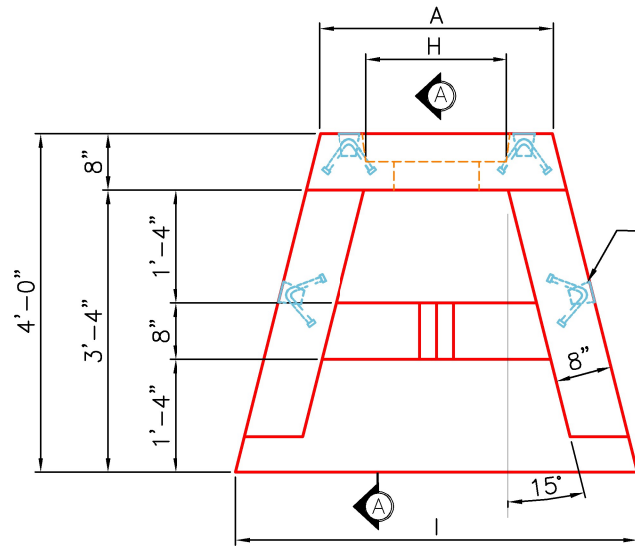
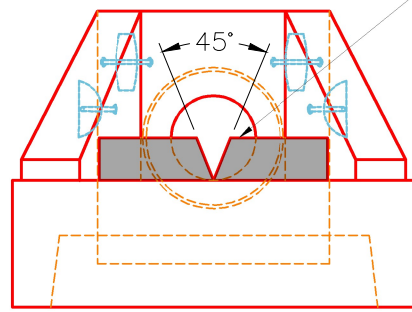


| DIMENSIONS  |       |       |       |       |       |    |                   |       |       |            |
|-------------|-------|-------|-------|-------|-------|----|-------------------|-------|-------|------------|
| PIPE $\phi$ | A     | B     | C     | D     | E     | F  | G                 | H     | I     | WEIGHT     |
| 12"         | 2'-9" | 3'-6" | 2'-0" | 1'-6" | 4'-0" | 3" | 2 $\frac{3}{8}$ " | 1'-8" | 4'-9" | 3,161 LBS. |



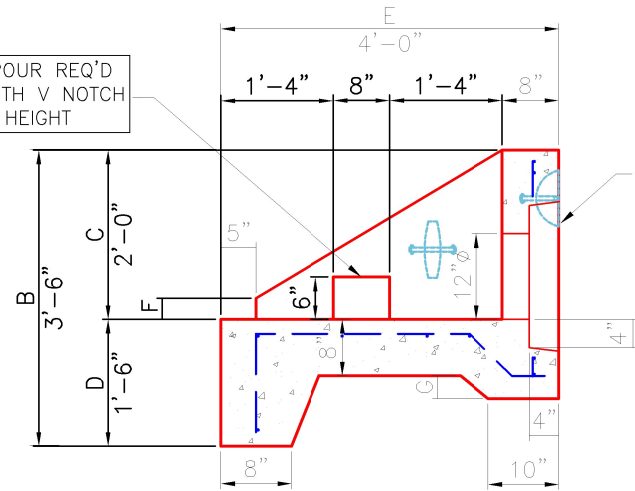
**PLAN VIEW**



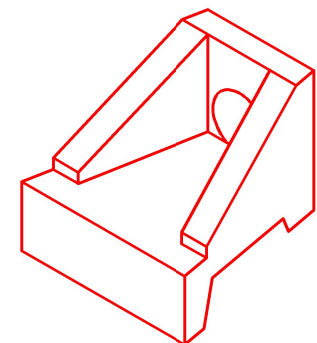
**FRONT ELEVATION**

"A-ANCHOR" LIFTING SYSTEM FOR PLANT & FIELD HANDLING.

SECONDARY POUR REQ'D WEIR WALL WITH V NOTCH 8" THK x 6" HEIGHT



**SECTION A-A**




**ISOMETRIC VIEW**

12"  $\phi$  HEADWALL

12"  $\phi$  TO 20"  $\phi$  STEPPED HOLE FORMER FOR 12"  $\phi$  PIPE. 12"  $\phi$  TO BE FLUSH WITH FLOOR.

**~NOTES:**

1. CONCRETE: 4500 PSI @ 28 DAYS.
2. REINFORCING: #4 BAR @ 12" C/C E.W.-GRADE 60, (WITH 2" CONCRETE COVER MINIMUM)
3. REINFORCING BARS TO BE TACK WELDED OR TIED.
4. DRAWING TO BE USED IN CONJUNCTION WITH KYTC STD. DRAWING RDH-020-03 AND THE STANDARD SPECIFICATIONS FOR ROAD AND BRIDGE CONSTRUCTION.
5.  $\frac{3}{8}$ " CHAMFER ON ALL EXPOSED EDGES.

|   |   |                             |   |                     |
|---|---|-----------------------------|---|---------------------|
| <b>PRODUCTION WORK ORDER</b>  |   | PRODUCT I.D.: HWSF12CUST    | DESCRIPTION: KYTC 12" $\phi$ SLOPED & FLARED HEADWALL |                     |
|  | QUALITY CONTROL CHECKLIST                         | PRODUCT VIEW: RIGHT SIDE UP | CUSTOMER: NATIONAL CORVETTE MUSEUM c/o SCOTTY'S       |                     |
|   | <input type="checkbox"/> ALL DIMENSIONS CORRECT.  | PLANT: BEAVER DAM, KY.      | PROJECT: CORVETTE MUSEUM MATERIAL                     |                     |
|   | <input type="checkbox"/> LIFTERS INSTALLED.       | WEIGHT: 3,161 LBS.          | STRUCTURE ID.: HW 12                                  |                     |
|   | <input type="checkbox"/> STEPPED HF CORRECT SIZE. | TOP SECTION JOINT: N/A      | QUOTE/SALES ORDER NO: 25-3462                         |                     |
|   | <input type="checkbox"/> REINFORCING CORRECT.     | BASE SECTION JOINT: N/A     | CHECK: B. SMITH                                       | DRAWING: J. HORSLEY |
| <input type="checkbox"/> DISSIPATOR BLOCK INSTALLED.                                | QC CHECK INITIALS:                                | DATE: 12/08/25              | SCALE: NTS  | PG. 1 of 1          |
| <input type="checkbox"/> EDGES CHAMFERED.   |   |                             |   |                     |
| <input type="checkbox"/> ALL PATCHWORK ACCEPTABLE.                                  |   |                             |   |                     |