

Job Name: 25-3462 - Corvette Museum Material	Plant: 100	Tech: J. Horsley - F	
Job Location: Bowling Green, KY	12/8/2025 3:15:27 PM	PC: C. Goff	
Contractor: National Corvette Museum c/o Scotty's Contracting			

Structure ID: DI-9

P1 BX2424-08BAVF BOX BASE 8inW, 8inF, Variable Ht F/n

P2) 24" x 24" - CASTING HEIGHT - 2"	0 lb
P1) 24" x 24" - BOX BASE 8inW, 8inF, Variable Ht F/n - 23"	2795 lb
1) CASTING - JBS 4190-L F/G	335 lb
1) 24" x 24" - Conseal CS-102 1.00"	0 lb
1) Hole - 22	0 lb
Structure Total:	3130 lb

Structure Notes:

- PER ASTM C913 SPECIFICATIONS.
- CONCRETE = 4,000 PSI AT 28 DAYS.
- NO STEPS AND NO INVERT CHANNEL.
- CASTING BY I-CAST (JBS 4190-L F/G).

REINFORCING PER ASTM A615 (GRADE 60).

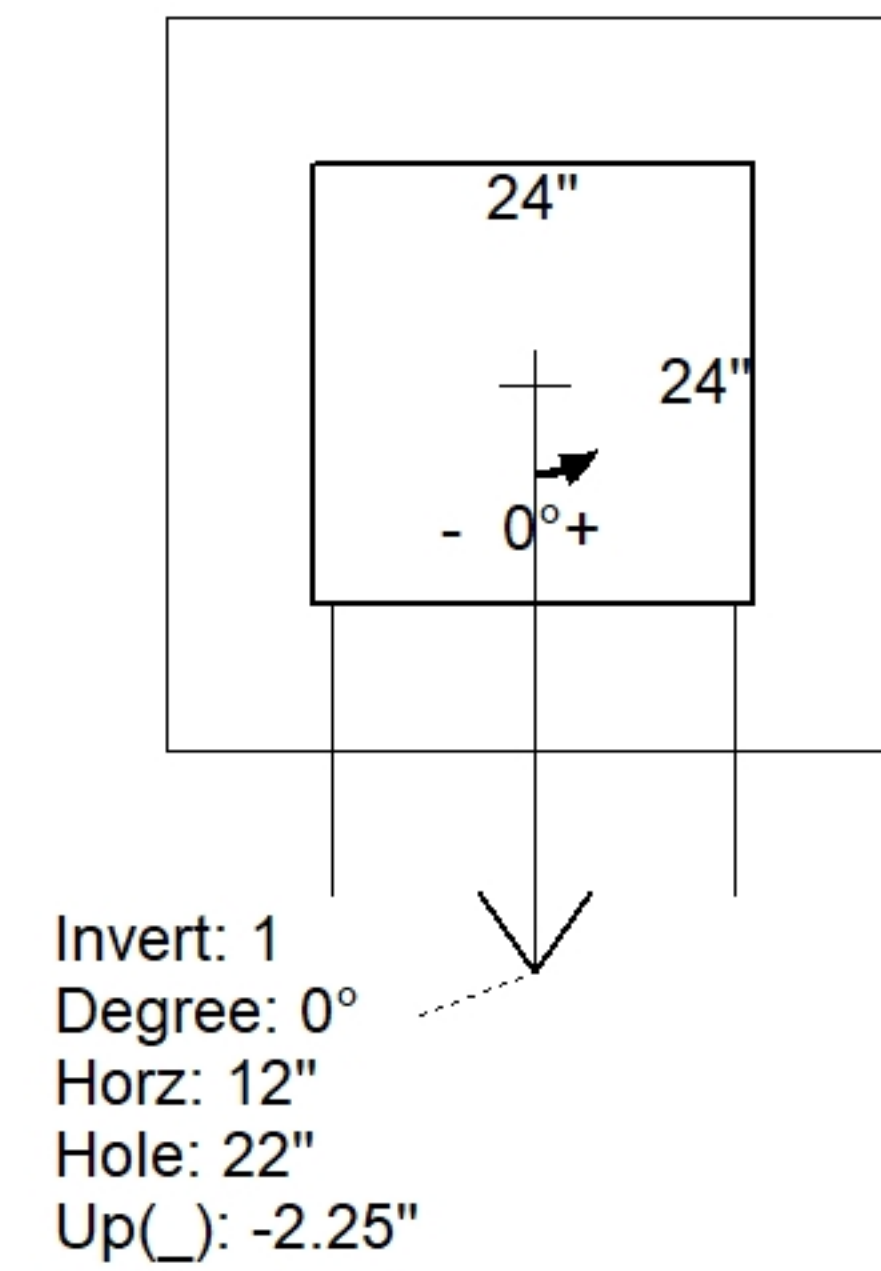
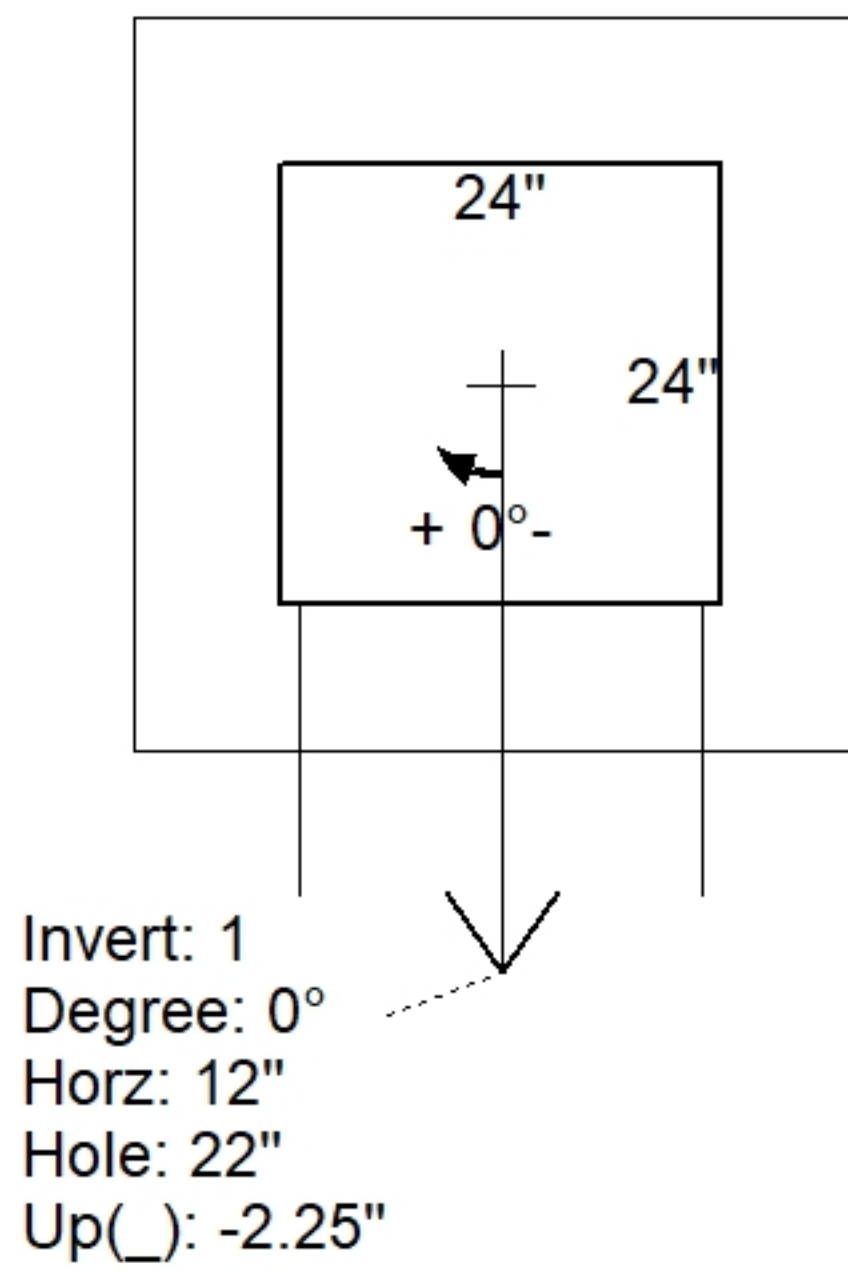
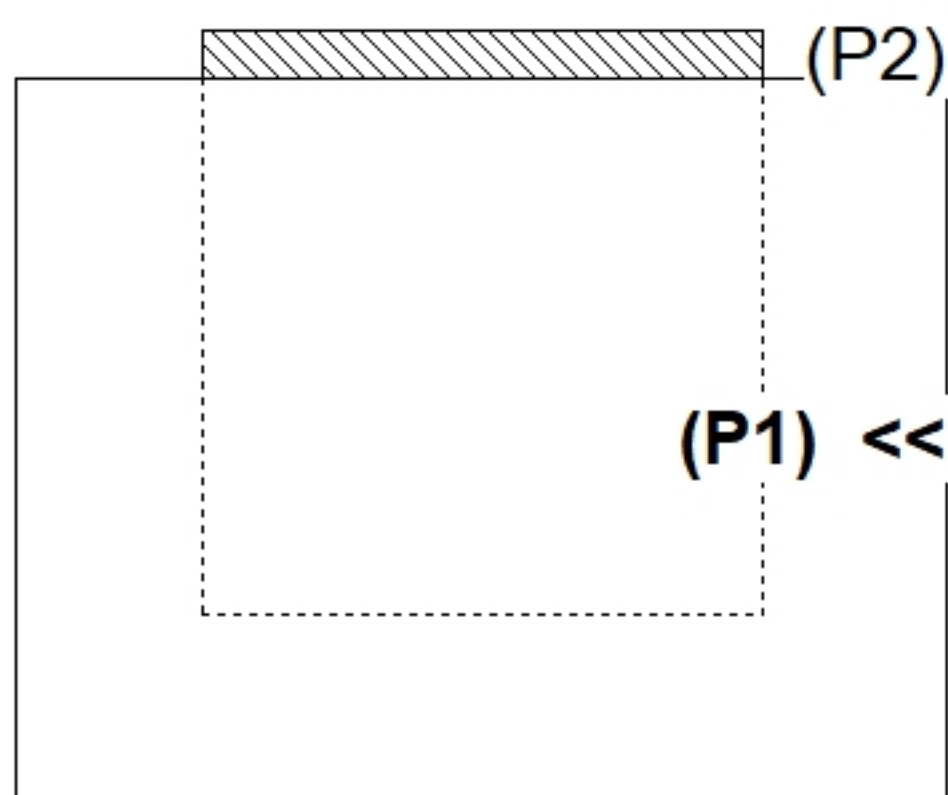
- WALLS (As .12) #5 BARS AT 12" C.C.E.W.
- FLOOR (As .12) #5 BARS AT 12" C.C.E.W.

Rim: 502.52' Rim to Invert: 2.16' Slack: 0.92" Sump: 0" Step Position:

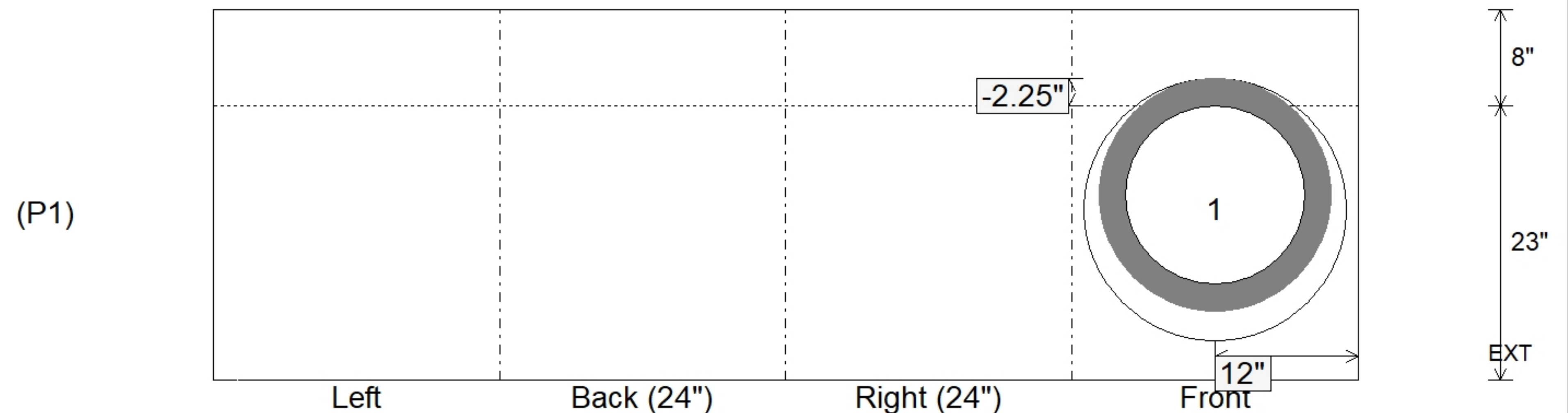
Position	Elev	Angle	Ext. (cw)	Pipe	Pipe OD	Connector	Hole	Horz Size	Up ()	Offset
Invert 1	500.36'	0°	20"	15" RCP B WALL	19.5"	Hole 22	22"	22"	-2.25"	0"
Invert 2										
Invert 3										
Invert 4										
Invert 5										
Invert 6										
Invert 7										
Invert 8										

RIGHT-SIDE UP VIEW (int. dimensions)

UPSIDE-DOWN VIEW (int. dimensions)



INSIDE WALL DIMENSIONS



Coating (Int):	Seam Up: Flat	Wall Thickness: 8"	Height (Int): 23"	Weight (Net): 2795 lb
Coating (Ext):	Seam Dn: n/a	Floor Height: 8"	Height (Ext): 31"	Volume (Net): 0.71cu.yd