

Job Name: 25-3462 - Corvette Museum Material
 Job Location: Bowling Green, KY
 Contractor: National Corvette Museum c/o Scotty's Contracting

Plant: 100
 12/8/2025 3:15:26 PM

Tech: J. Horsley - F
 PC: C. Goff



Structure ID: DI-8

P1 BX2424-08BA30

BOX BASE 8inW, 8inF F/n

- P2) 24" x 24" - CASTING HEIGHT - 2"
- P1) 24" x 24" - BOX BASE 8inW, 8inF F/n - 30"
- 1) CASTING - JBS 4190-L F/G
- 1) 24" x 24" - Conseal CS-102 1.00"
- 1) Hole - 26
- 1) Hole - 22

0 lb
 3129 lb
 335 lb
 0 lb
 0 lb
 0 lb
 Structure Total: 3464 lb

Structure Notes:
 1. PER ASTM C913 SPECIFICATIONS.
 2. CONCRETE = 4,000 PSI AT 28 DAYS.
 3. NO STEPS AND NO INVERT
 4. CASTING BY ICAST (JBS 4190-L F/G).

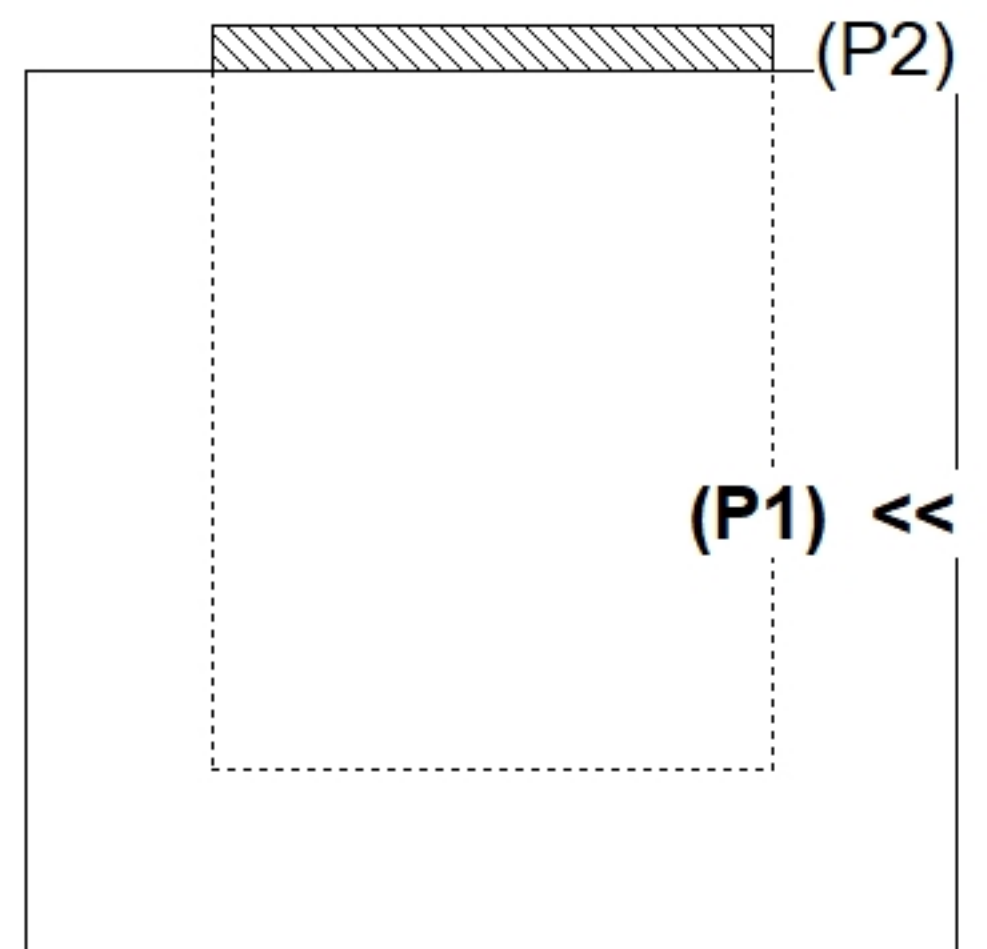
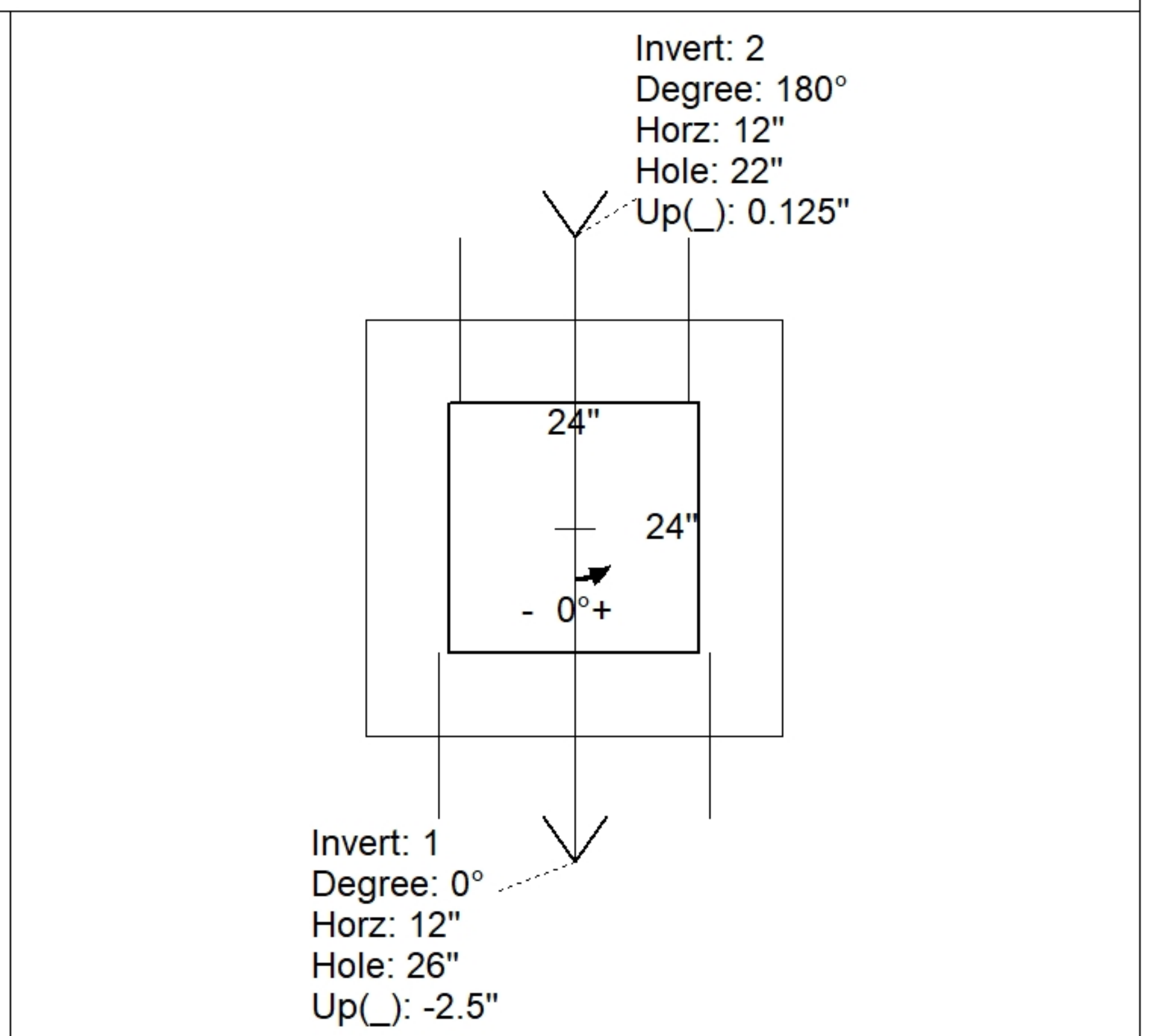
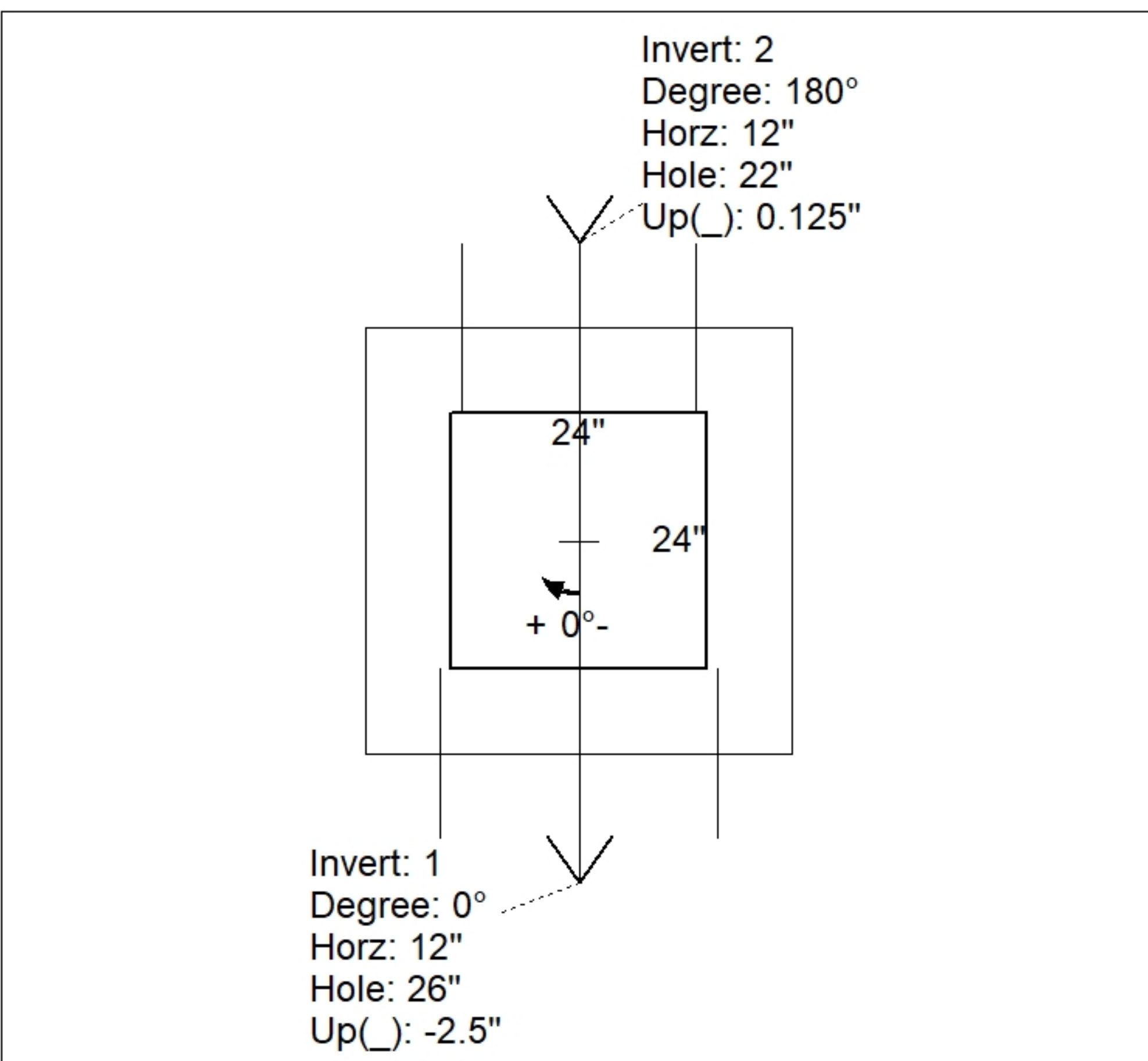
REINFORCING PER ASTM A615 (GRADE 60).
 - WALLS (As .12) #5 BARS AT 12" C.C.E.W.
 - FLOOR (As .12) #5 BARS AT 12" C.C.E.W.

Rim: 502.52' Rim to Invert: 2.73' Slack: 0.76" Sump: 0" Step Position:

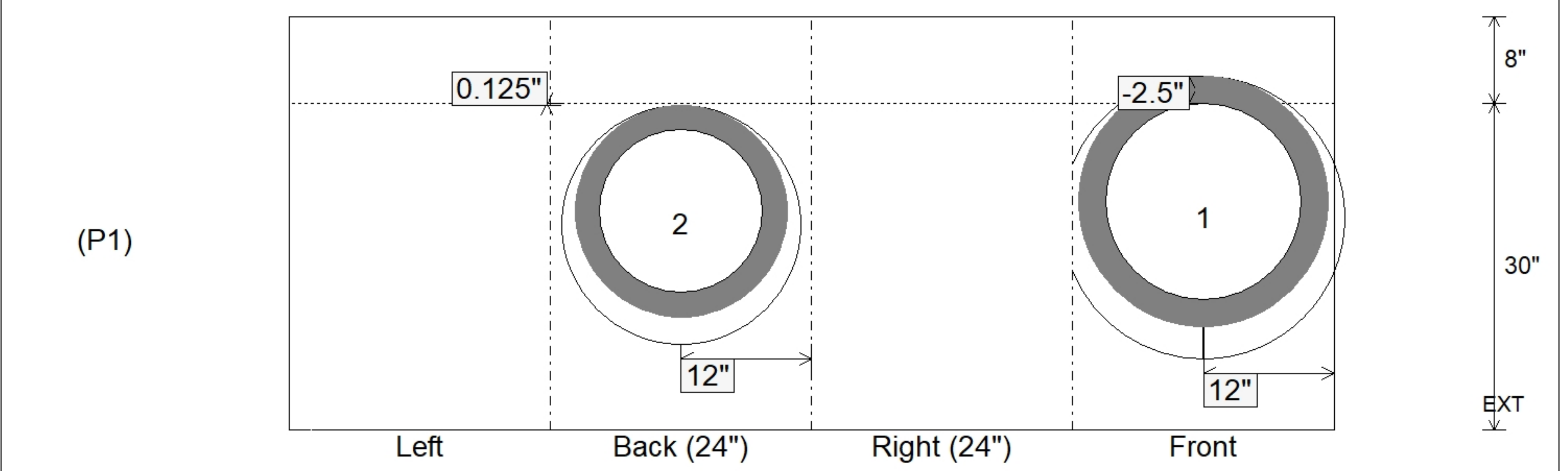
Position	Elev	Angle	Ext. (cw)	Pipe	Pipe OD	Connector	Hole	Horz Size	Up ()	Offset
Invert 1	499.79'	0°	20"	18" RCP B WALL	23"	Hole 26	26"	25"	-2.5"	0"
Invert 2	499.99'	180°	20"	15" RCP B WALL	19.5"	Hole 22	22"	22"	0.125"	0"
Invert 3										
Invert 4										
Invert 5										
Invert 6										
Invert 7										
Invert 8										

RIGHT-SIDE UP VIEW (int. dimensions)

UPSIDE-DOWN VIEW (int. dimensions)



INSIDE WALL DIMENSIONS



Coating (Int): Coating (Ext):	Seam Up: Flat Seam Dn: n/a	Wall Thickness: 8" Floor Height: 8"	Height (Int): 30" Height (Ext): 38"	Weight (Net): 3129 lb Volume (Net): 0.8cu.yd
----------------------------------	-------------------------------	--	--	---