

Job Name: 25-3462 - Corvette Museum Material
Job Location: Bowling Green, KY
Contractor: National Corvette Museum c/o Scotty's Contracting

PC: C. Goff
 TECH: J. Horsley - F
 Plant: 100



Structure ID: DI-6
 Spec: Storm
 Type: STM.MH (Recessed pipe)
 Size: 48"

Rim: 503.2'
 Invert: 498.78'
 Rim to Invert: 4.42'

Sump: 0"
 Floor (Top): 498.78'
 Floor Height: 6"

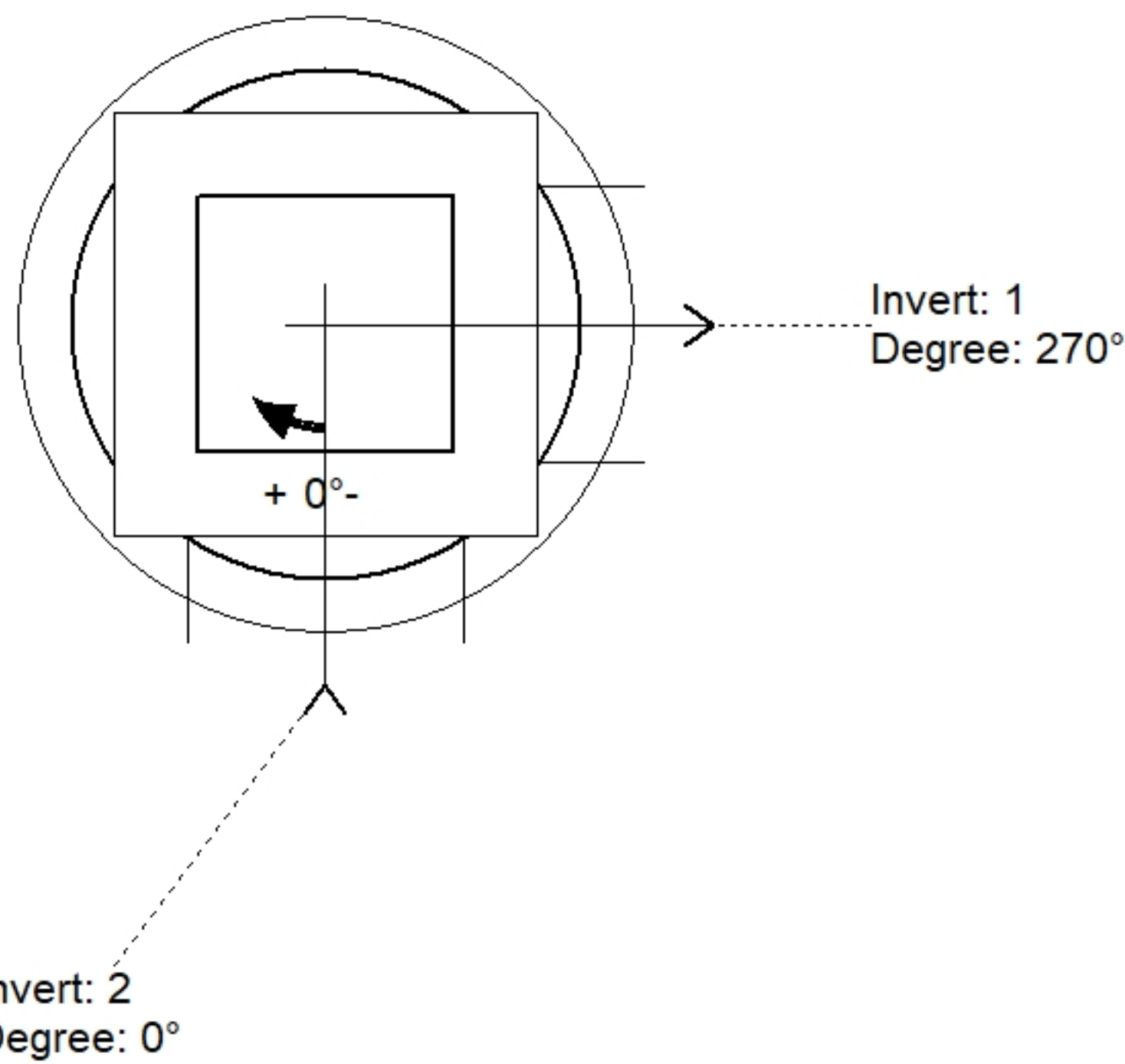
Floor (Bot): 498.28'
 Overall Height: 4.917'
 Slack: 0.04"

Structure Notes:

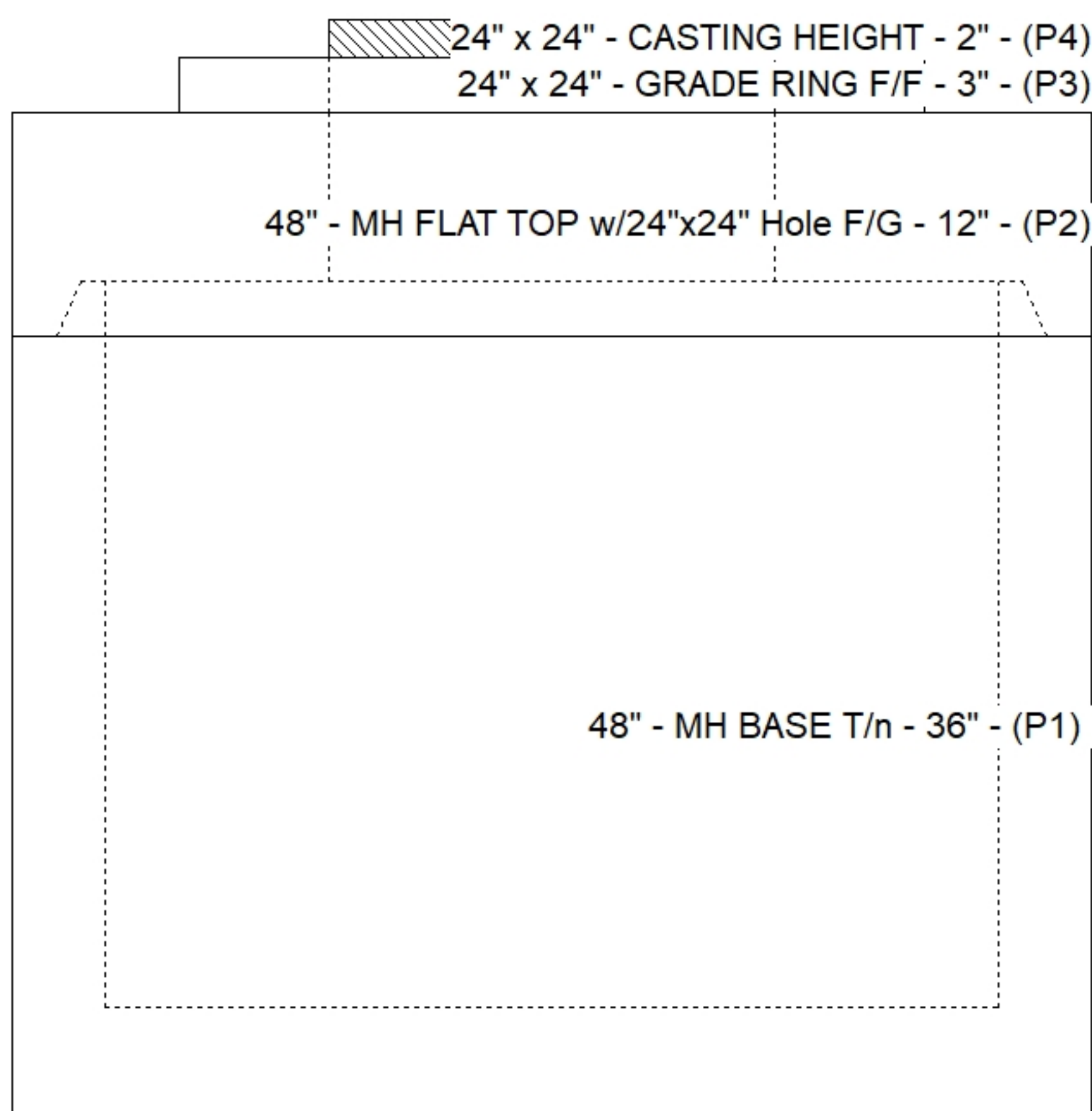
- PER ASTM C478 SPECIFICATIONS.
 - CONCRETE = 4,000 PSI AT 28 DAYS.
 - NO STEPS AND NO INVERT CHANNEL.
 - CASTING BY I-CAST (JBS 4190-L F/G).
- REINFORCING PER ASTM A615 (GRADE 60).
 - TOP SLAB (As .62) #5 BARS AT 6" C.C.E.W..
 - RISER/WALLS (As .12)
 - FLOOR (As .31) #5 BARS AT 12" C.C.E.W.

STRUCTURE SUMMARY:

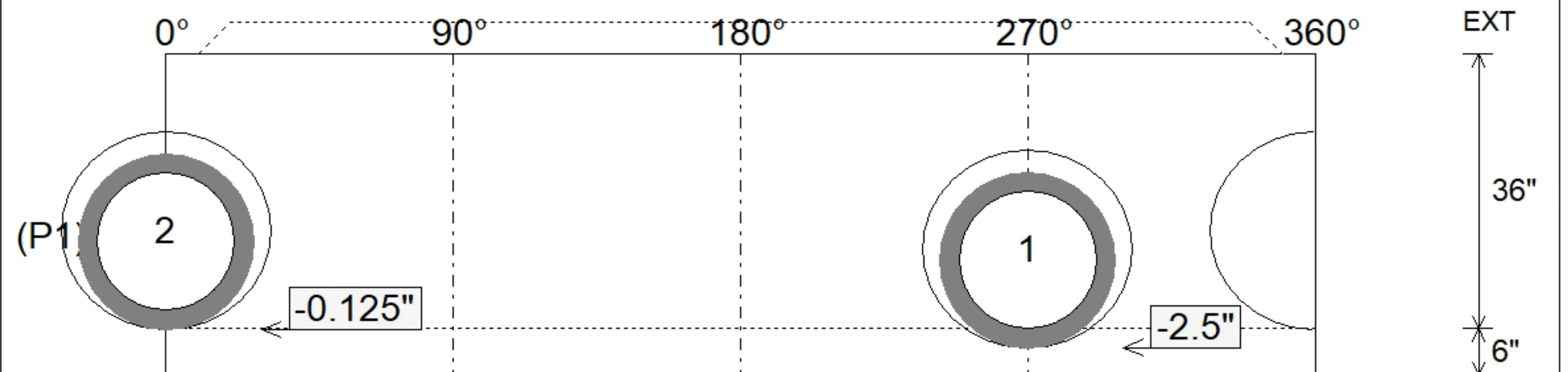
P4) 24" x 24" - CASTING HEIGHT - 2"	0 lb
P3) 24" x 24" - GRADE RING F/F - 3"	258 lb
P2) 48" - MH FLAT TOP w/24"x24" Hole F/G - 12"	1500 lb
P1) 48" - MH BASE T/n - 36"	3482 lb
1) CASTING - JBS 4190-L F/G	335 lb
1) 48" - Conseal CS-102 1.00"	0 lb
2) 24" x 24" - Conseal CS-102 1.00"	0 lb
2) Hole - 26	0 lb
Structure Total:	5574 lb



Position	Elev	Angle	Pipe	Pipe OD	Hole	Connector	Up (Δ)	Ref
Rim	503.2'							
Reducer								
Invert 1	498.78'	270°	18" RCP B WALL	23"	26"	Hole 26	-2.5"	P1
Invert 2	498.98'	0°	18" RCP B WALL	23"	26"	Hole 26	-0.125"	P1
Invert 3								
Invert 4								
Invert 5								
Invert 6								
Invert 7								
Invert 8								



Cast (Int. Dim.) - Interior Dimensions



Submittal Drawing
 12/8/2025 3:15:04 PM

SUBMITTAL
 APPROVED BY: