

Job Name: 25-3462 - Corvette Museum Material
Job Location: Bowling Green, KY
Contractor: National Corvette Museum c/o Scotty's Contracting

PC: C. Goff
 TECH: J. Horsley - F
 Plant: 100



Structure ID: DI-3
 Spec: Storm
 Type: STM.MH (Recessed pipe)
 Size: 60"

Rim: 504.03'
 Invert: 497.85'
 Rim to Invert: 6.18'

Sump: 0"
 Floor (Top): 497.85'
 Floor Height: 8"

Floor (Bot): 497.183'
 Overall Height: 6.833'
 Slack: 0.16"

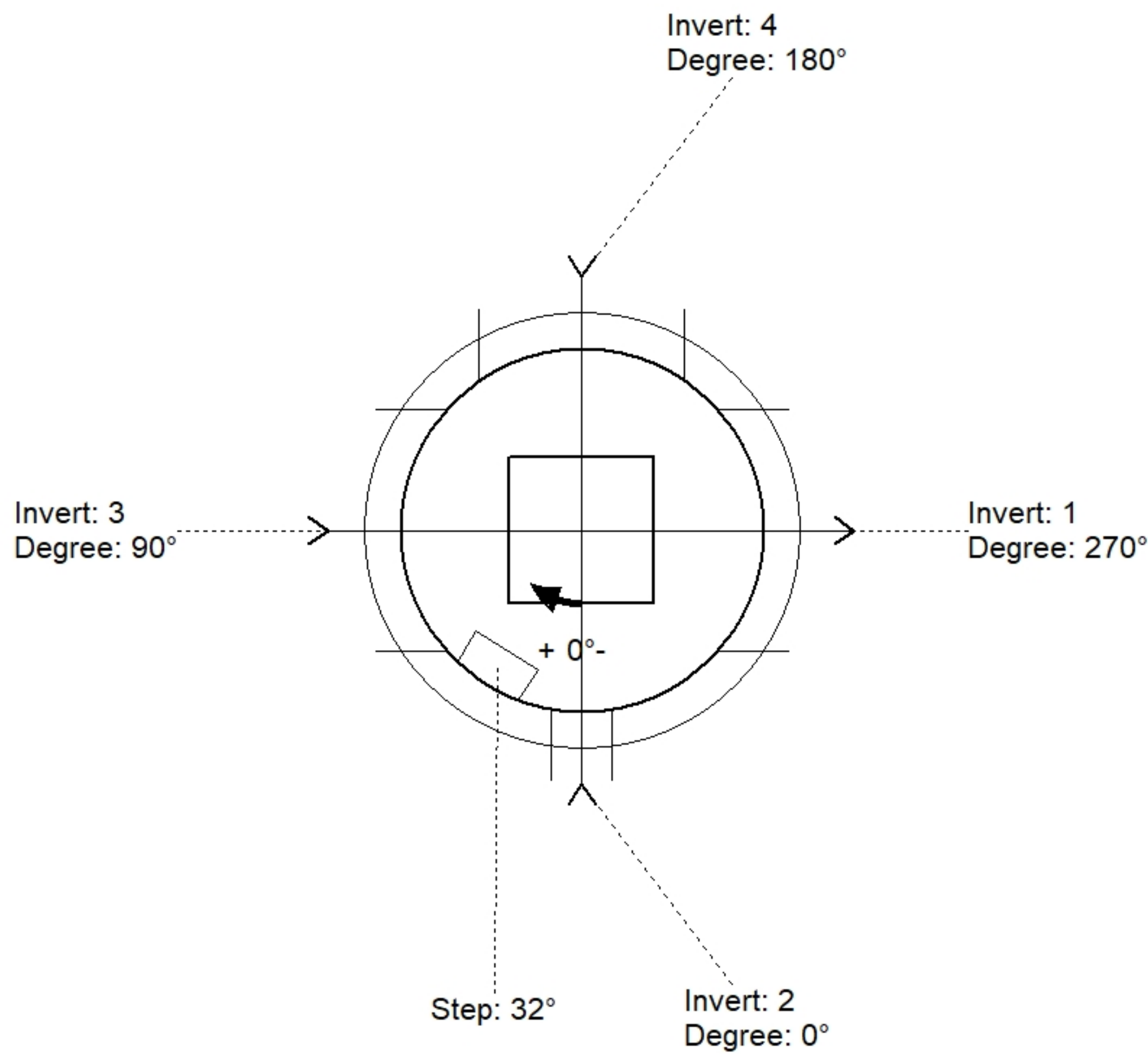
Structure Notes:

1. PER ASTM C478 SPECIFICATIONS.
2. CONCRETE = 4,000 PSI AT 28 DAYS.
3. NO INVERT CHANNEL.
4. CASTING BY I-CAST (JBS 4190-L F/G).

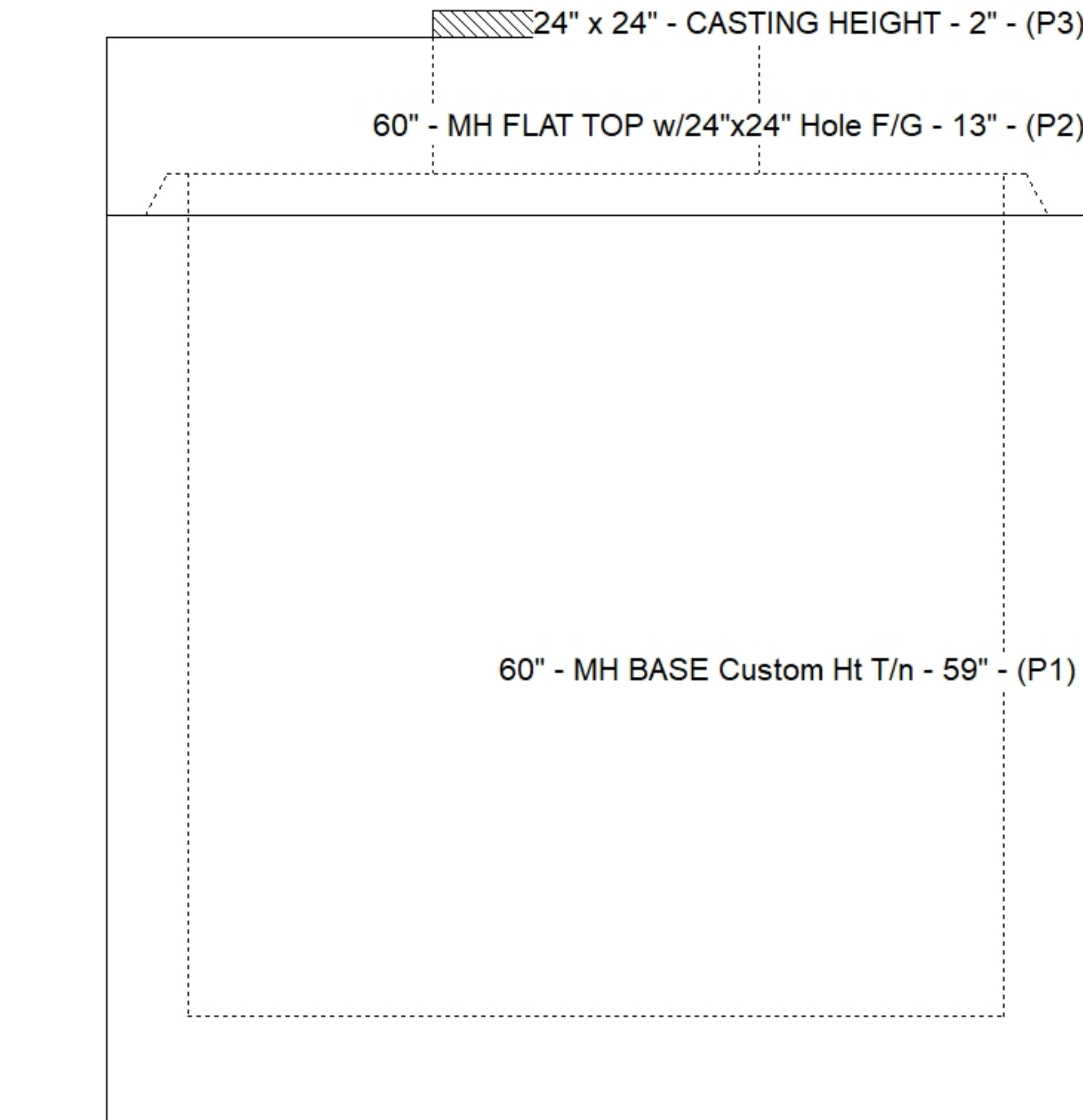
REINFORCING PER ASTM A615 (GRADE 60).
 - TOP SLAB (As .62) #5 BARS AT 6" C.C.E.W..
 - RISER/WALLS (As .18)
 - FLOOR (As .37) #5 BARS AT 10" C.C.E.W.

STRUCTURE SUMMARY:

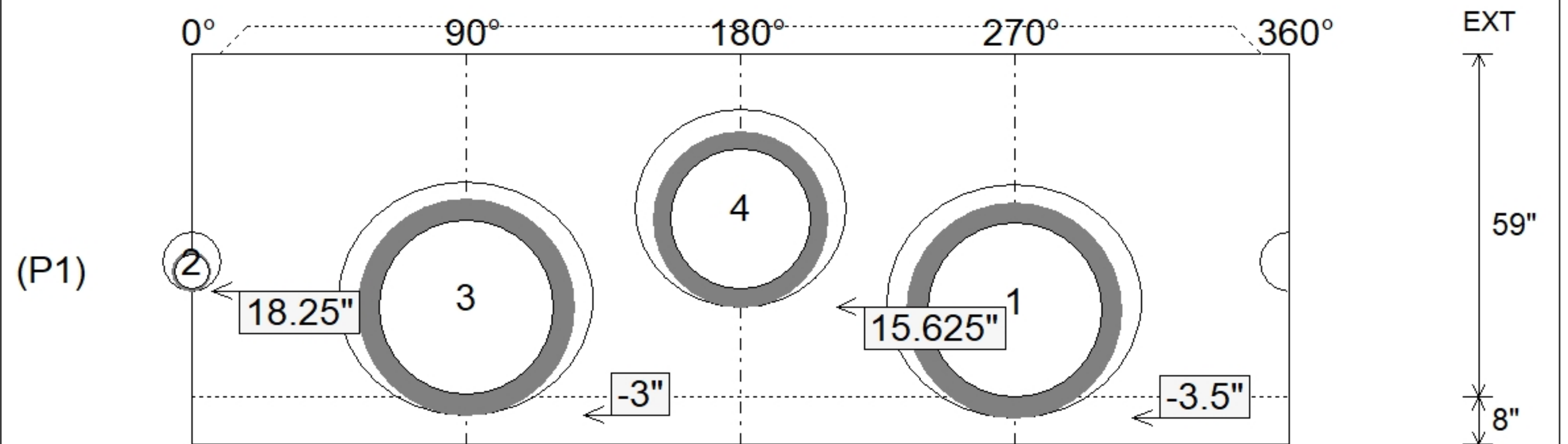
P3) 24" x 24" - CASTING HEIGHT - 2"	0 lb
P2) 60" - MH FLAT TOP w/24"x24" Hole F/G - 13"	2619 lb
P1) 60" - MH BASE Custom Ht T/n - 59"	7008 lb
1) CASTING - JBS 4190-L F/G	335 lb
1) 60" - Conseal CS-102 1.00"	0 lb
1) 24" x 24" - Conseal CS-102 1.00"	0 lb
2) Hole - 40	0 lb
1) Hole - 10	0 lb
1) Hole - 34	0 lb
5) MH Step ML-10-TDS-NCR - 10"	0 lb
Structure Total:	9962 lb



Position	Elev	Angle	Pipe	Pipe OD	Hole	Connector	Up (")	Ref
Rim	504.03'							
Reducer								
Invert 1	497.85'	270°	30" RCP B WALL	37"	40"	Hole 40	-3.5"	P1
Invert 2	499.4'	0°	6" PVC SCH40	6.625"	10"	Hole 10	18.25"	P1
Invert 3	497.89'	90°	30" RCP B WALL	37"	40"	Hole 40	-3"	P1
Invert 4	499.4'	180°	24" RCP B WALL	30"	34"	Hole 34	15.625"	P1
Invert 5								
Invert 6								
Invert 7								
Invert 8								



Cast (Int. Dim.) - Interior Dimensions



Submittal Drawing
 12/8/2025 3:15:08 PM

SUBMITTAL
 APPROVED BY: