

**Structure ID: DI-3**

**P1 MH060BAVF**

**MH BASE Custom Ht T/n**

P3) 24" x 24" - CASTING HEIGHT - 2" P2) 60" - MH FLAT TOP w/24"x24" Hole F/G - 13" P1) 60" - MH BASE Custom Ht T/n - 59" 1) CASTING - JBS 4190-L F/G 1) 60" - Conseal CS-102 1.00" 1) 24" x 24" - Conseal CS-102 1.00" 2) Hole - 40 1) Hole - 10 1) Hole - 34 5) MH Step ML-10-TDS-NCR - 10"	0 lb 2619 lb 7008 lb 335 lb 0 lb 0 lb 0 lb 0 lb 0 lb 0 lb 0 lb 0 lb ----- Structure Total: 9962 lb
---	---

**Structure Notes:**

1. PER ASTM C478 SPECIFICATIONS.
2. CONCRETE = 4,000 PSI AT 28 DAYS.
3. NO INVERT CHANNEL.
4. CASTING BY I-CAST (JBS 4190-L F/G).

REINFORCING PER ASTM A615 (GRADE 60).

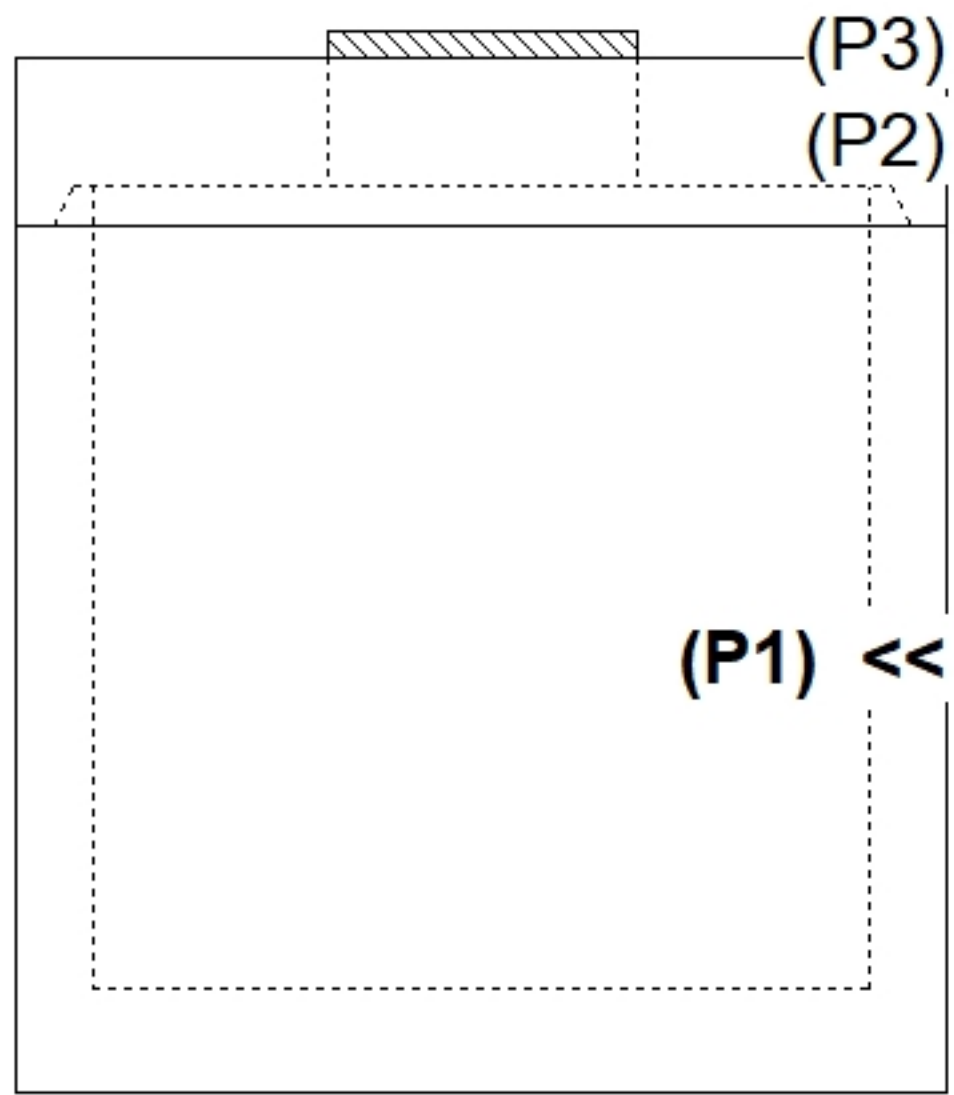
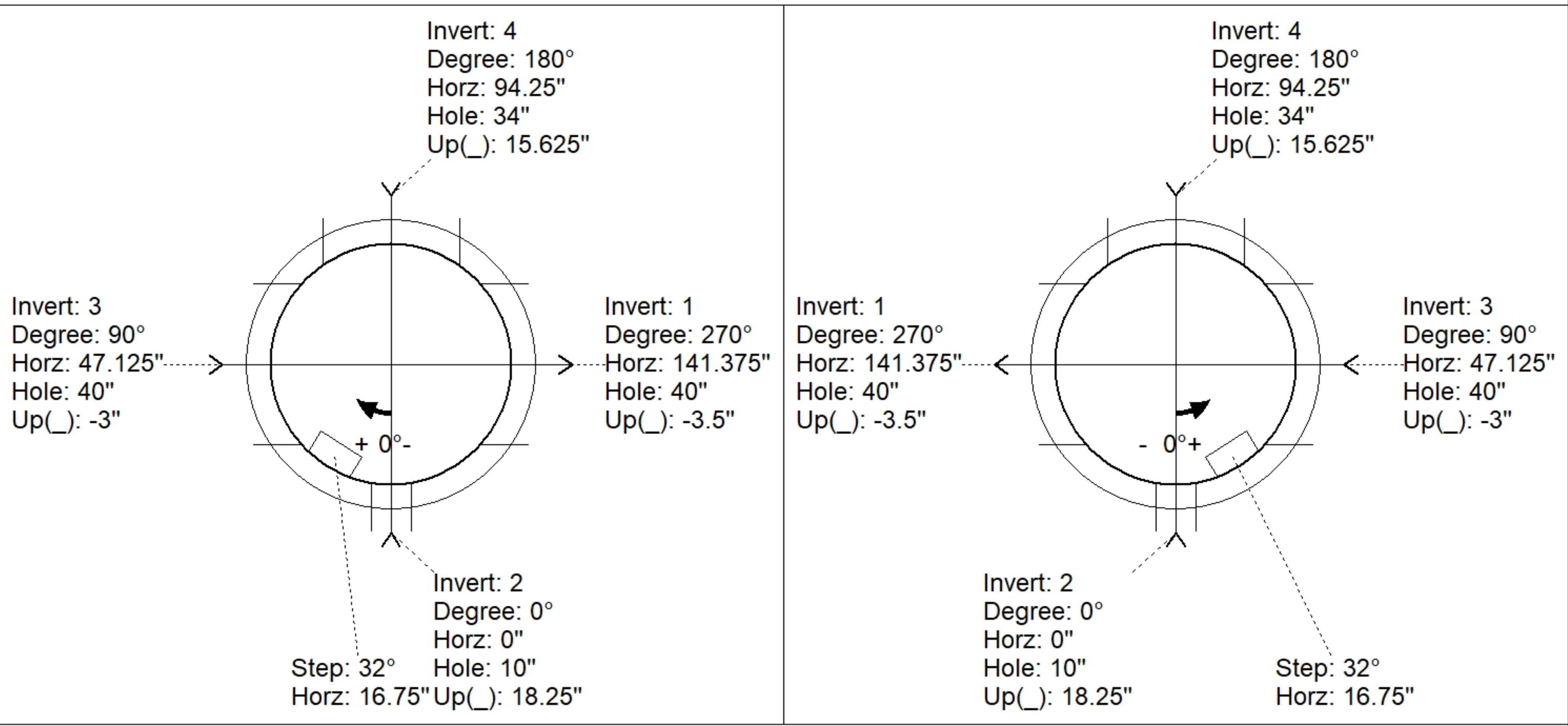
- TOP SLAB (As .62) #5 BARS AT 6" C.C.E.W..
- RISER/WALLS (As .18)
- FLOOR (As .37) #5 BARS AT 10" C.C.E.W.

Rim: 504.03'    Rim to Invert: 6.18'    Slack: 0.16"    Sump: 0"    Step Position: 32°

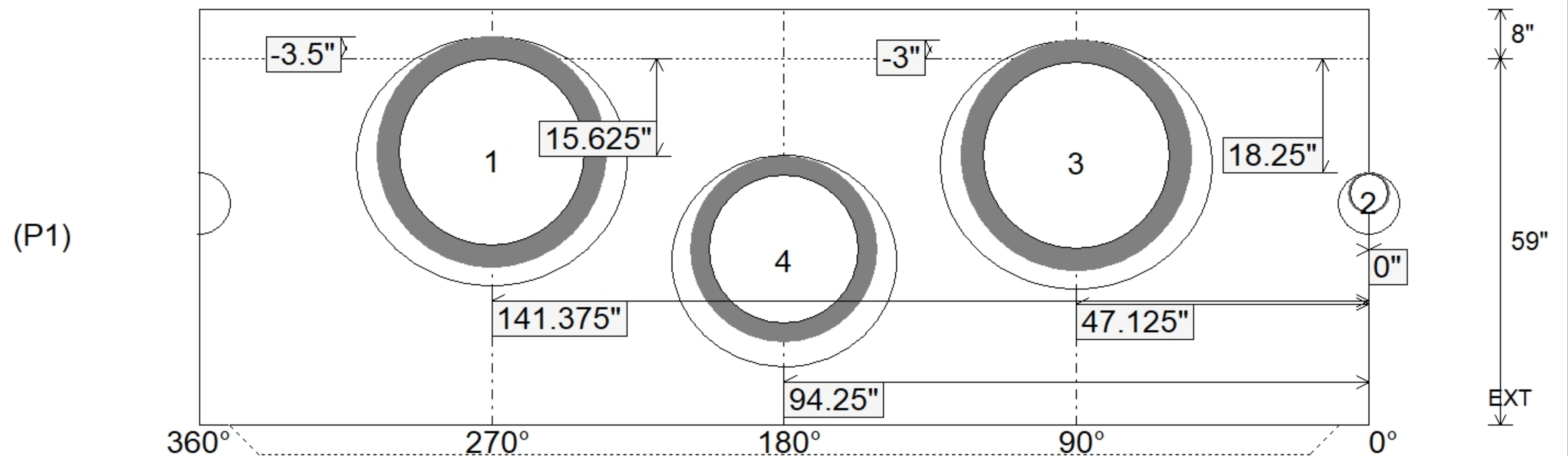
Position	Elev	Angle	Ext. (cw)	Pipe	Pipe OD	Connector	Hole	Horz Size	Up ( )	Offset
Invert 1	497.85'	270°	169.625"	30" RCP B WALL	37"	Hole 40	40"	43.784"	-3.5"	0"
Invert 2	499.4'	0°	0"	6" PVC SCH40	6.625"	Hole 10	10"	10.047"	18.25"	0"
Invert 3	497.89'	90°	56.5"	30" RCP B WALL	37"	Hole 40	40"	43.784"	-3"	0"
Invert 4	499.4'	180°	113.125"	24" RCP B WALL	30"	Hole 34	34"	36.147"	15.625"	0"
Invert 5										
Invert 6										
Invert 7										
Invert 8										

RIGHT-SIDE UP VIEW (int. dimensions)

UPSIDE-DOWN VIEW (int. dimensions)



INSIDE WALL DIMENSIONS



Coating (Int):	Seam Up: Tongue	Wall Thickness: 6"	Height (Int): 59"
Coating (Ext):	Seam Dn: n/a	Floor Height: 8"	Height (Ext): 67"
		Weight (Net): 7008 lb	
		Volume (Net): 1.79cu.yd	