

Job Name: 25-3462 - Corvette Museum Material
Job Location: Bowling Green, KY
Contractor: National Corvette Museum c/o Scotty's Contracting

PC: C. Goff
 TECH: J. Horsley - F
 Plant: 100



Structure ID: DI-2
 Spec: Storm
 Type: STM.MH (Recessed pipe)
 Size: 60"

Rim: 500.84'
 Invert: 496.8'
 Rim to Invert: 4.04'

Sump: 0"
 Floor (Top): 496.8'
 Floor Height: 8"

Floor (Bot): 496.133'
 Overall Height: 4.667'
 Slack: 0.48"

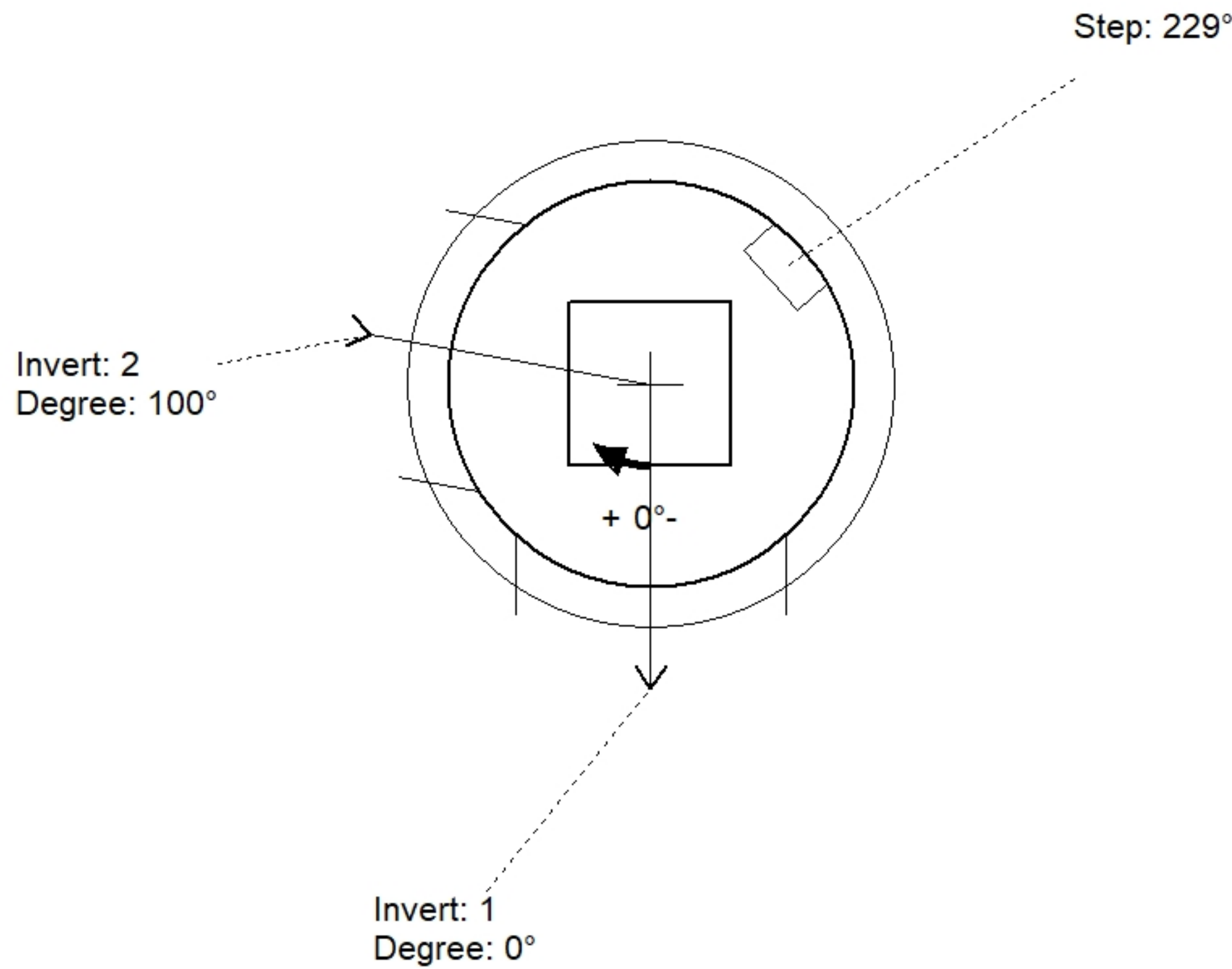
Structure Notes:

1. PER ASTM C478 SPECIFICATIONS.
2. CONCRETE = 4,000 PSI AT 28 DAYS.
3. NO INVERT CHANNEL.
4. CASTING BY I-CAST (JBS 4190-L F/G).

REINFORCING PER ASTM A615 (GRADE 60).
 - TOP SLAB (As .62) #5 BARS AT 6" C.C.E.W..
 - RISER/WALLS (As .18)
 - FLOOR (As .37) #5 BARS AT 10" C.C.E.W.

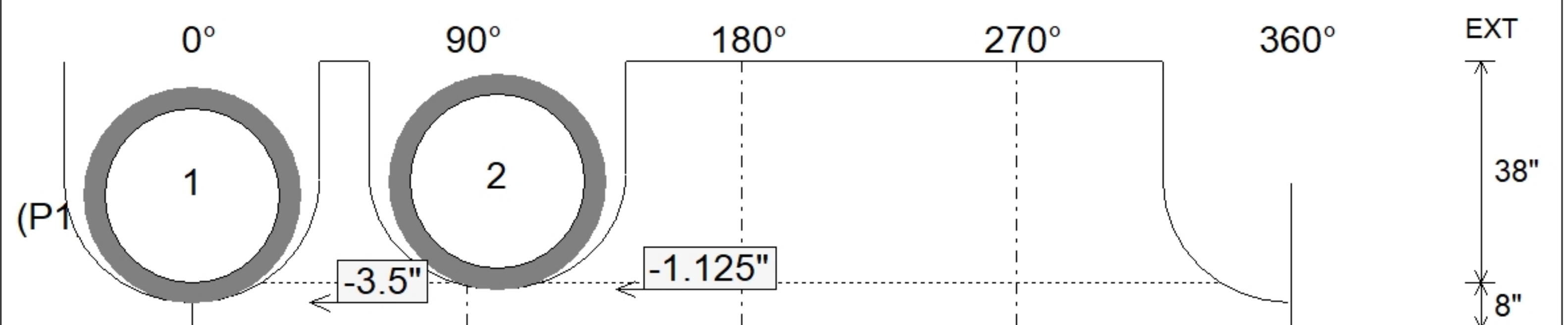
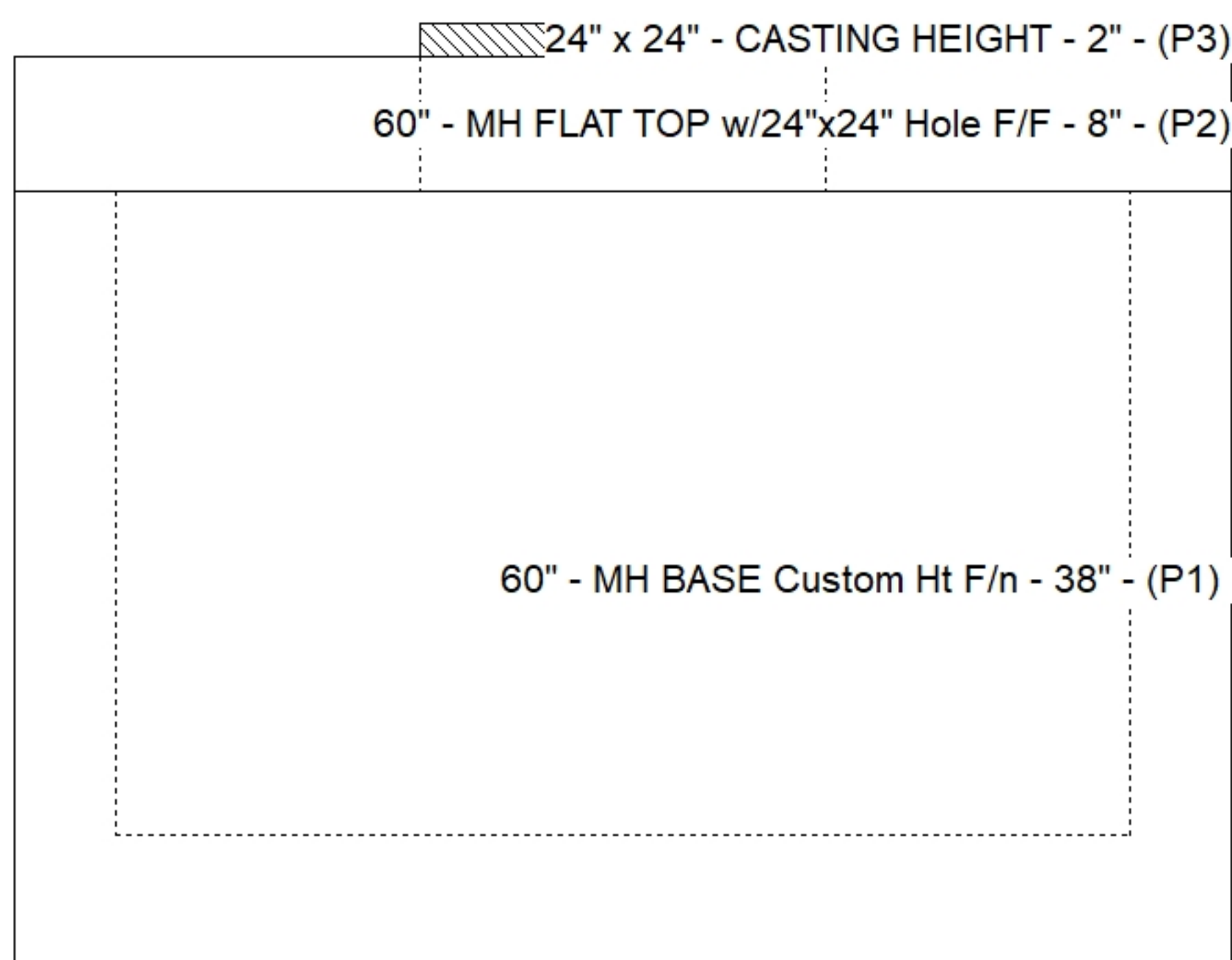
STRUCTURE SUMMARY:

P3) 24" x 24" - CASTING HEIGHT - 2"	0 lb
P2) 60" - MH FLAT TOP w/24"x24" Hole F/F - 8"	2347 lb
P1) 60" - MH BASE Custom Ht F/n - 38"	5139 lb
1) CASTING - JBS 4190-L F/G	335 lb
1) 60" - Conseal CS-102 1.00"	0 lb
1) 24" x 24" - Conseal CS-102 1.00"	0 lb
1) DOGHOUSE INVRTD - 40"x41.50"	0 lb
1) DOGHOUSE INVRTD - 40"x39"	0 lb
3) MH Step ML-10-TDS-NCR - 10"	0 lb
Structure Total:	7820 lb



Position	Elev	Angle	Pipe	Pipe OD	Hole	Connector	Up ()	Ref
Rim	500.84'							
Reducer								
Invert 1	496.8'	0°	30" RCP B WALL	37"	40" x 41.5"	DOGHOUSE INVRTD 40"x41.50"	-3.5"	P1
Invert 2	497'	100°	30" RCP B WALL	37"	40" x 39"	DOGHOUSE INVRTD 40"x39"	-1.125"	P1
Invert 3								
Invert 4								
Invert 5								
Invert 6								
Invert 7								
Invert 8								

Cast (Int. Dim.) - Interior Dimensions



Submittal Drawing
 12/8/2025 3:15:08 PM

SUBMITTAL
 APPROVED BY: