

Job Name: 25-3462 - Corvette Museum Material	Plant: 100	Tech: J. Horsley - F	
Job Location: Bowling Green, KY	12/8/2025 3:15:27 PM	PC: C. Goff	
Contractor: National Corvette Museum c/o Scotty's Contracting			

Structure ID: DI-2

P1 MH060BAVF

MH BASE Custom Ht F/n

P3) 24" x 24" - CASTING HEIGHT - 2"	0 lb
P2) 60" - MH FLAT TOP w/24"x24" Hole F/F - 8"	2347 lb
P1) 60" - MH BASE Custom Ht F/n - 38"	5139 lb
1) CASTING - JBS 4190-L F/G	335 lb
1) 60" - Conseal CS-102 1.00"	0 lb
1) 24" x 24" - Conseal CS-102 1.00"	0 lb
1) DOGHOUSE INVRTD - 40"x41.50"	0 lb
1) DOGHOUSE INVRTD - 40"x39"	0 lb
3) MH Step ML-10-TDS-NCR - 10"	0 lb
Structure Total:	7820 lb

Structure Notes:

- PER ASTM C478 SPECIFICATIONS.
- CONCRETE = 4,000 PSI AT 28 DAYS.
- NO INVERT CHANNEL.
- CASTING BY I-CAST (JBS 4190-L F/G).

REINFORCING PER ASTM A615 (GRADE 60).

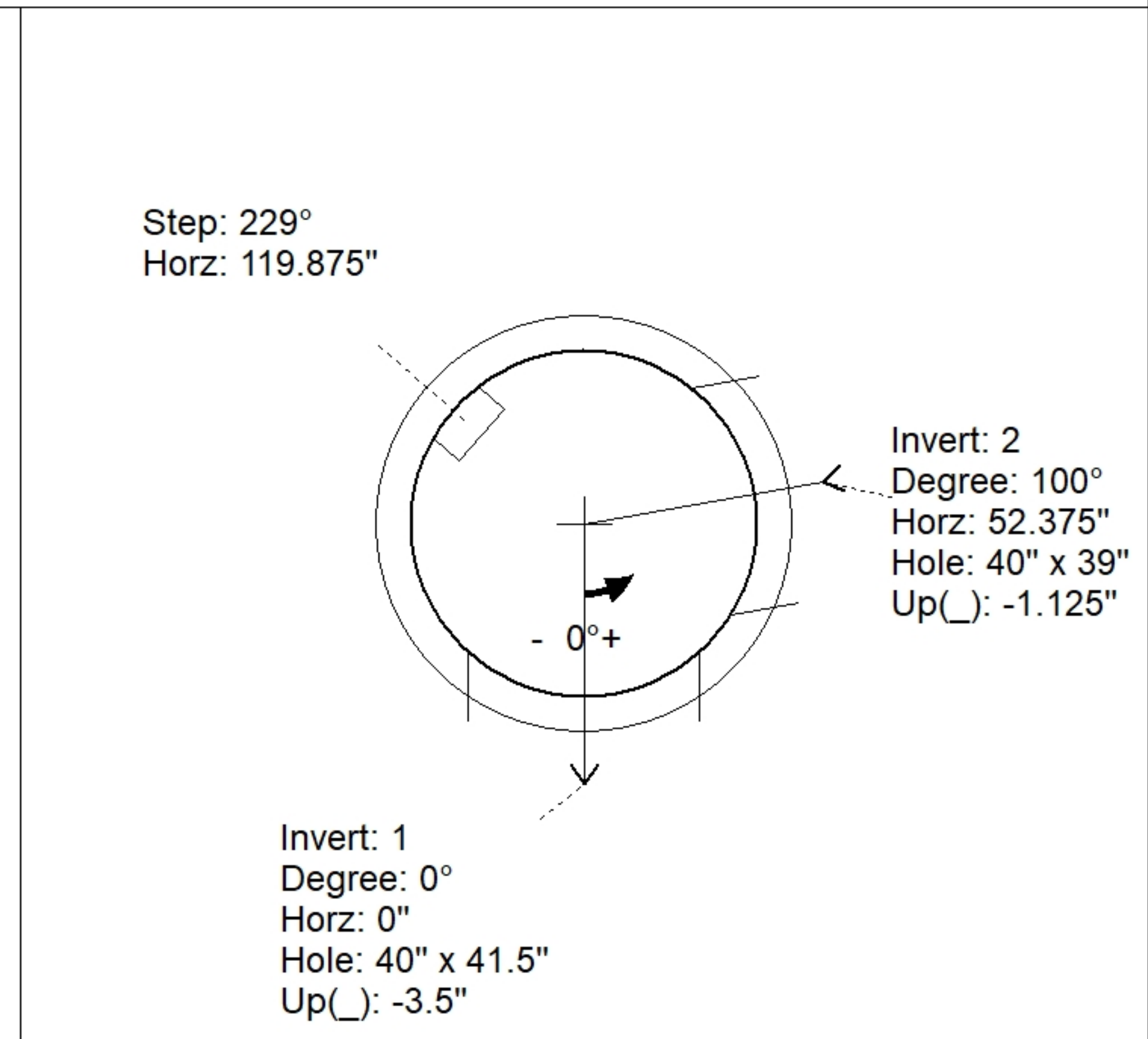
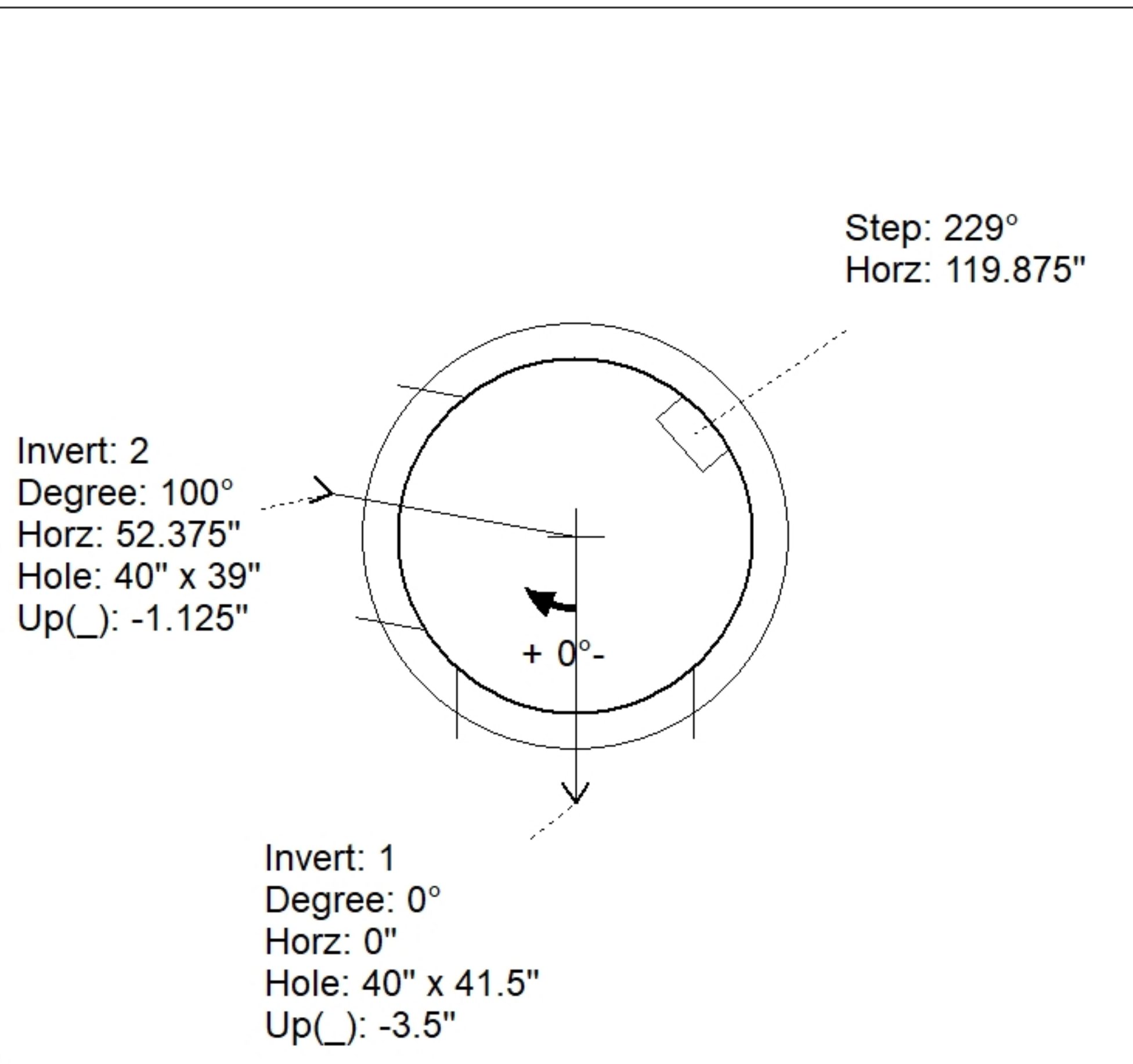
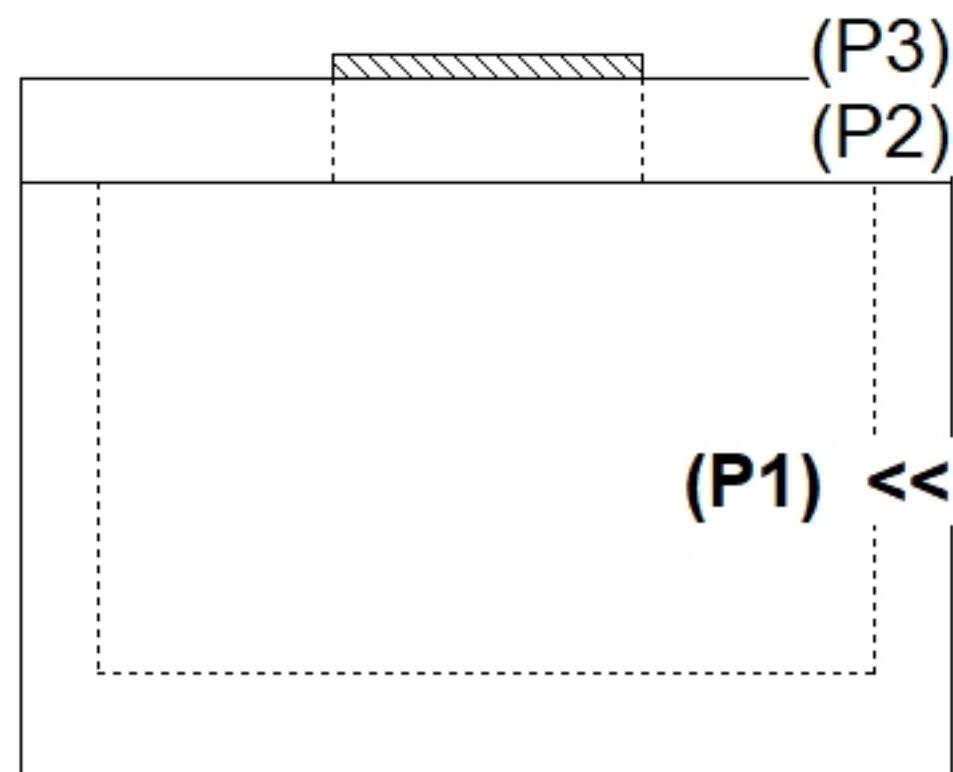
- TOP SLAB (As .62) #5 BARS AT 6" C.C.E.W..
- RISER/WALLS (As .18)
- FLOOR (As .37) #5 BARS AT 10" C.C.E.W.

Rim: 500.84' Rim to Invert: 4.04' Slack: 0.48" Sump: 0" Step Position: 229°

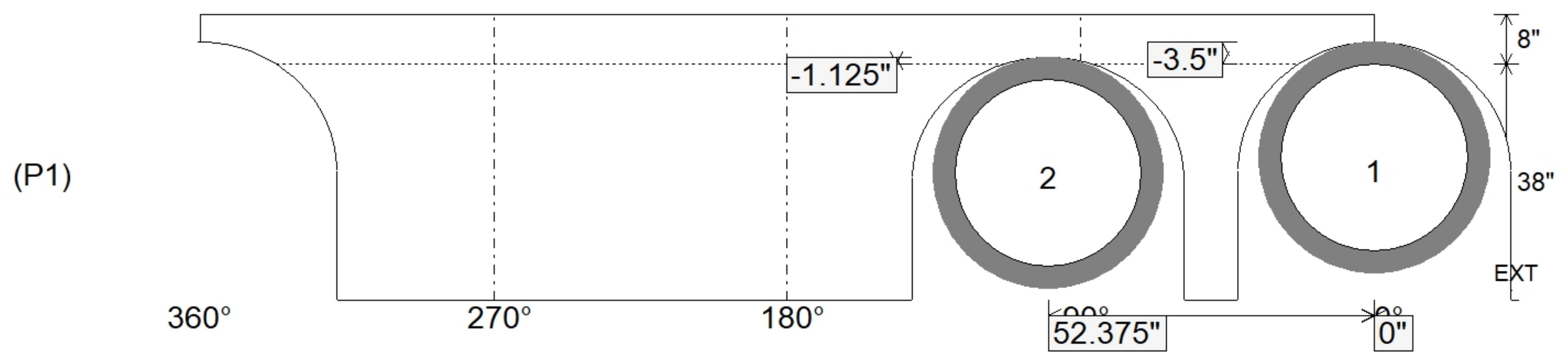
Position	Elev	Angle	Ext. (cw)	Pipe	Pipe OD	Connector	Hole	Horz Size	Up ()	Offset
Invert 1	496.8'	0°	0"	30" RCP B WALL	37"	DOGHOUSE INVRTD 40"x41.50"	40" x 41.5"	43.784"	-3.5"	0"
Invert 2	497'	100°	62.875"	30" RCP B WALL	37"	DOGHOUSE INVRTD 40"x39"	40" x 39"	43.784"	-1.125"	0"
Invert 3										
Invert 4										
Invert 5										
Invert 6										
Invert 7										
Invert 8										

RIGHT-SIDE UP VIEW (int. dimensions)

UPSIDE-DOWN VIEW (int. dimensions)



INSIDE WALL DIMENSIONS



Coating (Int):	Seam Up: Flat	Wall Thickness: 6"	Height (Int): 38"	Weight (Net): 5139 lb
Coating (Ext):	Seam Dn: n/a	Floor Height: 8"	Height (Ext): 46"	Volume (Net): 1.31cu.yd