

Job Name: 25-3459 Raceland MOB
Job Location: Raceland, KY
Contractor: Allard Excavation, LLC.

PC: Erica Bradley
 TECH: J. Horsley-A
 Plant: 100



Structure ID: 330
 Spec: KYTC
 Type: DBI TYPE 11
 Size: 24" x 30"

Rim: 582.36'
 Invert: 580.66'
 Rim to Invert: 1.7'

Sump: 0"
 Floor (Top): 580.66'
 Floor Height: 8"

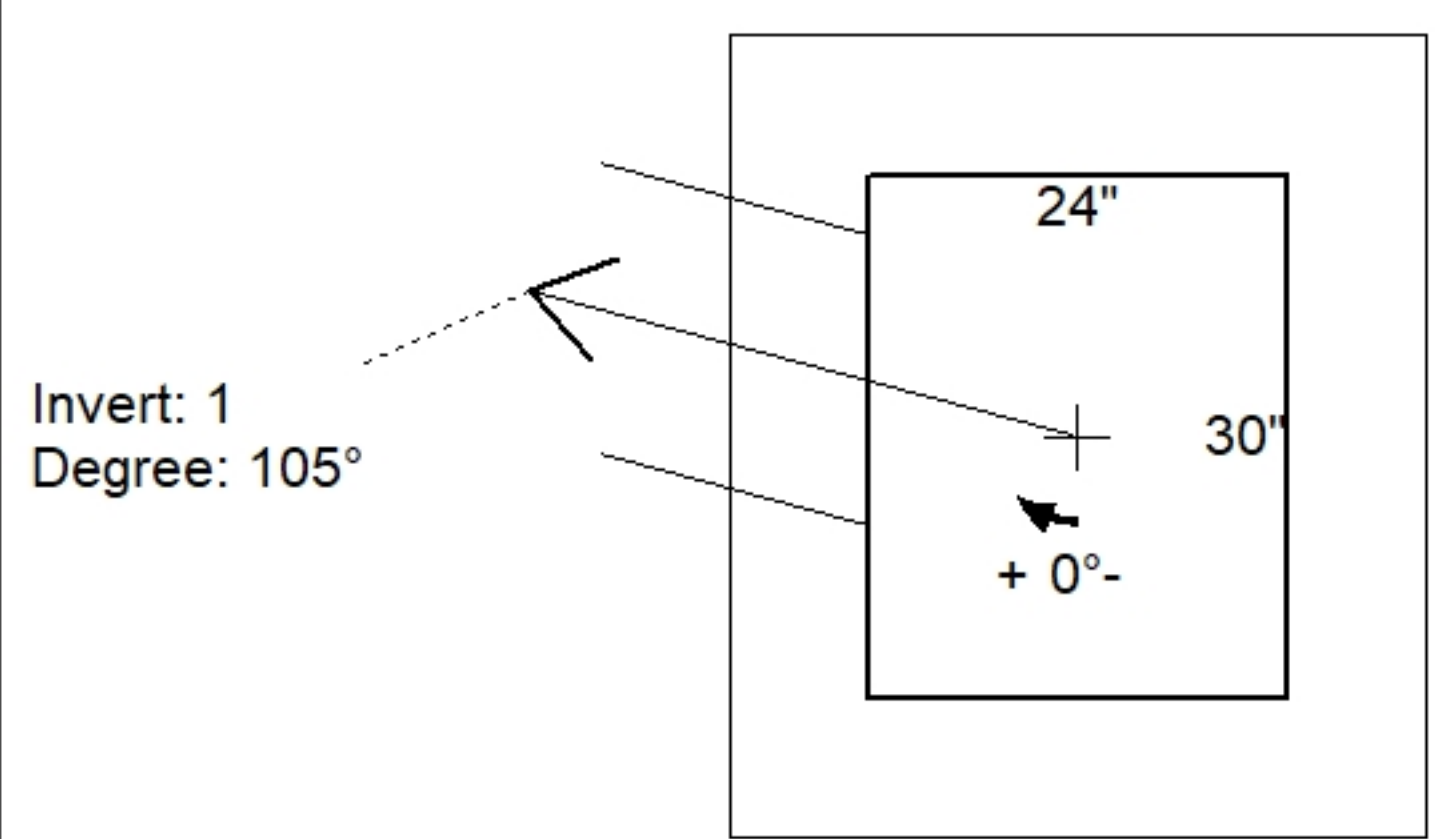
Floor (Bot): 579.993'
 Overall Height: 2.313'
 Slack: 0.65"

Structure Notes:
 KYTC STATE PROJECT
 1. CASTING: HOE KY-460-11F/G PROVIDED BY ICAST.
 2. KYTC DBI TYPE 11 / ASTM C-913 SPEC'S.
 3. CONCRETE = 4,000 PSI AT 28 DAYS.
 4. NO INVERT CHANNEL.
 5. NO STEPS.

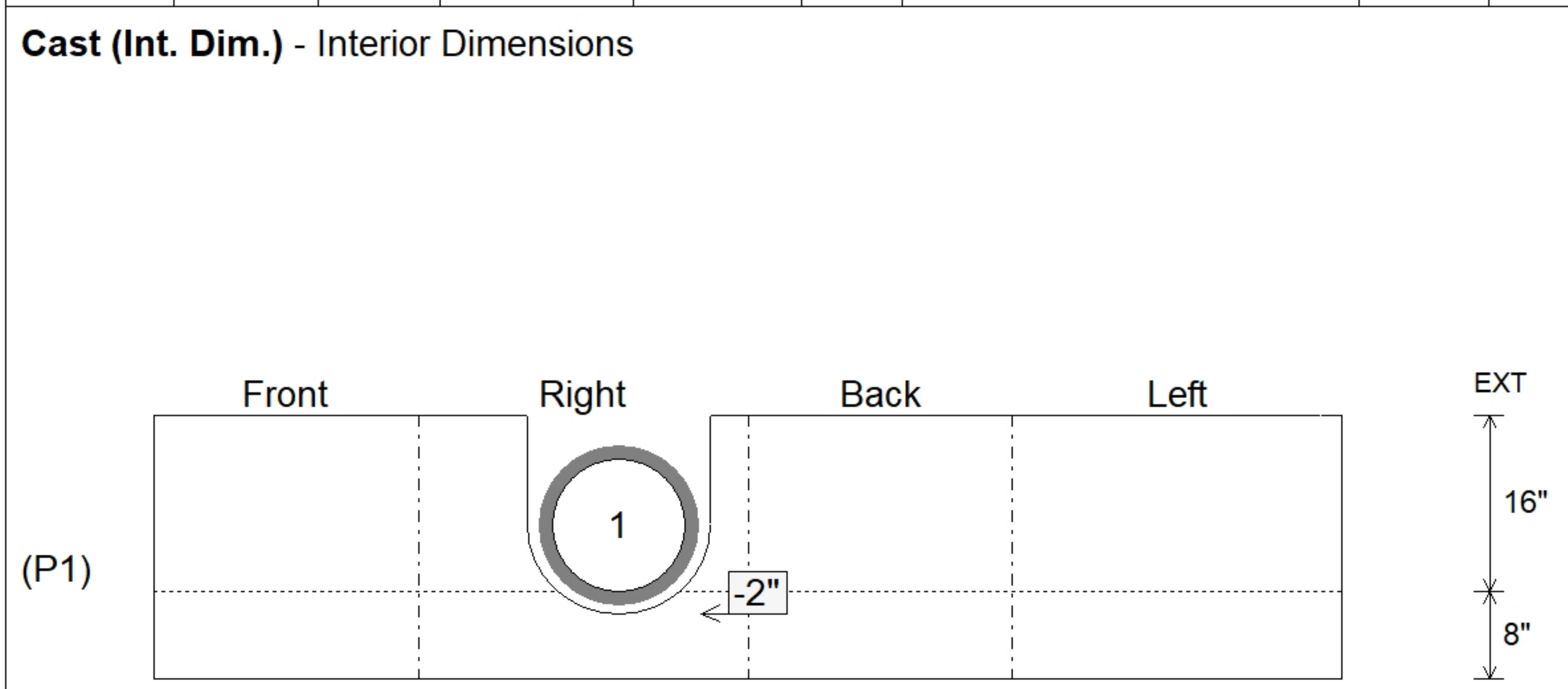
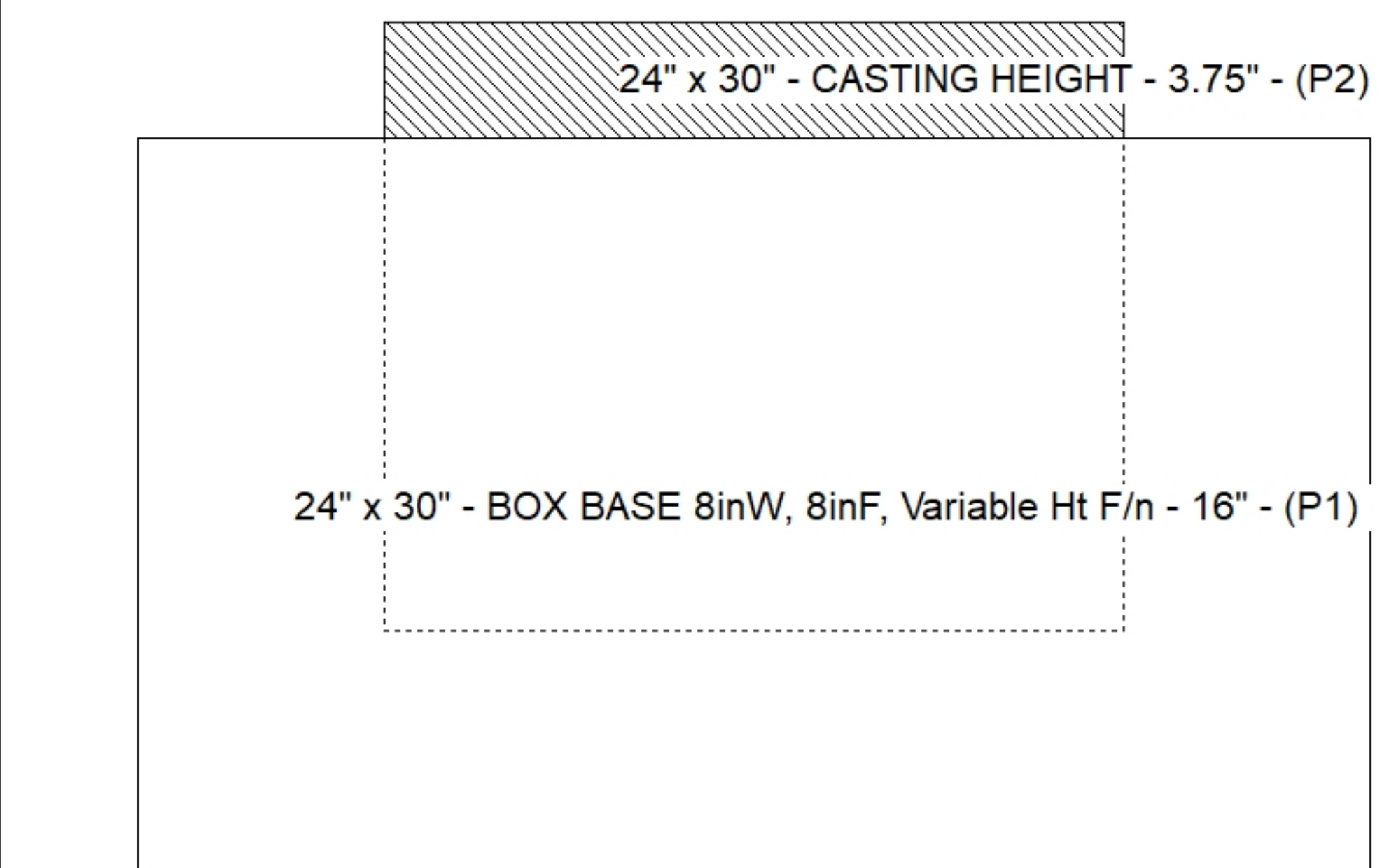
REINFORCING PER ASTM A615 (GRADE 60).
 - WALLS (As .31) #5 BARS AT 12" C.C.E.W..
 - FLOOR (As .31) #5 BARS AT 12" C.C.E.W.

STRUCTURE SUMMARY:

P2) 24" x 30" - CASTING HEIGHT - 3.75"	0 lb
P1) 24" x 30" - BOX BASE 8inW, 8inF, Variable Ht F/n - 16"	2558 lb
1) CASTING - HOE KY-460-11 F/G (DBI 11)	421 lb
1) 24" x 30" - Conseal CS-102 1.00"	0 lb
1) DOGHOUSE INVRTD - 16"	0 lb
Structure Total:	2979 lb



Position	Elev	Angle	Pipe	Pipe OD	Hole	Connector	Up (")	Ref
Rim	582.36'							
Reducer								
Invert 1	580.66'	105°	12" HDPE	14.5"	16"	DOGHOUSE INVRTD 16"	-2"	P1
Invert 2								
Invert 3								
Invert 4								
Invert 5								
Invert 6								
Invert 7								
Invert 8								



Submittal Drawing
 11/25/2025 3:42:34 PM

SUBMITTAL
 APPROVED BY: