

Job Name: 25-3459 Raceland MOB	Plant: 100	Tech: J. Horsley-A	
Job Location: Raceland, KY Contractor: Allard Excavation, LLC.	11/25/2025 3:42:57 PM	PC: Erica Bradley	

**Structure ID: 330**

**P1 BX24300808VF**

**BOX BASE 8inW, 8inF, Variable Ht F/n**

P2) 24" x 30" - CASTING HEIGHT - 3.75"	0 lb
P1) 24" x 30" - BOX BASE 8inW, 8inF, Variable Ht F/n - 16"	2558 lb
1) CASTING - HOE KY-460-11 F/G (DBI 11)	421 lb
1) 24" x 30" - Conseal CS-102 1.00"	0 lb
1) DOGHOUSE INVRTD - 16"	0 lb
<b>Structure Total:</b>	<b>2979 lb</b>

**Structure Notes:**  
**\*\*KYTC STATE PROJECT\*\***  
 1. CASTING: HOE KY-460-11F/G PROVIDED BY ICAST.  
 2. KYTC DBI TYPE 11 / ASTM C-913 SPEC'S.  
 3. CONCRETE = 4,000 PSI AT 28 DAYS.  
 4. NO INVERT CHANNEL.  
 5. NO STEPS.

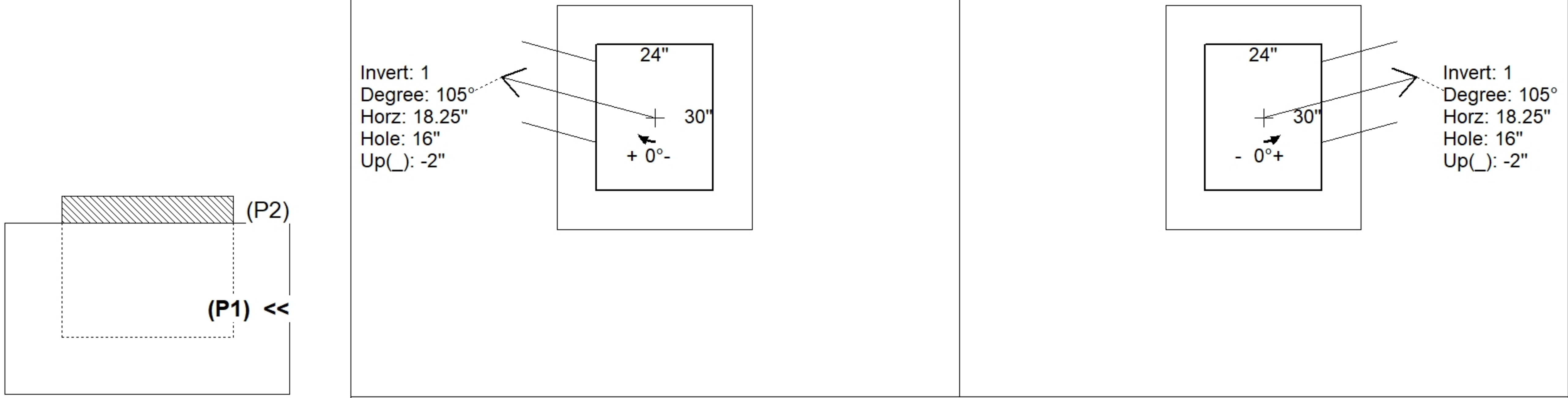
REINFORCING PER ASTM A615 (GRADE 60).  
 - WALLS (As .31) #5 BARS AT 12" C.C.E.W..  
 - FLOOR (As .31) #5 BARS AT 12" C.C.E.W.

Rim: 582.36'    Rim to Invert: 1.7'    Slack: 0.65"    Sump: 0"    Step Position:

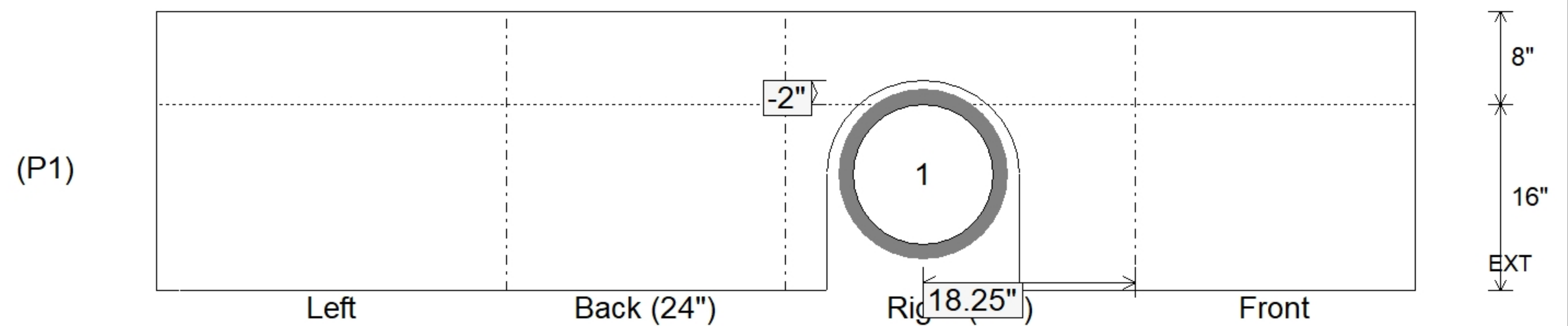
Position	Elev	Angle	Ext. (cw)	Pipe	Pipe OD	Connector	Hole	Horz Size	Up ( )	Offset
Invert 1	580.66'	105°	28.375"	12" HDPE	14.5"	DOGHOUSE INVRTD 16"	16"	16.564"	-2"	0"
Invert 2										
Invert 3										
Invert 4										
Invert 5										
Invert 6										
Invert 7										
Invert 8										

RIGHT-SIDE UP VIEW (int. dimensions)

UPSIDE-DOWN VIEW (int. dimensions)



INSIDE WALL DIMENSIONS



Coating (Int): Coating (Ext):	Seam Up: Flat Seam Dn: n/a	Wall Thickness: 8" Floor Height: 8"	Height (Int): 16" Height (Ext): 24"	Weight (Net): 2558 lb Volume (Net): 0.65cu.yd
----------------------------------	-------------------------------	--	--	--