

Structure ID: 240

P1 BX2424-08BAVF

BOX BASE 8inW, 8inF, Variable Ht F/n

P2) 24" x 24" - CASTING HEIGHT - 5" P1) 24" x 24" - BOX BASE 8inW, 8inF, Variable Ht F/n - 22" 1) CASTING - HOE KY-465 SET (CBI TY F) 1) 24" x 24" - Conseal CS-102 1.00" 1) Hole - 16 3) Hole - 6	0 lb 2764 lb 465 lb 0 lb 0 lb 0 lb ----- Structure Total: 3229 lb
---	--

Structure Notes:
****KYTC STATE PROJECT****
 1. CASTING: HOE KY-465 SET (CBI TY F) PROVIDED BY ICAST.
 2. KYTC CBI TYPE F / ASTM C913 SPECIFICATIONS.
 3. CONCRETE = 4,000 PSI AT 28 DAYS.
 4. NO INVERT CHANNEL.
 5. NO STEPS.

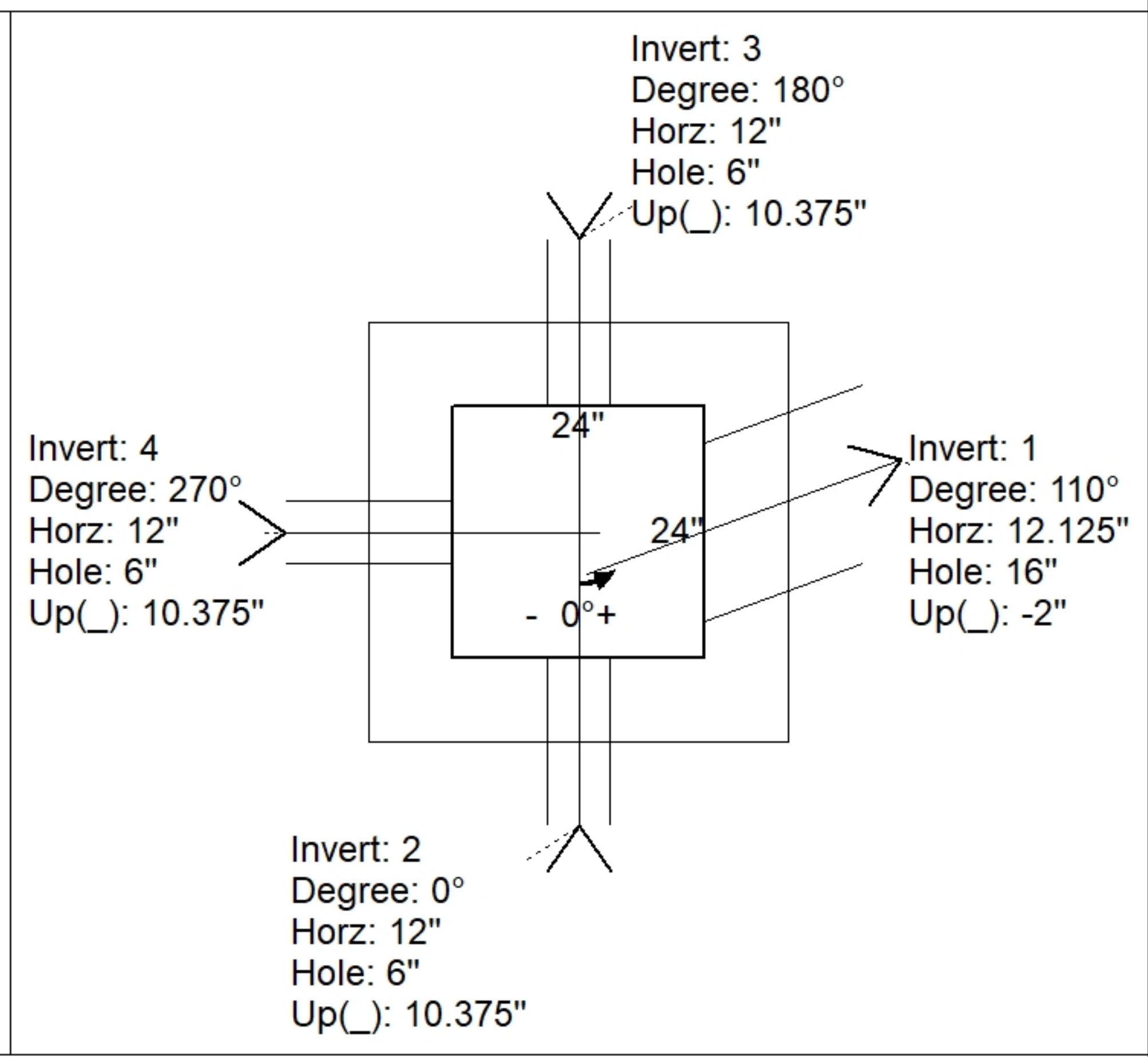
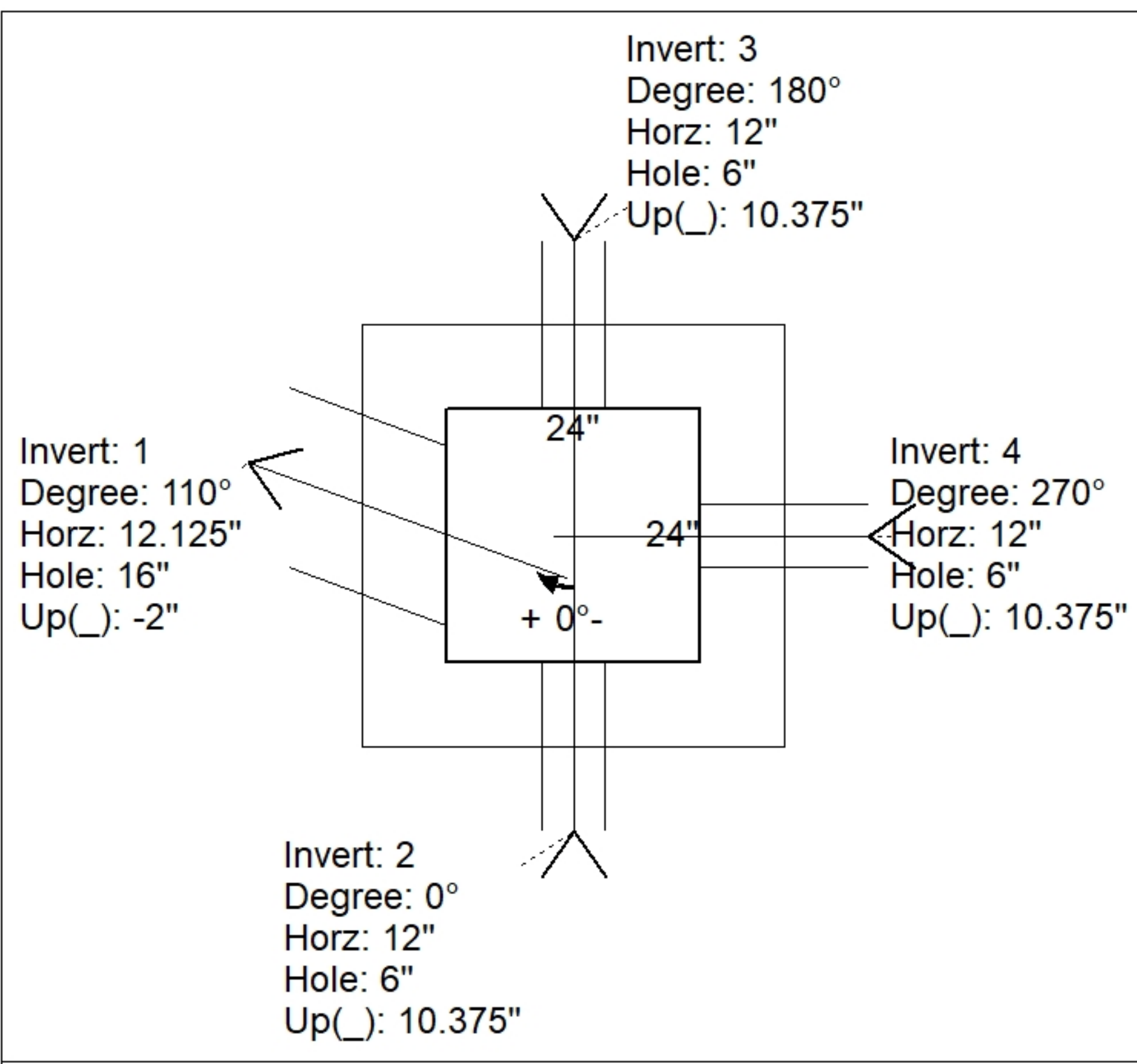
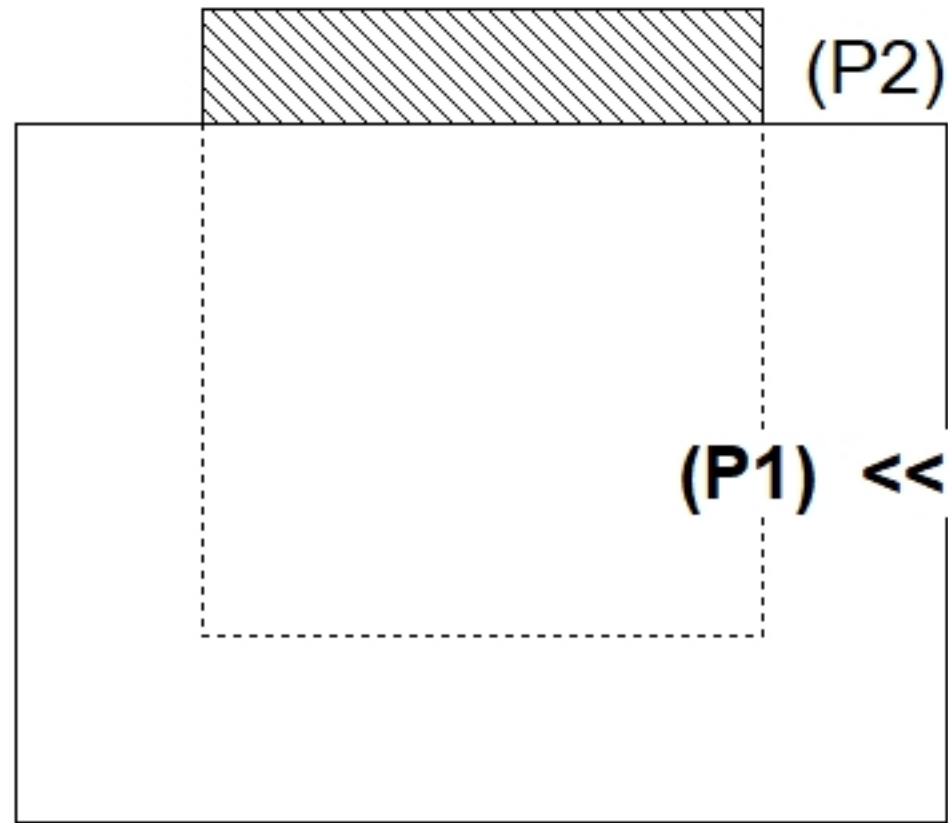
REINFORCING PER ASTM A615 (GRADE 60).
 - WALLS (As .31) #5 BARS AT 12" C.C.E.W.
 - FLOOR (As .31) #5 BARS AT 12" C.C.E.W.

Rim: 582.4' Rim to Invert: 2.25' Slack: 0" Sump: 0" Step Position:

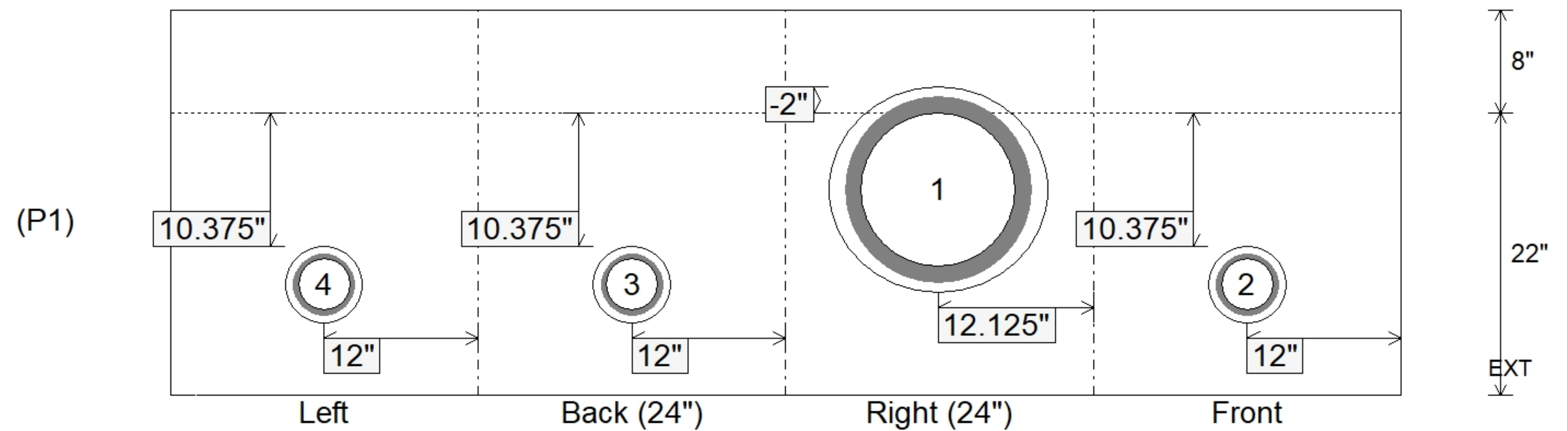
Position	Elev	Angle	Ext. (cw)	Pipe	Pipe OD	Connector	Hole	Horz Size	Up ()	Offset
Invert 1	580.15'	110°	23"	12" HDPE	14.5"	Hole 16	16"	17.027"	-2"	-4"
Invert 2	581.1'	0°	20"	4" HDPE	4.8"	Hole 6	6"	6"	10.375"	0"
Invert 3	581.1'	180°	20"	4" HDPE	4.8"	Hole 6	6"	6"	10.375"	0"
Invert 4	581.1'	270°	20"	4" HDPE	4.8"	Hole 6	6"	6"	10.375"	0"
Invert 5										
Invert 6										
Invert 7										
Invert 8										

RIGHT-SIDE UP VIEW (int. dimensions)

UPSIDE-DOWN VIEW (int. dimensions)



INSIDE WALL DIMENSIONS



Coating (Int): Coating (Ext):	Seam Up: Flat Seam Dn: n/a	Wall Thickness: 8" Floor Height: 8"	Height (Int): 22" Height (Ext): 30"	Weight (Net): 2764 lb Volume (Net): 0.71cu.yd
----------------------------------	-------------------------------	--	--	--