

**Structure ID: 230**

**P1 BX2424-08BAVF**

**BOX BASE 8inW, 8inF, Variable Ht F/n**

P2) 24" x 24" - CASTING HEIGHT - 5" P1) 24" x 24" - BOX BASE 8inW, 8inF, Variable Ht F/n - 33" 1) CASTING - HOE KY-465 SET (CBI TY F) 1) 24" x 24" - Conseal CS-102 1.00" 1) Hole - 20 1) Hole - 16 2) Hole - 6	0 lb 3517 lb 465 lb 0 lb 0 lb 0 lb 0 lb 0 lb ----- 3982 lb	Structure Total:
---	---	------------------

**Structure Notes:**  
**\*\*KYTC STATE PROJECT\*\***  
 1. CASTING: HOE KY-465 SET (CBI TY F) PROVIDED BY ICAST.  
 2. KYTC CBI TYPE F / ASTM C913 SPECIFICATIONS.  
 3. CONCRETE = 4,000 PSI AT 28 DAYS.  
 4. NO INVERT CHANNEL.  
 5. NO STEPS.

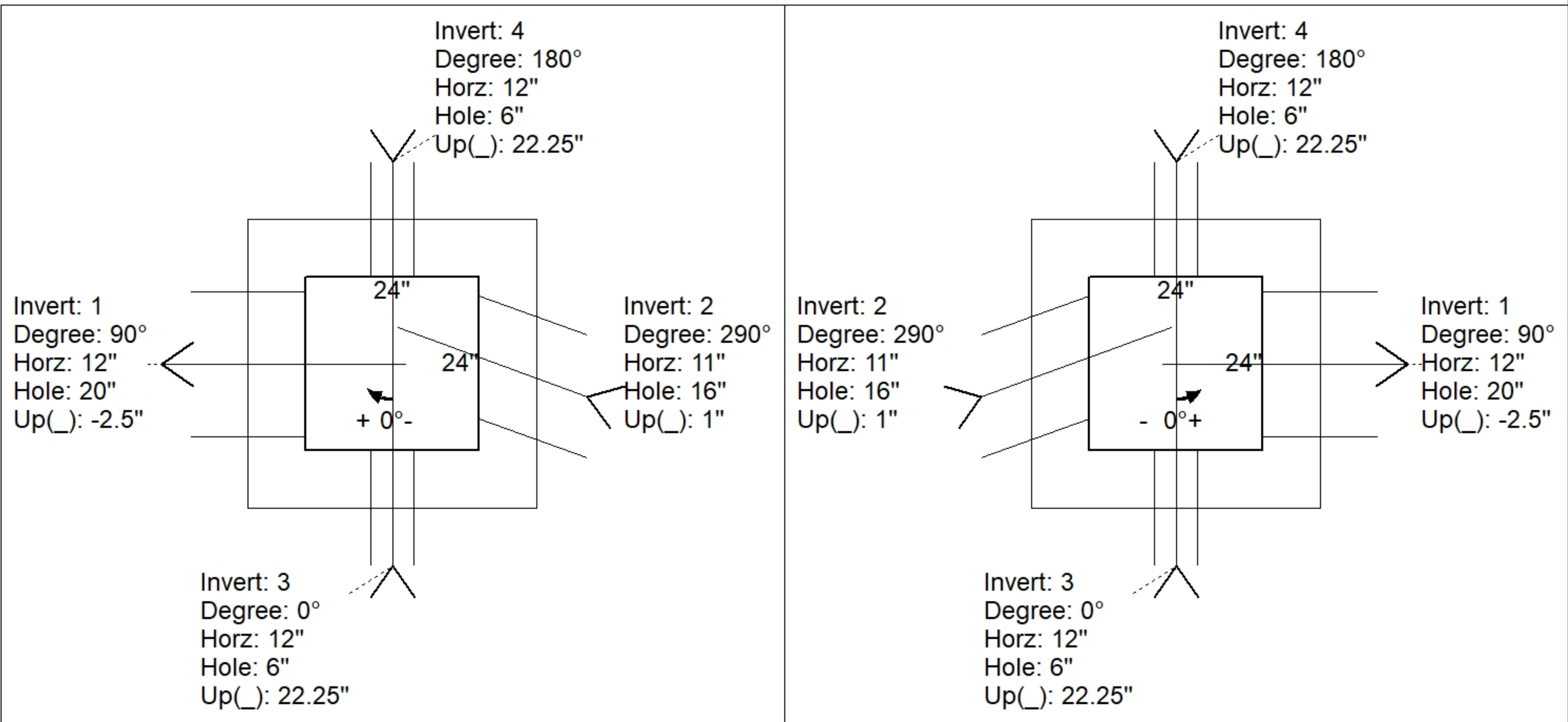
REINFORCING PER ASTM A615 (GRADE 60).  
 - WALLS (As .31) #5 BARS AT 12" C.C.E.W.  
 - FLOOR (As .31) #5 BARS AT 12" C.C.E.W.

Rim: 582.49'    Rim to Invert: 3.24'    Slack: 0.88"    Sump: 0"    Step Position:

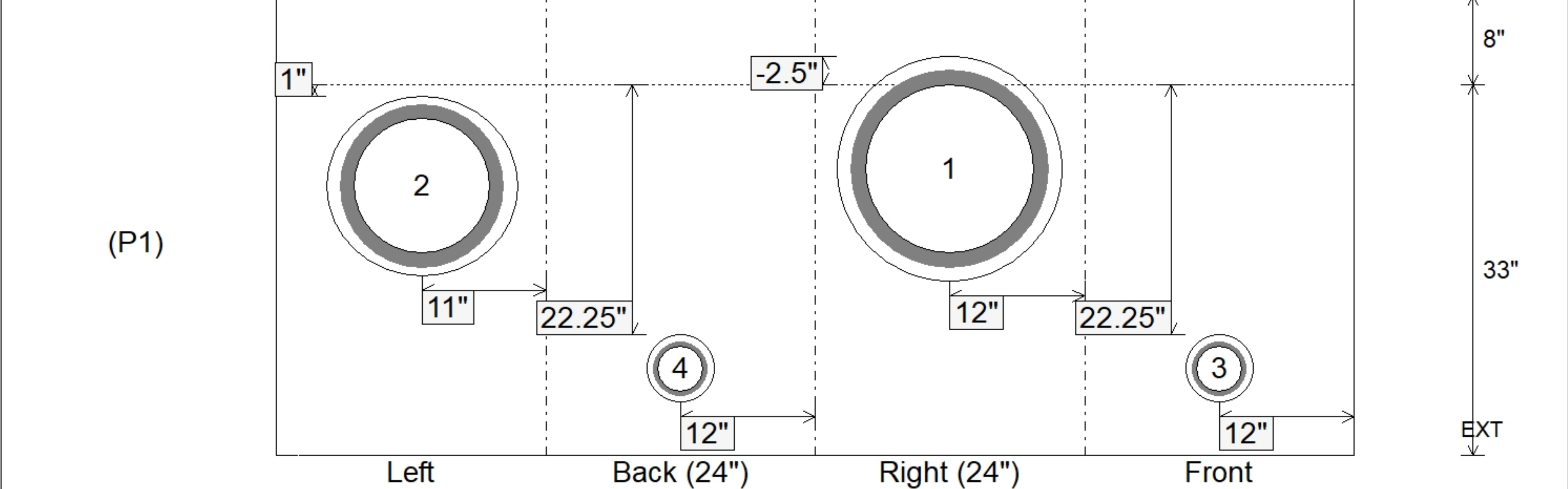
Position	Elev	Angle	Ext. (cw)	Pipe	Pipe OD	Connector	Hole	Horz Size	Up ( )	Offset
Invert 1	579.25'	90°	20"	15" HDPE	17.6"	Hole 20	20"	20"	-2.5"	0"
Invert 2	579.5'	290°	22"	12" HDPE	14.5"	Hole 16	16"	17.027"	1"	-5"
Invert 3	581.19'	0°	20"	4" HDPE	4.8"	Hole 6	6"	6"	22.25"	0"
Invert 4	581.19'	180°	20"	4" HDPE	4.8"	Hole 6	6"	6"	22.25"	0"
Invert 5										
Invert 6										
Invert 7										
Invert 8										

**RIGHT-SIDE UP VIEW (int. dimensions)**

**UPSIDE-DOWN VIEW (int. dimensions)**



**INSIDE WALL DIMENSIONS**



Coating (Int): Coating (Ext):	Seam Up: Flat Seam Dn: n/a	Wall Thickness: 8" Floor Height: 8"	Height (Int): 33" Height (Ext): 41"	Weight (Net): 3517 lb Volume (Net): 0.9cu.yd
----------------------------------	-------------------------------	--	--	---