

Job Name: 25-3459 Raceland MOB
Job Location: Raceland, KY
Contractor: Allard Excavation, LLC.

PC: Erica Bradley
 TECH: J. Horsley-A
 Plant: 100



Structure ID: 220
 Spec: KYTC
 Type: CBI TYPE F
 Size: 24" x 36"

Rim: 582.38'
 Invert: 578.76'
 Rim to Invert: 3.62'

Sump: 0"
 Floor (Top): 578.76'
 Floor Height: 8"

Floor (Bot): 578.093'
 Overall Height: 4.25'
 Slack: 0.44"

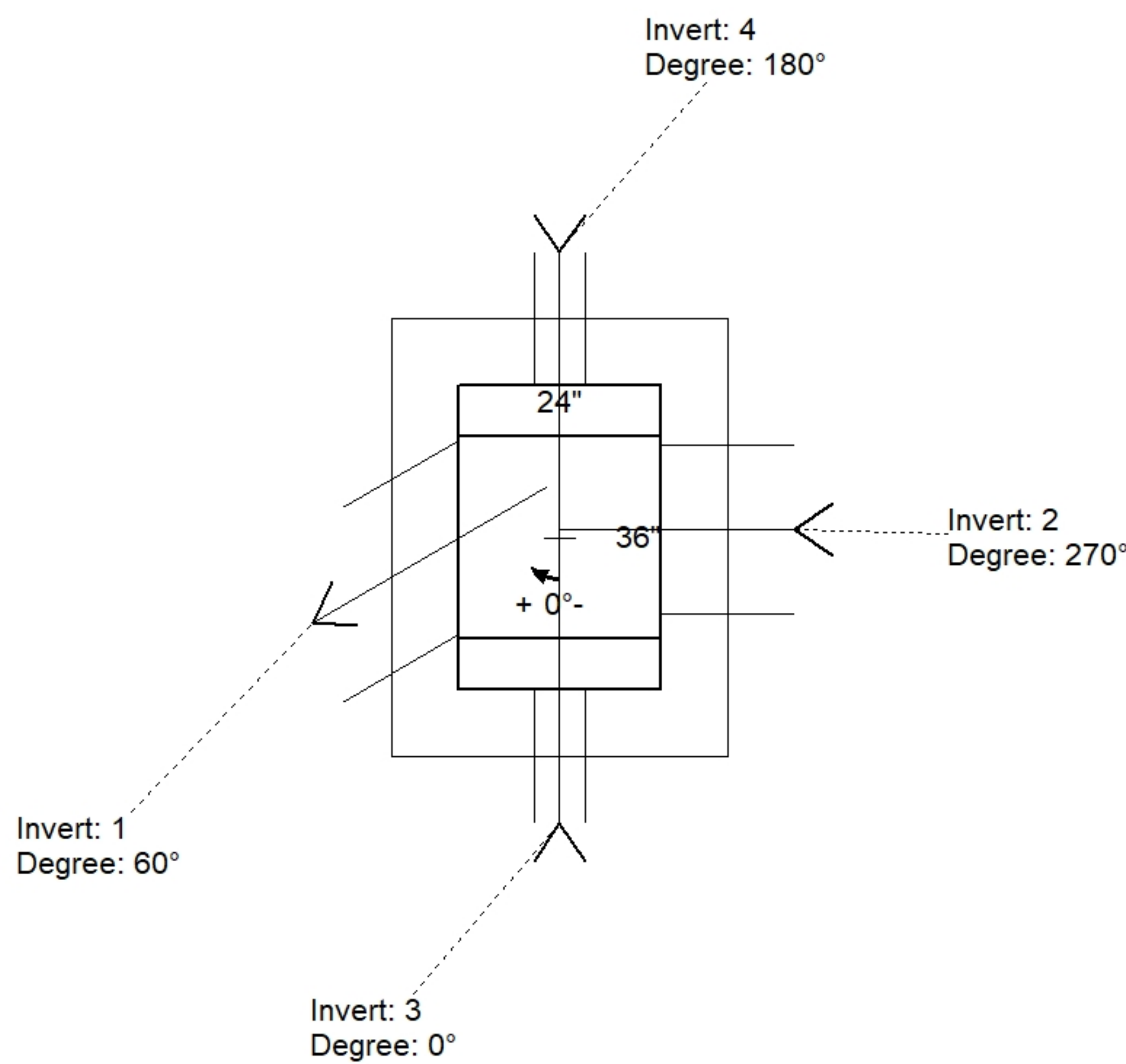
Structure Notes:

1. CASTING: HOE KY-465 SET (CBI TY F) PROVIDED BY ICAST.
2. KYTC CBI TYPE F / ASTM C913 SPECIFICATIONS.
3. CONCRETE = 4,000 PSI AT 28 DAYS.
4. NO INVERT CHANNEL.
5. NO STEPS.

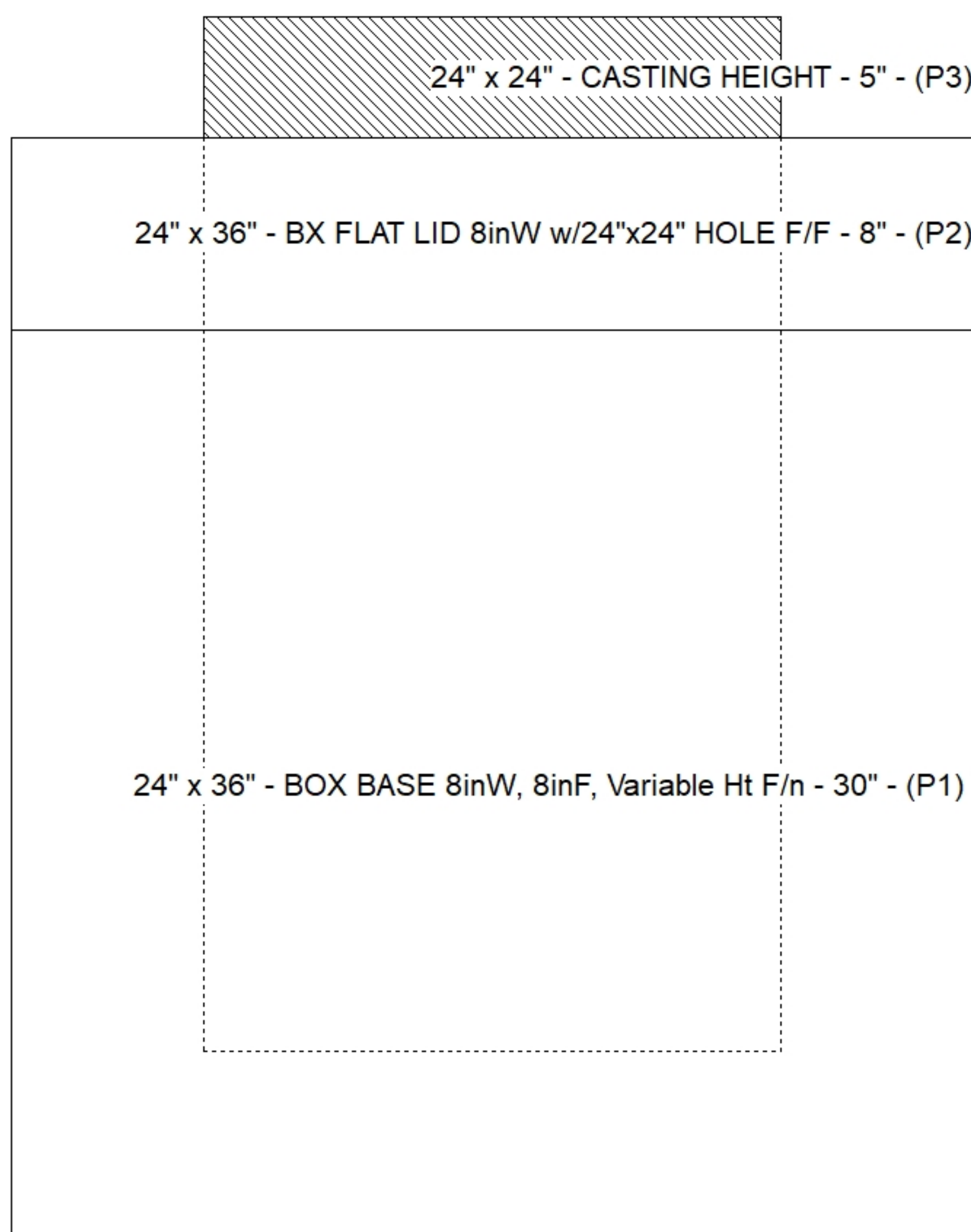
REINFORCING PER ASTM A615 (GRADE 60).
 - TRANS. SLAB (As .62) #5 BARS AT 6" C.C.E.W (DBL MAT)
 - WALLS (As .31) #5 BARS AT 12" C.C.E.W.
 - FLOOR (As .31) #5 BARS AT 12" C.C.E.W.

STRUCTURE SUMMARY:

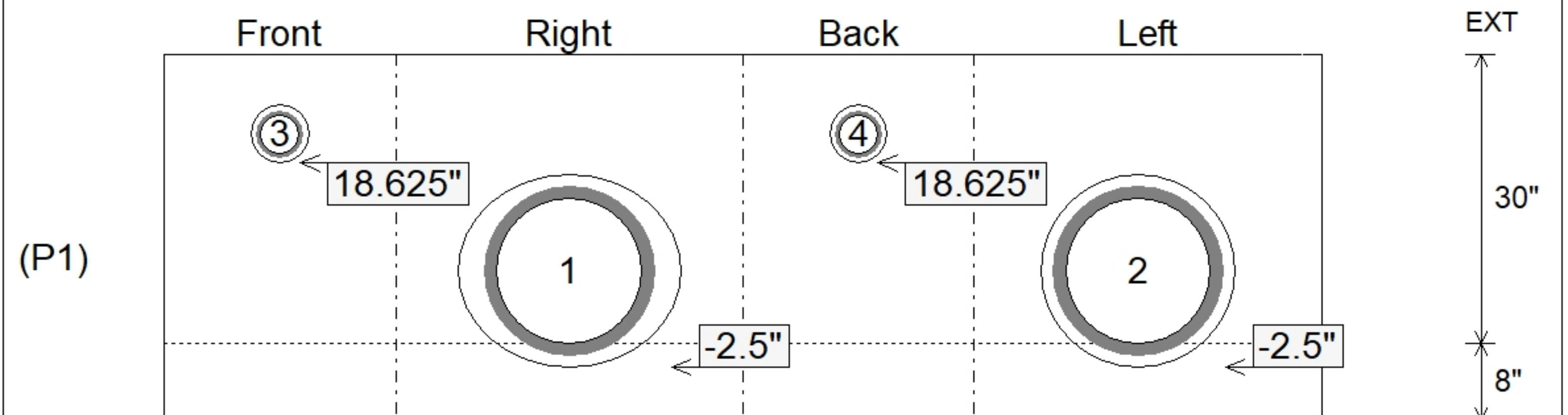
P3) 24" x 24" - CASTING HEIGHT - 5"	0 lb
P2) 24" x 36" - BX FLAT LID 8inW w/24"x24" HOLE F/F - 8"	1010 lb
P1) 24" x 36" - BOX BASE 8inW, 8inF, Variable Ht F/n - 30"	3965 lb
1) CASTING - HOE KY-465 SET (CBI TY F)	465 lb
1) 24" x 36" - Conseal CS-102 1.00"	0 lb
1) 24" x 24" - Conseal CS-102 1.00"	0 lb
2) Hole - 20	0 lb
2) Hole - 6	0 lb
Structure Total:	5440 lb



Position	Elev	Angle	Pipe	Pipe OD	Hole	Connector	Up (")	Ref
Rim	582.38'							
Reducer								
Invert 1	578.76'	60°	15" HDPE	17.6"	20"	Hole 20	-2.5"	P1
Invert 2	578.76'	270°	15" HDPE	17.6"	20"	Hole 20	-2.5"	P1
Invert 3	580.4'	0°	4" HDPE	4.8"	6"	Hole 6	18.625"	P1
Invert 4	580.4'	180°	4" HDPE	4.8"	6"	Hole 6	18.625"	P1
Invert 5								
Invert 6								
Invert 7								
Invert 8								



Cast (Int. Dim.) - Interior Dimensions



Submittal Drawing
 11/25/2025 3:42:38 PM

SUBMITTAL
 APPROVED BY: