

Job Name: 25-3459 Raceland MOB
Job Location: Raceland, KY
Contractor: Allard Excavation, LLC.

PC: Erica Bradley
 TECH: J. Horsley-A
 Plant: 100



Structure ID: 210
 Spec: Storm
 Type: STM.MH
 Size: 48"

Rim: 581.07'
 Invert: 578.37'
 Rim to Invert: 2.7'

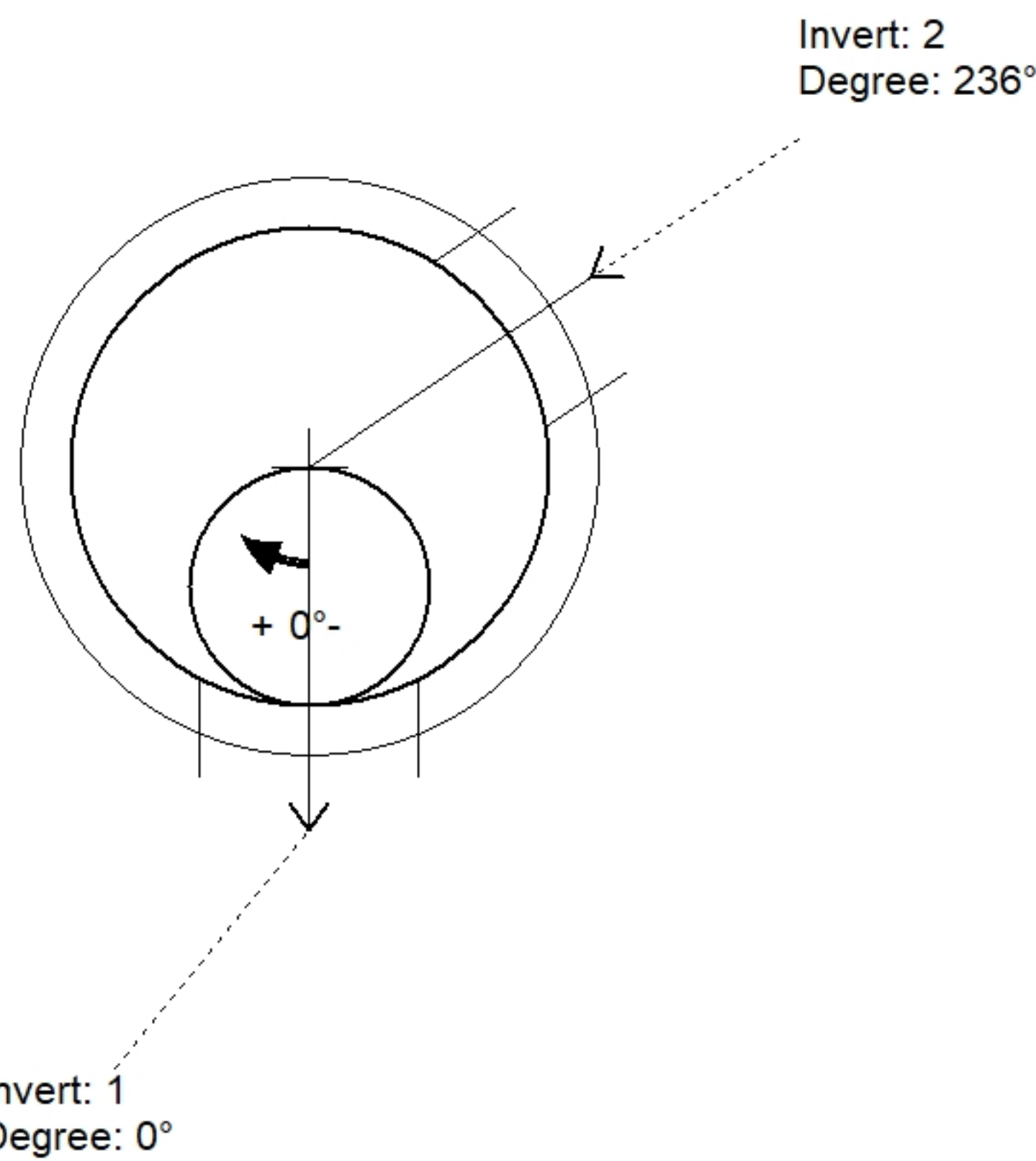
Sump: 2.25"
 Floor (Top): 578.183'
 Floor Height: 6"

Floor (Bot): 577.683'
 Overall Height: 3.417'
 Slack: -0.35"

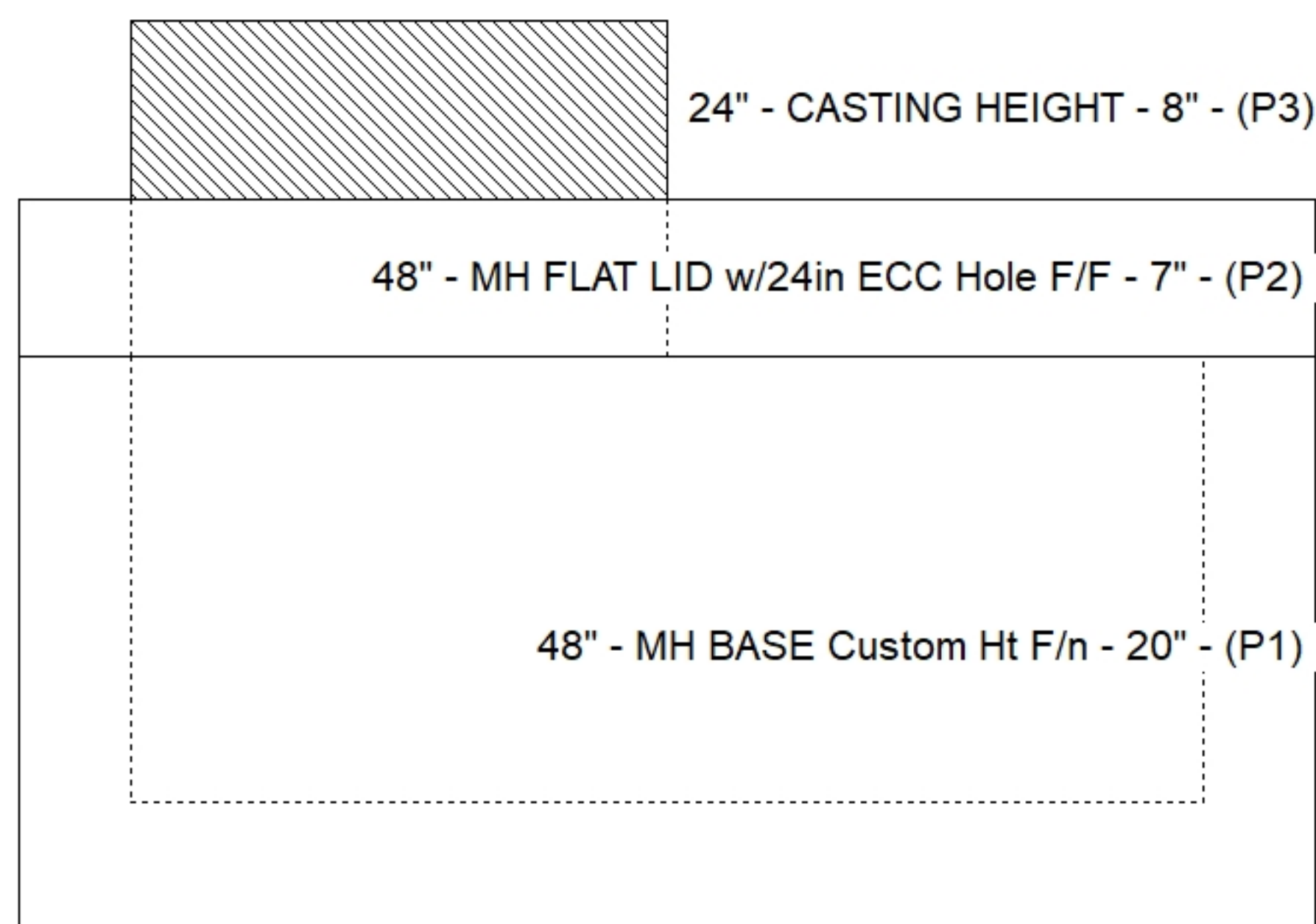
Structure Notes:
 1. CASTING: HOE KY-510F/C(KY TY2)PROVIDED BY ICAST.
 1. PER ASTM C478 SPECIFICATIONS.
 2. CONCRETE = 4,000 PSI AT 28 DAYS.
 3. REINFORCING PER ASTM A615 (GRADE 60).
 - TOP SLAB (As .62) #5 BARS AT 6" C.C.E.W..
 - RISER/WALLS (As .12)
 - FLOOR (As .31) #5 BARS AT 12" C.C.E.W.

STRUCTURE SUMMARY:

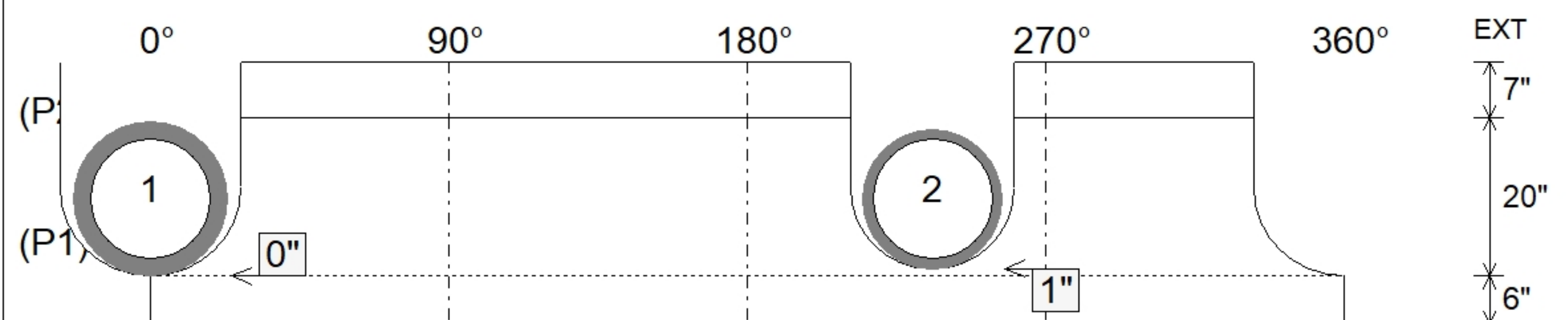
P3) 24" - CASTING HEIGHT - 8"	0 lb
P2) 48" - MH FLAT LID w/24in ECC Hole F/F - 7"	996 lb
P1) 48" - MH BASE Custom Ht F/n - 20"	2414 lb
1) CASTING - HOE KY-510 F/C (KY TY.2)	510 lb
1) 48" - Conseal CS-102 1.00"	0 lb
1) DOGHOUSE INVRTD - 22"x22"	0 lb
1) DOGHOUSE INVRTD - 20"x20"	0 lb
Structure Total:	3919 lb



Position	Elev	Angle	Pipe	Pipe OD	Hole	Connector	Up (")	Ref
Rim	581.07'							
Reducer								
Invert 1	578.37'	0°	15" RCP B WALL	19.5"	22" x 22"	DOGHOUSE INVRTD 22"x22"	0"	P1
Invert 2	578.37'	236°	15" HDPE	17.6"	20" x 20"	DOGHOUSE INVRTD 20"x20"	1"	P1
Invert 3								
Invert 4								
Invert 5								
Invert 6								
Invert 7								
Invert 8								



Cast (Int. Dim.) - Interior Dimensions



Submittal Drawing
 11/25/2025 3:42:38 PM

SUBMITTAL
 APPROVED BY: