

Job Name: 25-3459 Raceland MOB
 Job Location: Raceland, KY
 Contractor: Allard Excavation, LLC.

Plant: 100

11/25/2025 3:43:53 PM

Tech: J. Horsley-A

PC: Erica Bradley



Structure ID: 210

P2 MH048LD07ECC

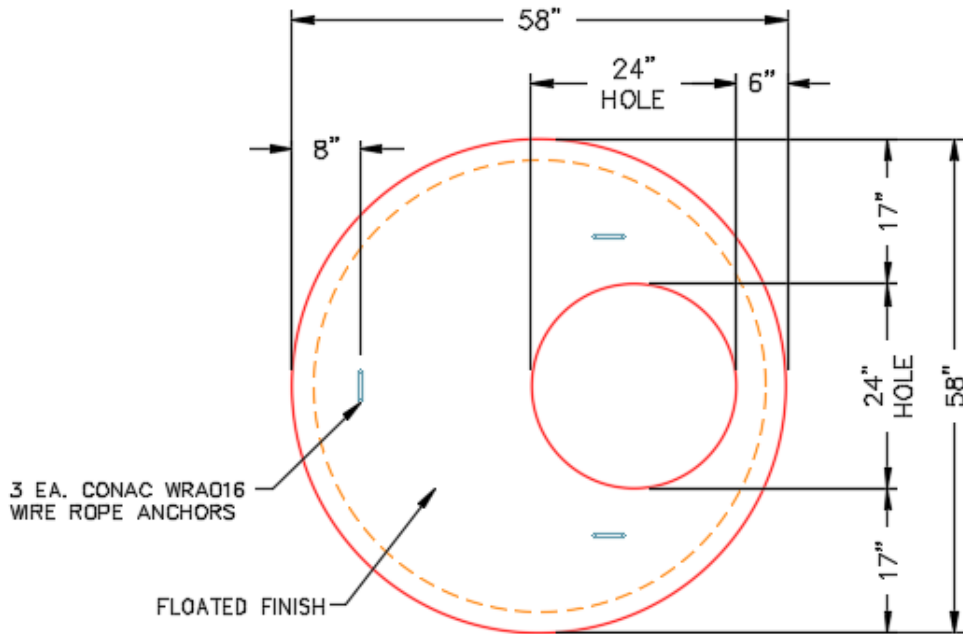
MH FLAT LID w/24in ECC Hole F/F

- P3) 24" - CASTING HEIGHT - 8"
- P2) 48" - MH FLAT LID w/24in ECC Hole F/F - 7"
- P1) 48" - MH BASE Custom Ht F/n - 20"
- 1) CASTING - HOE KY-510 F/C (KY TY.2)
- 1) 48" - Conseal CS-102 1.00"
- 1) DOGHOUSE INVRTD - 22"x22"
- 1) DOGHOUSE INVRTD - 20"x20"

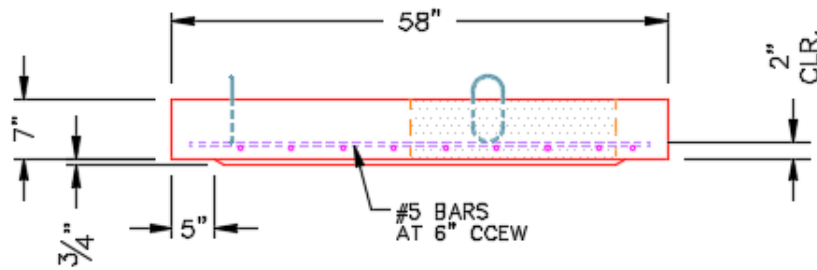
| | |
|------------------|---------|
| | 0 lb |
| | 996 lb |
| | 2414 lb |
| | 510 lb |
| | 0 lb |
| | 0 lb |
| | 0 lb |
| Structure Total: | 3919 lb |

Structure Notes:

1. CASTING: HOE KY-510F/C(KY TY2)PROVIDED BY ICAST.
1. PER ASTM C478 SPECIFICATIONS.
2. CONCRETE = 4,000 PSI AT 28 DAYS.
3. REINFORCING PER ASTM A615 (GRADE 60).
 - TOP SLAB (As .62) #5 BARS AT 6" C.C.E.W..
 - RISER/WALLS (As .12)
 - FLOOR (As .31) #5 BARS AT 12" C.C.E.W.



PLAN VIEW



SECTION A-A

Coating (Int):
 Coating (Ext):

Seam Up: Flat
 Seam Dn: Flat

Wall Thickness: 5"

Height (Ext): 7"

Weight (Net): 996 lb
 Volume (Net): 0.25cu.yd