

Job Name: 25-3459 Raceland MOB Job Location: Raceland, KY Contractor: Allard Excavation, LLC.	Plant: 100 11/25/2025 3:43:02 PM	Tech: J. Horsley-A PC: Erica Bradley	
---	-------------------------------------	---	--

Structure ID: 210

P1 MH048BAVF

MH BASE Custom Ht F/n

P3) 24" - CASTING HEIGHT - 8"	0 lb
P2) 48" - MH FLAT LID w/24in ECC Hole F/F - 7"	996 lb
P1) 48" - MH BASE Custom Ht F/n - 20"	2414 lb
1) CASTING - HOE KY-510 F/C (KY TY.2)	510 lb
1) 48" - Conseal CS-102 1.00"	0 lb
1) DOGHOUSE INVRTD - 22"x22"	0 lb
1) DOGHOUSE INVRTD - 20"x20"	0 lb
Structure Total:	3919 lb

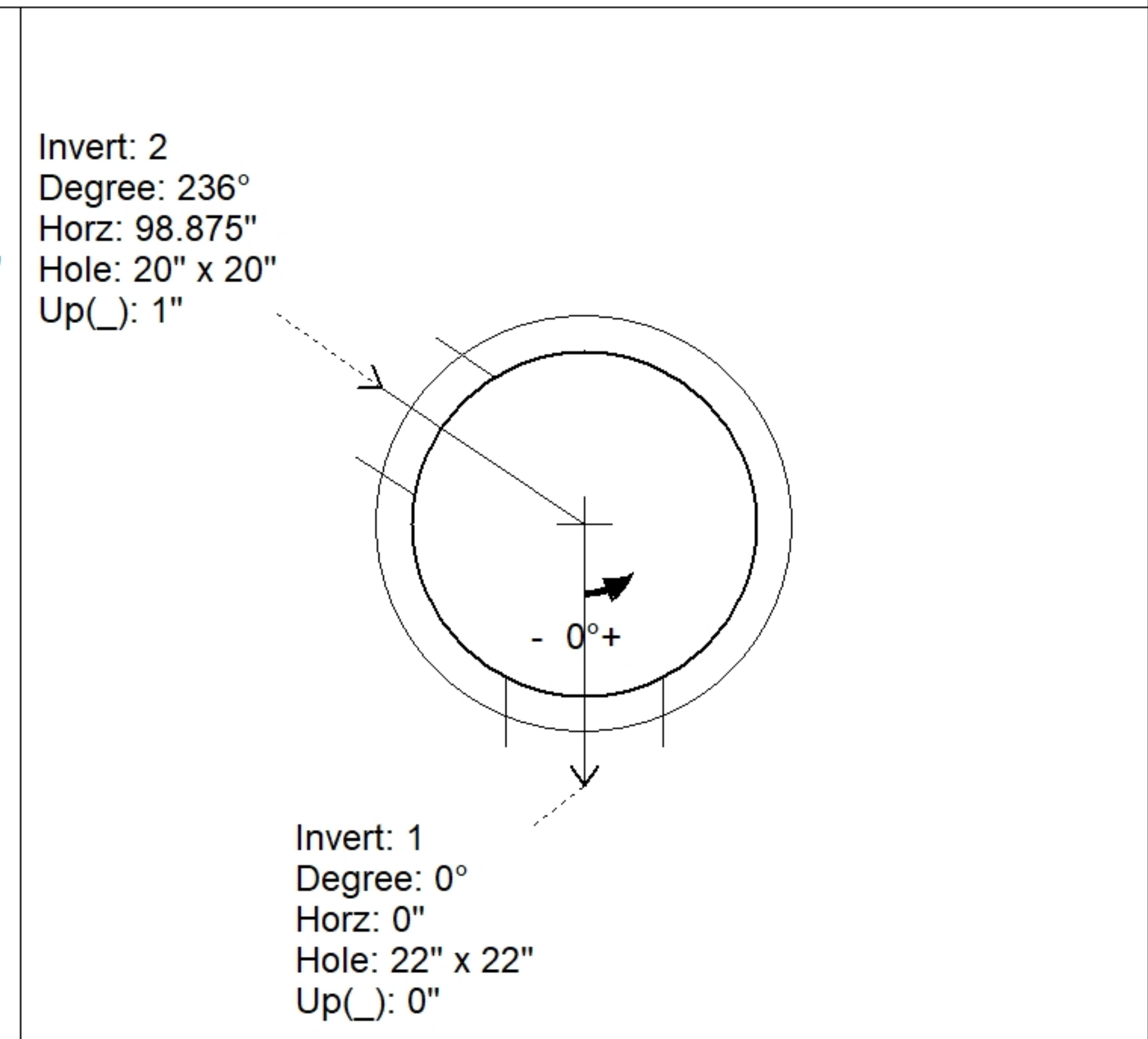
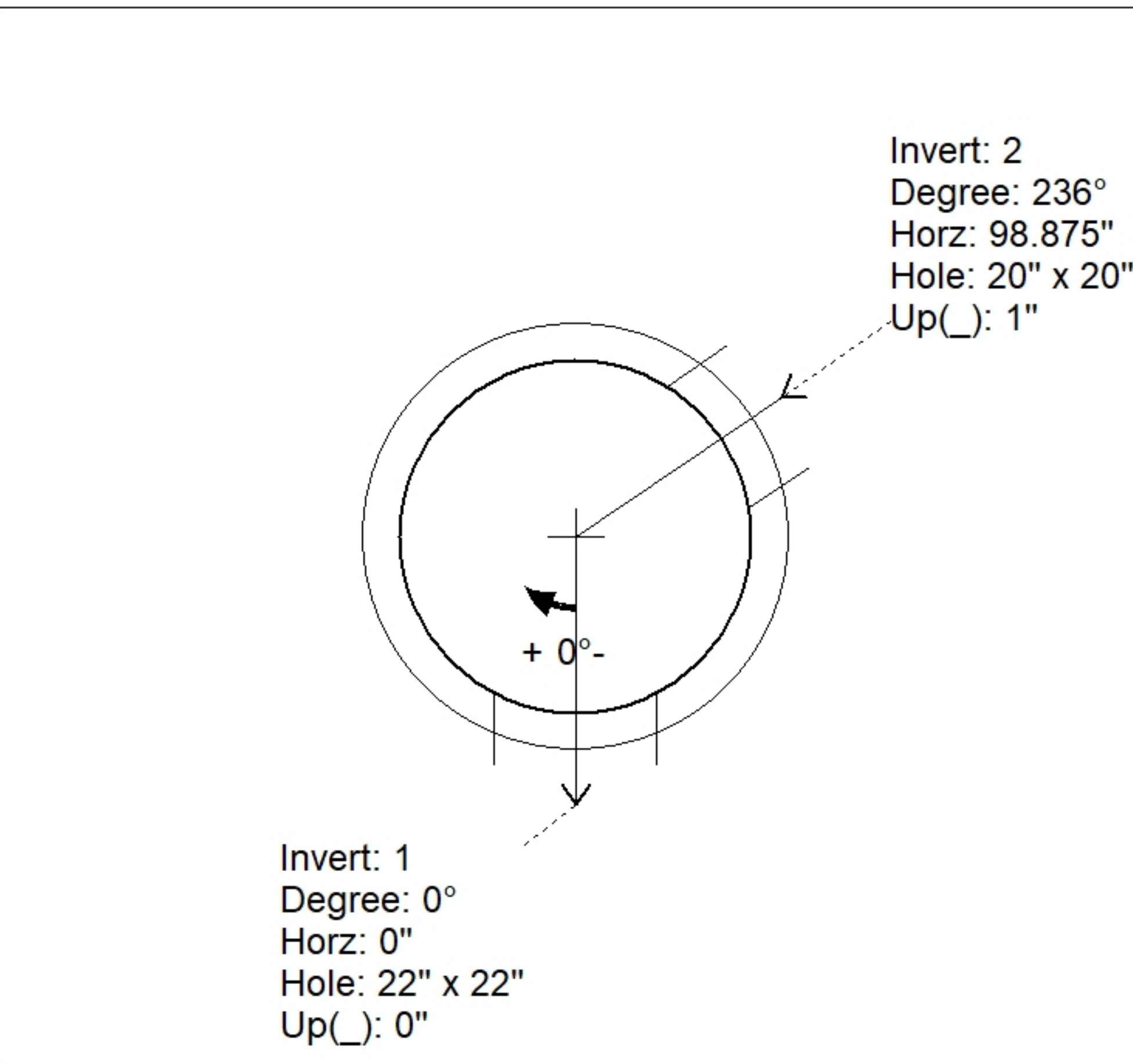
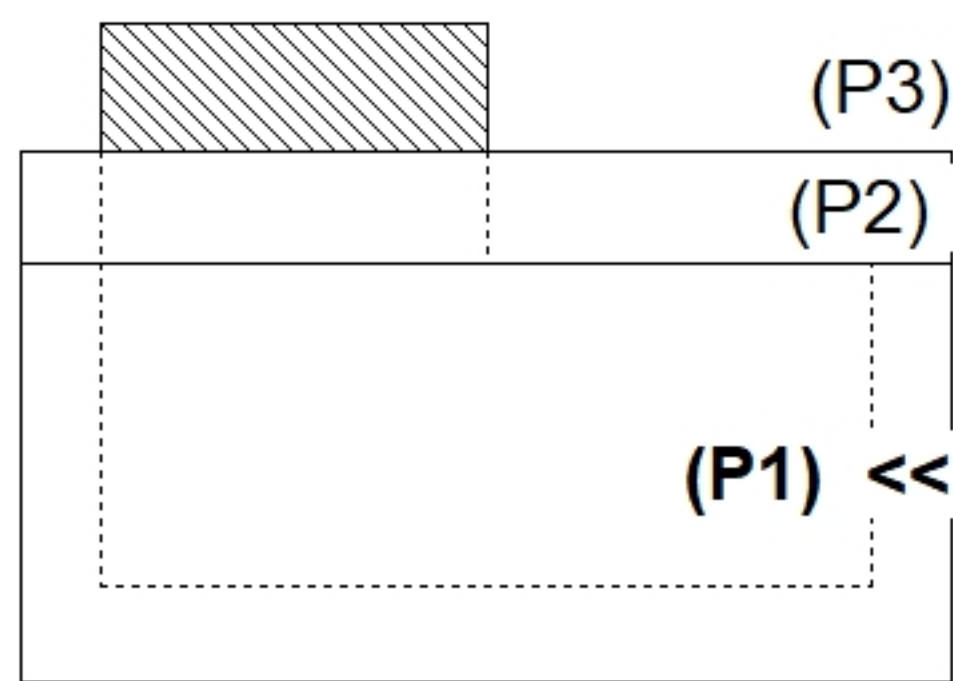
Structure Notes:
 1. CASTING: HOE KY-510F/C(KY TY2)PROVIDED BY ICAST.
 1. PER ASTM C478 SPECIFICATIONS.
 2. CONCRETE = 4,000 PSI AT 28 DAYS.
 3. REINFORCING PER ASTM A615 (GRADE 60).
 - TOP SLAB (As .62) #5 BARS AT 6" C.C.E.W..
 - RISER/WALLS (As .12)
 - FLOOR (As .31) #5 BARS AT 12" C.C.E.W.

Rim: 581.07' Rim to Invert: 2.7' Slack: -0.35" Sump: 2.25" Step Position:

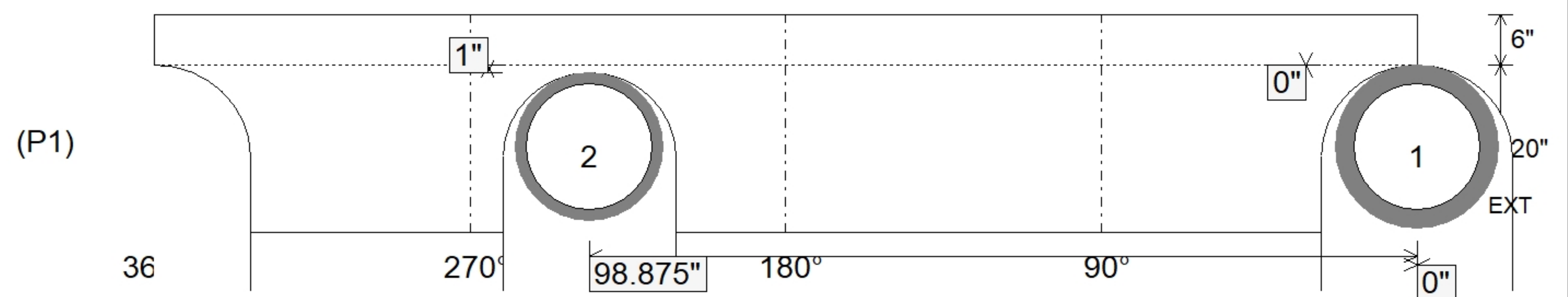
Position	Elev	Angle	Ext. (cw)	Pipe	Pipe OD	Connector	Hole	Horz Size	Up ()	Offset
Invert 1	578.37'	0°	0"	15" RCP B WALL	19.5"	DOGHOUSE INVRTD 22"x22"	22" x 22"	22.854"	0"	0"
Invert 2	578.37'	236°	119.5"	15" HDPE	17.6"	DOGHOUSE INVRTD 20"x20"	20" x 20"	20.629"	1"	0"
Invert 3										
Invert 4										
Invert 5										
Invert 6										
Invert 7										
Invert 8										

RIGHT-SIDE UP VIEW (int. dimensions)

UPSIDE-DOWN VIEW (int. dimenions)



INSIDE WALL DIMENSIONS



Coating (Int): Coating (Ext):	Seam Up: Flat Seam Dn: n/a	Wall Thickness: 5" Floor Height: 6"	Height (Int): 20" Height (Ext): 26"	Weight (Net): 2414 lb Volume (Net): 0.62cu.yd
----------------------------------	-------------------------------	--	--	--