

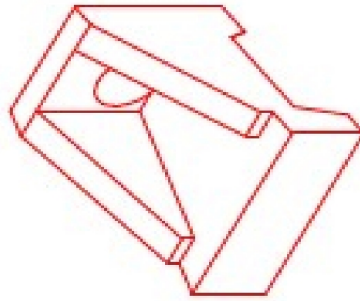


**Structure ID: 100**

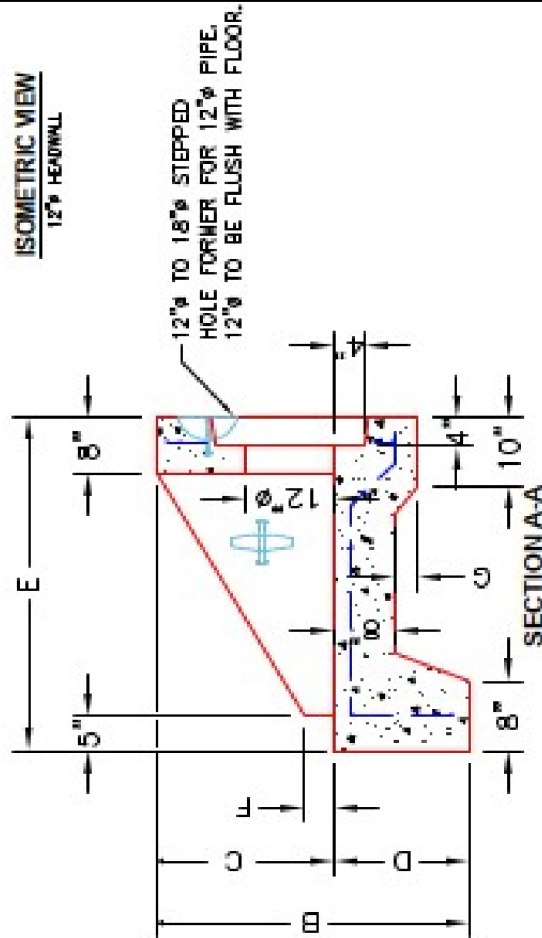
**P1 HWSF12**

**12" - SLOPED & FLARED HEADWALL F/F**

DIMENSIONS										
PPE Ø	A	B	C	D	E	F	G	H	I	WEIGHT
12"	2'-0"	3'-6"	2'-0"	1'-0"	4'-0"	3"	2'	1'-0"	4'-0"	3,161 LBS.

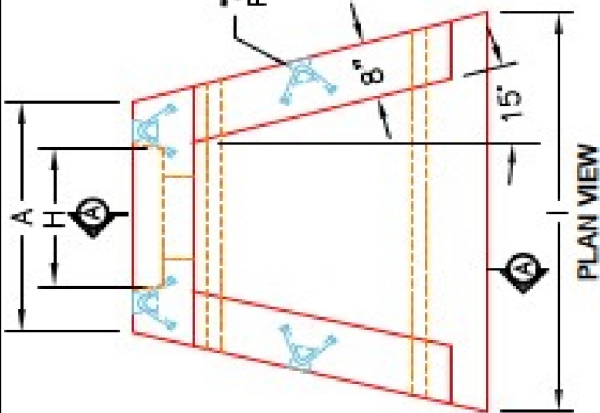


ISOMETRIC VIEW  
12" HEADWALL

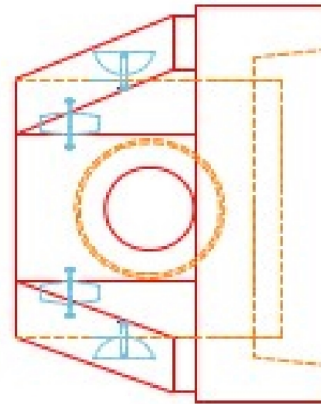


SECTION A-A

"A"-ANCHOR LIFTING SYSTEM FOR PLANT & FIELD HANDLING.



PLAN VIEW



FRONT ELEVATION

- NOTES:**
1. CONCRETE: 4500 PSI @ 28 DAYS.
  2. REINFORCING: #4 BAR @ 12" C/C E/W - GRADE 60, (WITH 3" CONCRETE COVER MINIMUM)
  3. REINFORCING BARS TO BE TACK WELDED OR TIED.
  4. DRAWING TO BE USED IN CONJUNCTION WITH KYTC STD. DRAWING RDH-020-03 AND THE STANDARD SPECIFICATIONS FOR ROAD AND BRIDGE CONSTRUCTION.
  5. CHAMFER ON ALL EXPOSED EDGES.

PRODUCTION WORK ORDER	
PRODUCT I.D.: HWSF12	DESCRIPTION: KYTC 12" SLOPED & FLARED HEADWALL
PRODUCT VIEW: RIGHT SIDE UP	CUSTOMER: STOCK
PLANT: BEAVER DAM, KY.	PROJECT: STOCK INVENTORY
WEIGHT: 3,161 LBS.	STRUCTURE D.I.: N/A
TOP SECTION JOINT: N/A	QUOTE/SALES ORDER NO: N/A
BASE SECTION JOINT: N/A	CHECK: J.H. ROSS, PE DRAWING: N. RICHARDS
QC CHECK INITIALS:	DATE: 08/15/22 SCALE: NTS PG. 1 of 1

