

Job Name: 25-3442 - Take 5  
 Job Location: Newburgh, IN 47630  
 Contractor: Stemaly Excavating Inc.

Plant: Beaver Dam, KY  
 2/22/2026 4:12:18 PM

Tech: J. Horsley - A  
 PC: Trevor Lewis



**Structure ID: MH-12**

**P2 MH048LD12ECC**

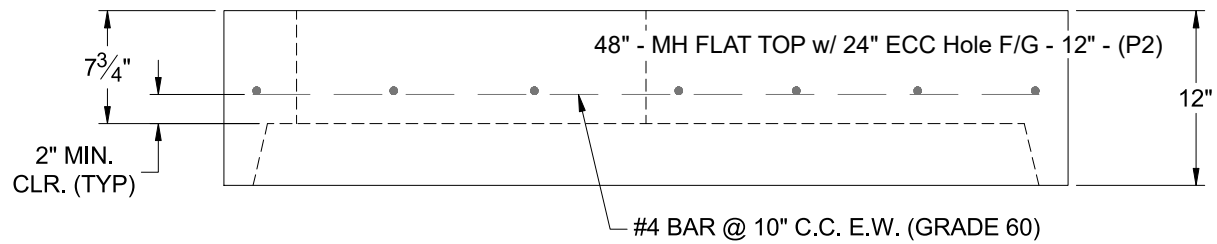
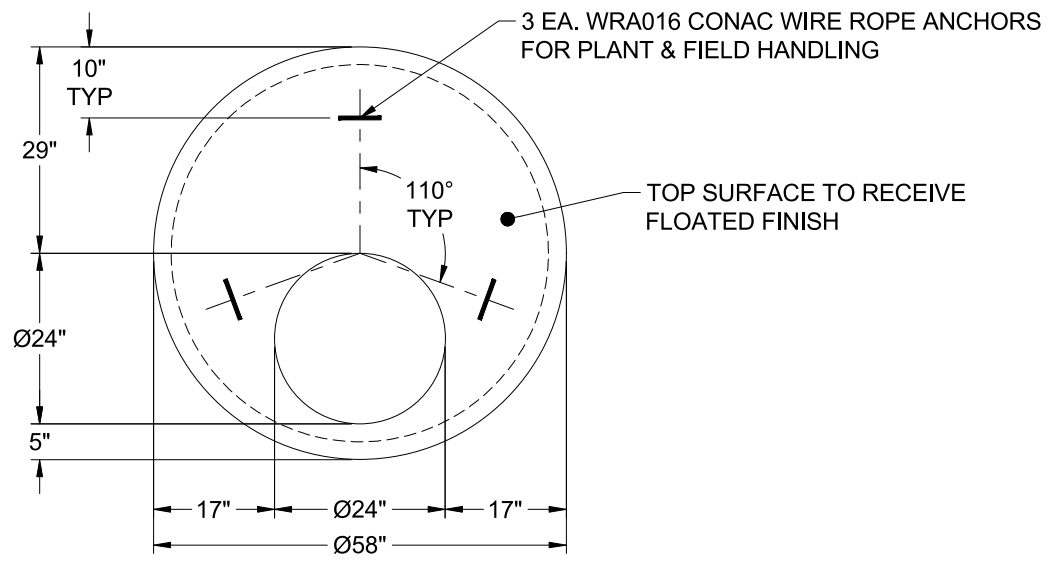
**MH FLAT TOP w/ 24" ECC Hole F/G**

- P3) 24" - CASTING HEIGHT - 7"
- P2) 48" - MH FLAT TOP w/ 24" ECC Hole F/G - 12"
- P1) 48" - MH BASE T/n - 30"
- 1) CASTING - HOE MC-315 F/C Storm
- 1) 48" - Conseal CS-102 1.00"
- 2) Hole - 16
- 1) Hole - 6

0 lb  
 1561 lb  
 3183 lb  
 258 lb  
 0 lb  
 0 lb  
 0 lb  
 -----  
 5002 lb

Structure Total:

- Structure Notes:
1. PER ASTM C-478 SPECIFICATIONS
  2. CONCRETE: 4,000 PSI AT 28 DAYS
  3. REINFORCEMENT: #4 BAR @ 10" C.C. E.W. (GRADE 60) - 2" MIN. REBAR CLEARANCE (TYP)
  4. HOE MC-315 FRAME & COVER "STORM" SUPPLIED BY ICAST
  5. LIFTERS: 3 EA. WRA016 CONAC WIRE ROPE ANCHORS FOR PLANT & FIELD HANDLING
  6. TOP SURFACE TO RECEIVE FLOATED FINISH



Coating (Int): Coating (Ext):	Seam Up: Flat Seam Dn: Groove	Wall Thickness: 5"	Height (Ext): 12"	Weight (Net): 1561 lb Volume (Net): 0.42cu.yd
----------------------------------	----------------------------------	--------------------	-------------------	--