

Job Name: 25-3442 - Take 5
Job Location: Newburgh, IN 47630
Contractor: Stemaly Excavating Inc.

PC: Trevor Lewis
 TECH: J. Horsley - A
 Plant: Beaver Dam, KY



Structure ID: **MH 7**
 Spec: Storm
 Type: STM.MH Doghouse
 Size: 48"

Rim: 394.15'
 Invert: 389.09'
 Rim to Invert: 5.06'

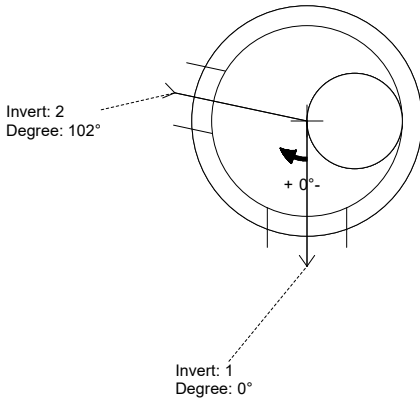
Sump: 0"
 Floor (Top): 388.84'
 Floor Height: 0"

Floor (Bot): 388.84'
 Overall Height: 5.25'
 Slack: 0.72"

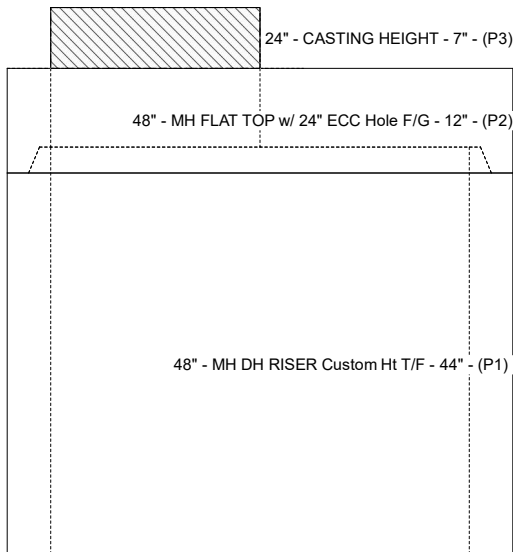
- Structure Notes:**
 PLAN LABEL: 7
 1. PER ASTM C-478 SPECIFICATIONS
 2. CONCRETE: 4,000 PSI AT 28 DAYS
 3. REINFORCEMENT:
 - FLAT LID: #4 BAR @ 10" C.C. E.W. (GRADE 60)
 - DOGHOUSE RISER: PER ASTM A615
 4. NO STEPS
 5. HOE MC-315 FRAME & COVER "STORM" SUPPLIED BY ICAST

STRUCTURE SUMMARY:

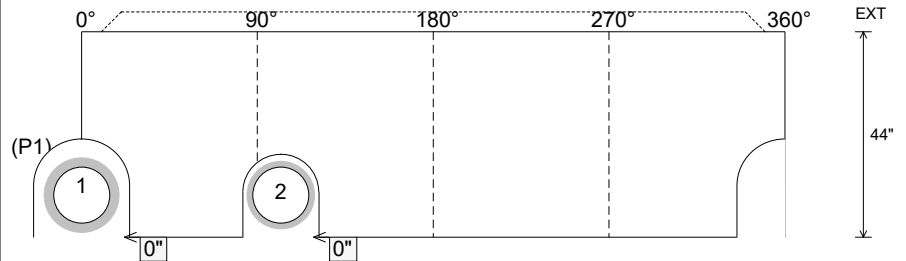
P3) 24" - CASTING HEIGHT - 7"	0 lb
P2) 48" - MH FLAT TOP w/ 24" ECC Hole F/G - 12"	1561 lb
P1) 48" - MH DH RISER Custom Ht T/F - 44"	2802 lb
1) CASTING - HOE MC-315 F/C Storm	258 lb
1) 48" - Conseal CS-102 1.00"	0 lb
1) DOGHOUSE - 20"x21"	0 lb
1) DOGHOUSE - 16"x18"	0 lb
Structure Total:	4621 lb



Position	Elev	Angle	Pipe	Pipe OD	Hole	Connector	Up ()	Ref
Rim	394.15'							
Reducer								
Invert 1	389.09'	0°	12" RCP B WALL	16"	20" x 20"	DOGHOUSE 20"x21"	0"	P1
Invert 2	389.09'	102°	12" HDPE	14.5"	16" x 16"	DOGHOUSE 16"x18"	0"	P1
Invert 3								
Invert 4								
Invert 5								
Invert 6								
Invert 7								
Invert 8								



Cast (Int. Dim.) - Interior Dimensions



Submittal Drawing
 2/22/2026 3:21:15 PM

SUBMITTAL
 APPROVED BY: