

Job Name: 25-3442 - Take 5
 Job Location: Newburgh, IN 47630
 Contractor: Stemaly Excavating Inc.

Plant: Beaver Dam, KY
 2/22/2026 3:35:19 PM

Tech: J. Horsley - A
 PC: Trevor Lewis



Structure ID: 9

P1 BX2436-08BVF

BOX BASE 8inW, 8inF, Variable Ht F/n

- P2) 24" x 36" - CASTING HEIGHT - 4"
- P1) 24" x 36" - BOX BASE 8inW, 8inF, Variable Ht F/n - 39"
- 1) CASTING - HOE 518 F/G
- 1) 24" x 36" - Conseal CS-102 1.00"
- 1) Hole - 18
- 1) Hole - 16
- 1) Hole - 6

0 lb
 5051 lb
 354 lb
 0 lb
 0 lb
 0 lb
 0 lb

 0 lb
 Structure Total: 5405 lb

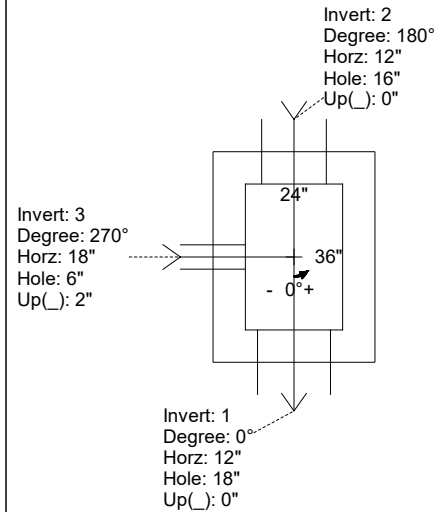
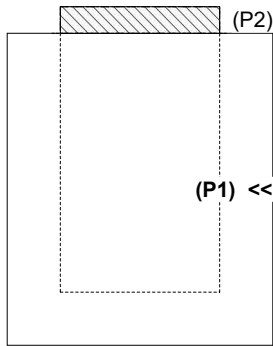
- Structure Notes:
1. PER ASTM C-913 SPECIFICATIONS
 2. CONCRETE: 4,000 PSI AT 28 DAYS
 3. REINFORCEMENT: #5 BAR @ 12" C.C. E.W. (GRADE 60) - 2" MIN. REBAR CLEARANCE (TYP)
 4. NO STORM INVERT
 5. NO STEPS
 6. HOE 518 FRAME & GRATE SUPPLIED BY ICAST

Rim: 394.05' Rim to Invert: 3.5' Slack: 0.25" Sump: 1.25" Step Position:

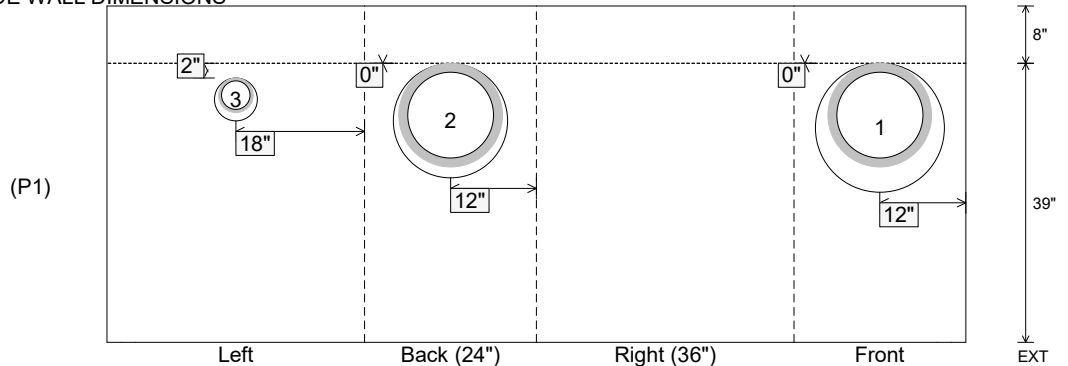
Position	Elev	Angle	Ext. (cw)	Pipe	Pipe OD	Connector	Hole	Horz Size	Up ()	Offset
Invert 1	390.55'	0°	20"	12" HDPE	14.5"	Hole 18	18"	18"	0"	0"
Invert 2	390.55'	180°	20"	12" HDPE	14.5"	Hole 16	16"	16"	0"	0"
Invert 3	390.65'	270°	26"	4" HDPE (perf pipe)	4.8"	Hole 6	6"	6"	2"	0"
Invert 4										
Invert 5										
Invert 6										
Invert 7										
Invert 8										

RIGHT-SIDE UP VIEW (int. dimensions)

UPSIDE-DOWN VIEW (int. dimensions)



INSIDE WALL DIMENSIONS



Coating (Int):
 Coating (Ext):

Seam Up: Flat
 Seam Dn: n/a

Wall Thickness: 8"
 Floor Height: 8"

Height (Int): 39"
 Height (Ext): 47"

Weight (Net): 5051 lb
 Volume (Net): 1.29cu.yd