

Job Name: 25-3442 - Take 5  
 Job Location: Newburgh, IN 47630  
 Contractor: Stemaly Excavating Inc.

Plant: Beaver Dam, KY  
 2/22/2026 3:35:20 PM

Tech: J. Horsley - A  
 PC: Trevor Lewis



**Structure ID: 11**

**P1 BX2436-08BVF**

**BOX BASE 8inW, 8inF, Variable Ht F/n**

- P2) 24" x 36" - CASTING HEIGHT - 4"  
 P1) 24" x 36" - BOX BASE 8inW, 8inF, Variable Ht F/n - 41"  
 1) CASTING - HOE 518 F/G  
 1) 24" x 36" - Conseal CS-102 1.00"  
 2) Hole - 16  
 1) Hole - 6

0 lb  
 5261 lb  
 354 lb  
 0 lb  
 0 lb  
 0 lb  
 -----  
 0 lb  
 Structure Total: 5615 lb

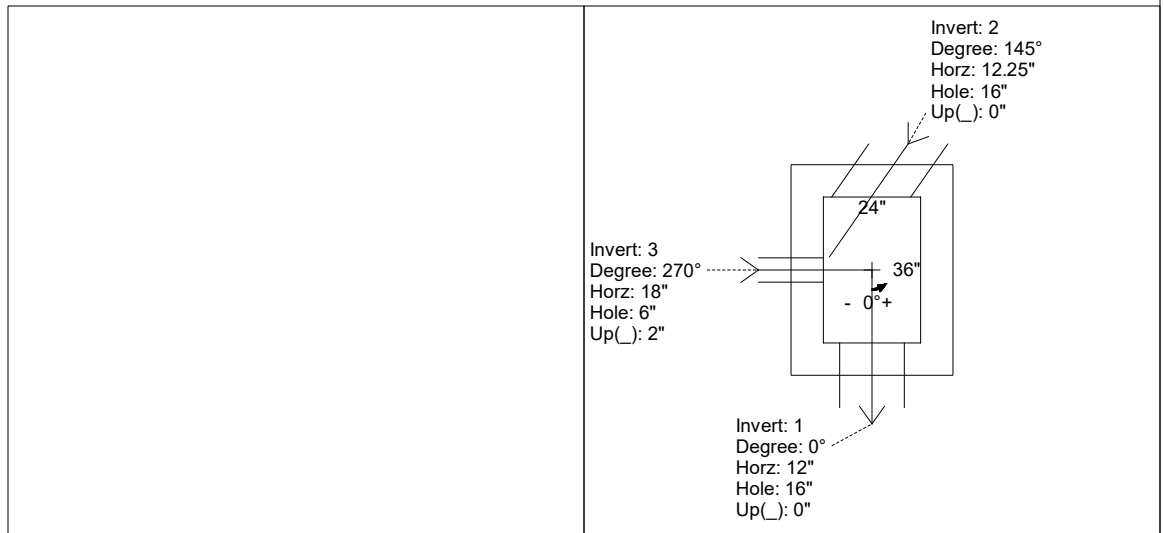
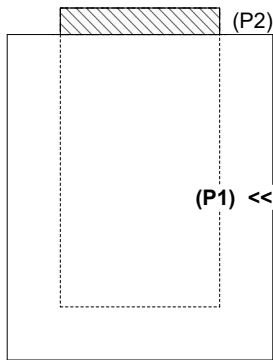
- Structure Notes:  
 1. PER ASTM C-913 SPECIFICATIONS  
 2. CONCRETE: 4,000 PSI AT 28 DAYS  
 3. REINFORCEMENT: #5 BAR @ 12" C.C. E.W. (GRADE 60) - 2" MIN. REBAR CLEARANCE (TYP)  
 4. NO STORM INVERT  
 5. NO STEPS  
 6. HOE 518 FRAME & GRATE SUPPLIED BY ICAST

Rim: 394.25' Rim to Invert: 3.65' Slack: 0.05" Sump: 1.25" Step Position:

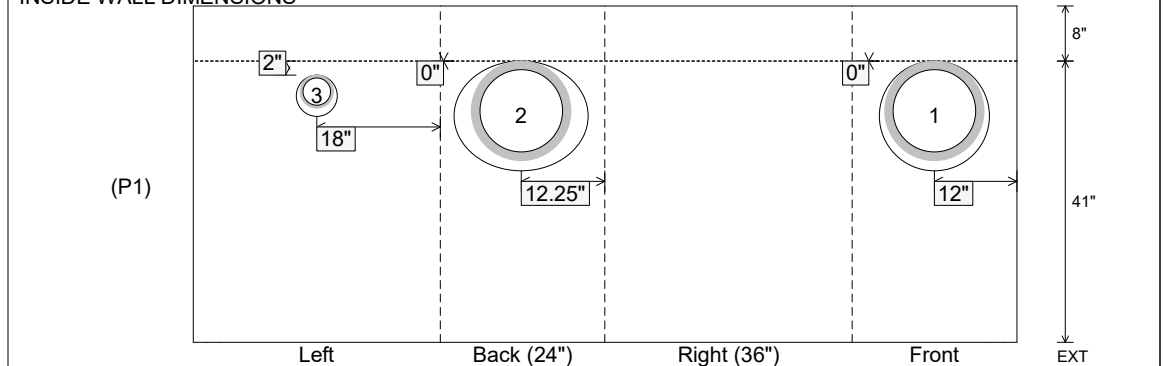
Position	Elev	Angle	Ext. (cw)	Pipe	Pipe OD	Connector	Hole	Horz Size	Up ( )	Offset
Invert 1	390.6'	0°	20"	12" HDPE	14.5"	Hole 16	16"	16"	0"	0"
Invert 2	390.6'	145°	14.5"	12" HDPE	14.5"	Hole 16	16"	19.532"	0"	10.5"
Invert 3	390.7'	270°	26"	4" HDPE (perf pipe)	4.8"	Hole 6	6"	6"	2"	0"
Invert 4										
Invert 5										
Invert 6										
Invert 7										
Invert 8										

RIGHT-SIDE UP VIEW (int. dimensions)

UPSIDE-DOWN VIEW (int. dimensions)



INSIDE WALL DIMENSIONS



Coating (Int):  
 Coating (Ext):

Seam Up: Flat  
 Seam Dn: n/a

Wall Thickness: 8"  
 Floor Height: 8"

Height (Int): 41"  
 Height (Ext): 49"

Weight (Net): 5261 lb  
 Volume (Net): 1.34cu.yd