

Job Name: 25-3438 - John H. Stigall Drive
Job Location: Danville, KY
Contractor: Todd Johnson Contracting, Inc.

PC: C. Goff
 TECH: J. Horsley - F
 Plant: 100

Structure ID: F-1

Spec: Storm
 Type: STM.MH (Recessed pipe)
 Size: 48"

Rim: 961.31'
 Invert: 954.78'
 Rim to Invert: 6.53'

Sump: 0"
 Floor (Top): 954.78'
 Floor Height: 6"

Floor (Bot): 954.28'
 Overall Height: 7'
 Slack: 0.36"

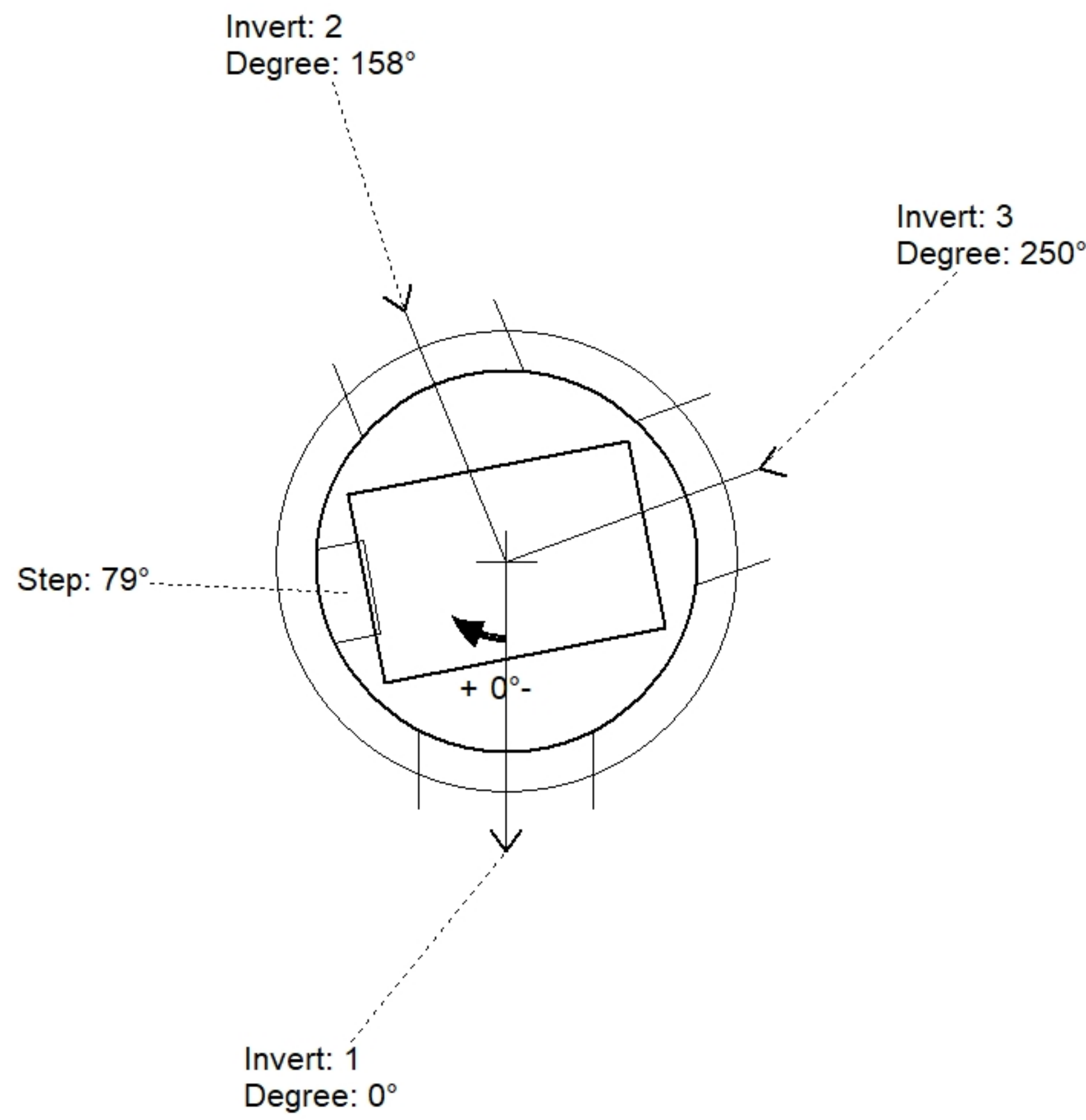
Structure Notes:

1. PER ASTM C478 SPECIFICATIONS.
2. CONCRETE = 4,000 PSI AT 28 DAYS.
3. NO STEPS AND NO INVERT CHANNEL.
4. CASTING BY ICAST (HOE 525 LV SET (F/G/H).

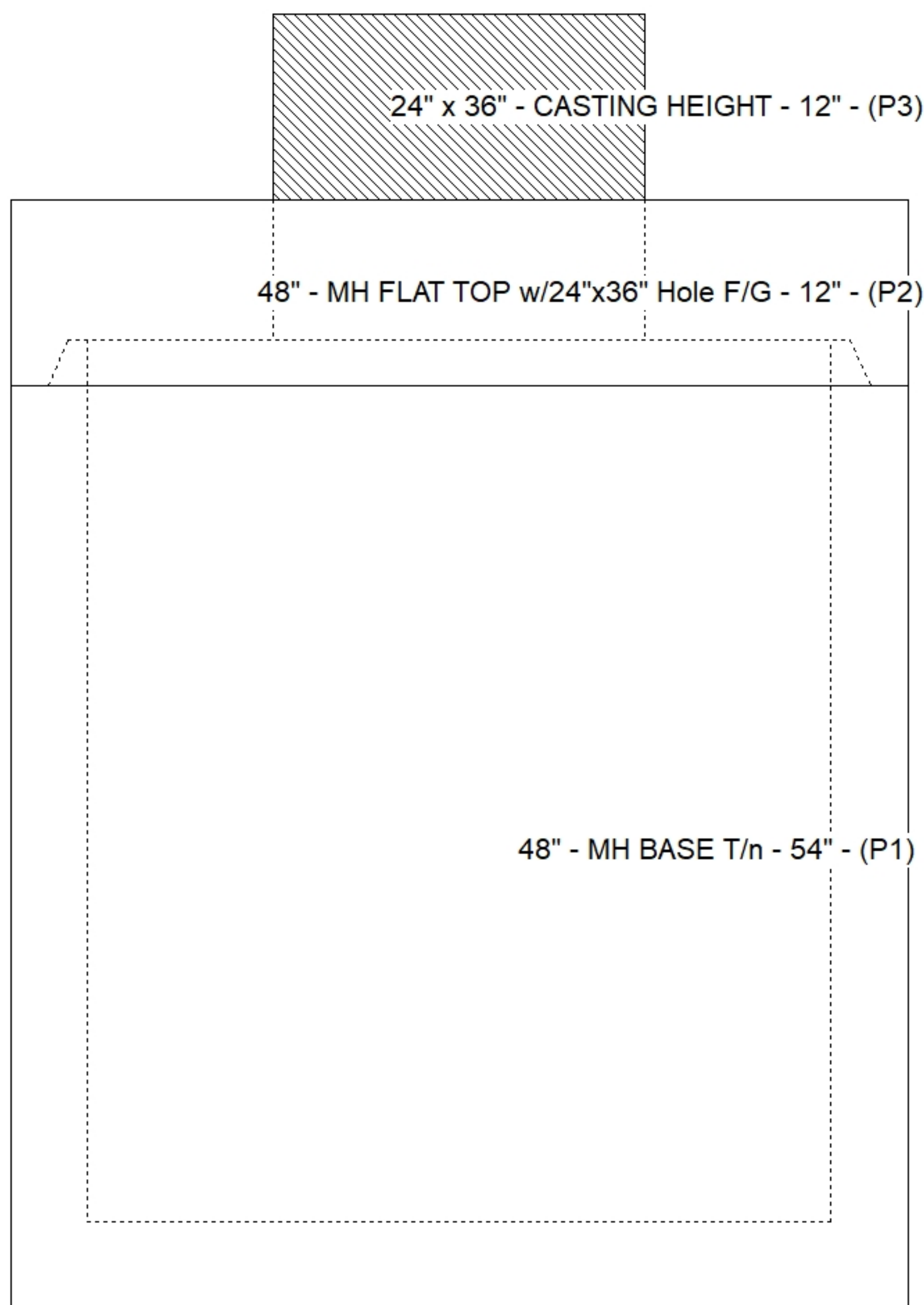
REINFORCING PER ASTM A615 (GRADE 60).
 - TOP SLAB (As .62) #5 BARS AT 6" C.C.E.W..
 - RISER/WALLS (As .12)
 - FLOOR (As .31) #5 BARS AT 12" C.C.E.W.

STRUCTURE SUMMARY:

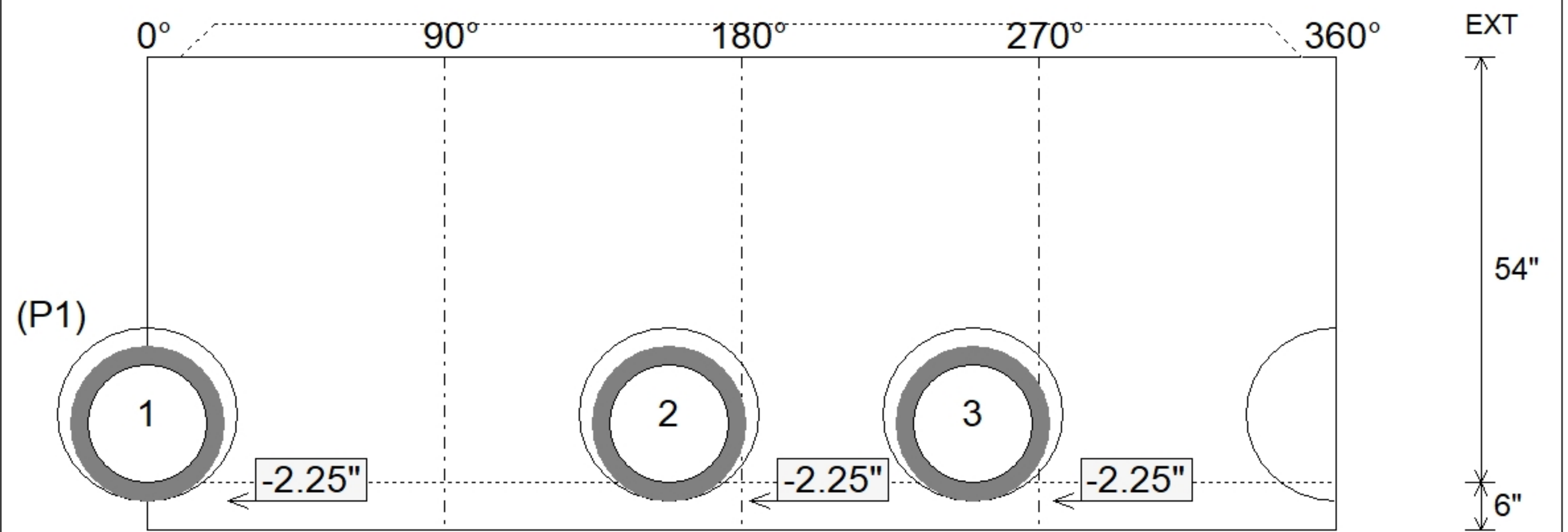
P3) 24" x 36" - CASTING HEIGHT - 12"	0 lb
P2) 48" - MH FLAT TOP w/24"x36" Hole F/G - 12"	1300 lb
P1) 48" - MH BASE T/n - 54"	4609 lb
1) STORM INVERT CHANNEL - 1/2 HEIGHT	1440 lb
1) CASTING - HOE 525 LV SET (F/G/H)	442 lb
1) 48" - Conseal CS-102 1.00"	0 lb
1) 24" x 36" - Conseal CS-102 1.00"	0 lb
3) Hole - 22	0 lb
5) MH Step ML-10-TDS-NCR - 10"	0 lb
Structure Total:	7791 lb



Position	Elev	Angle	Pipe	Pipe OD	Hole	Connector	Up ()	Ref
Rim	961.31'							
Reducer								
Invert 1	954.78'	0°	15" RCP B WALL	19.5"	22"	Hole 22	-2.25"	P1
Invert 2	954.78'	158°	15" RCP B WALL	19.5"	22"	Hole 22	-2.25"	P1
Invert 3	954.78'	250°	15" RCP B WALL	19.5"	22"	Hole 22	-2.25"	P1
Invert 4								
Invert 5								
Invert 6								
Invert 7								
Invert 8								



Cast (Int. Dim.) - Interior Dimensions



Submittal Drawing
 11/6/2025 4:39:30 PM

SUBMITTAL
 APPROVED BY: