

Job Name: 25-3438 - John H. Stigall Drive  
 Job Location: Danville, KY  
 Contractor: Todd Johnson Contracting, Inc.

Plant: 100

Tech: J. Horsley - F

11/6/2025 4:42:50 PM

PC: C. Goff

**Structure ID: C-3**

**P1 BX2436-08BVF**

**BOX BASE 8inW, 8inF, Variable Ht F/n**

P2) 24" x 36" - CASTING HEIGHT - 12"

P1) 24" x 36" - BOX BASE 8inW, 8inF, Variable Ht F/n - 25"

1) STORM INVERT CHANNEL - 1/2 HEIGHT

1) CASTING - HOE 525 LV SET (F/G/H)

1) 24" x 36" - Conseal CS-102 1.00"

1) Hole - 22"

0 lb  
 3666 lb  
 1440 lb  
 442 lb  
 0 lb  
 0 lb  
 -----  
 5548 lb

Structure Total: 5548 lb

Structure Notes:

1. PER ASTM C913 SPECIFICATIONS.
2. CONCRETE = 4,000 PSI AT 28 DAYS.
3. NO STEPS AND NO INVERT CHANNEL.
4. CASTING BY ICAST (HOE 525 LV SET (F/G/H)).

REINFORCING PER ASTM A615 (GRADE 60).  
 - WALLS (As .12) #5 BARS AT 12" C.C.E.W.  
 - FLOOR (As .12) #5 BARS AT 12" C.C.E.W.

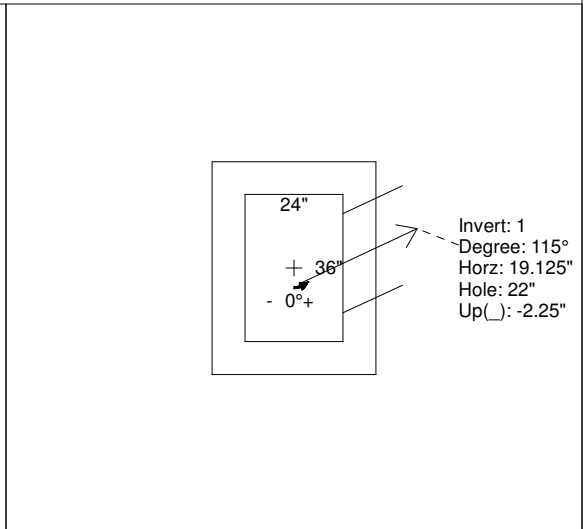
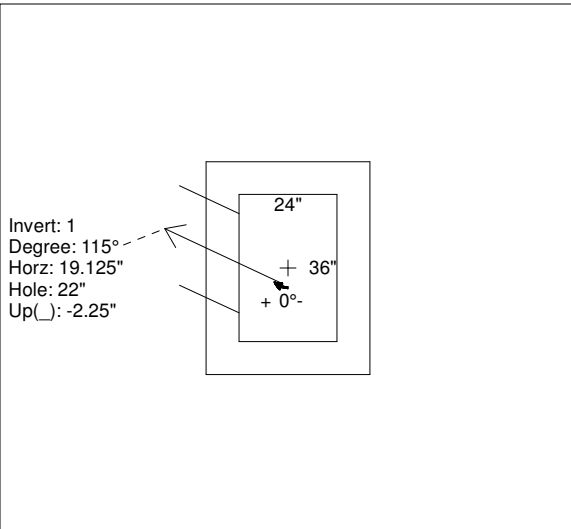
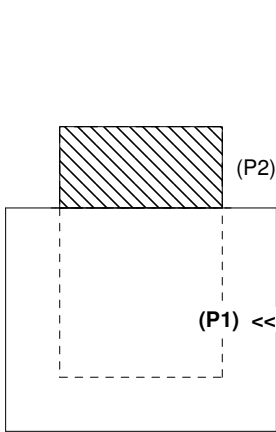
**SECONDARY POUR  
 REQUIRED  
 SEE SHEET P1A**

Rim: 968.4' Rim to Invert: 3.16' Slack: 0.92" Sump: 0" Step Position:

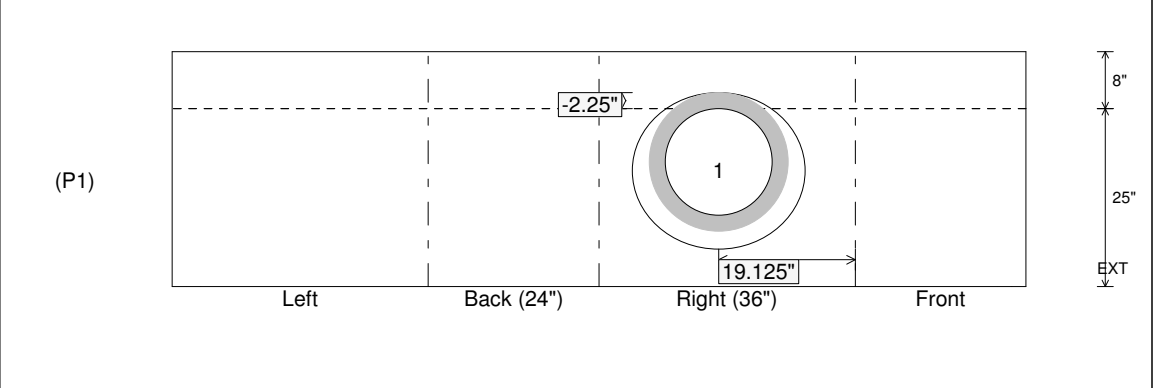
Position	Elev	Angle	Ext. (cw)	Pipe	Pipe OD	Connector	Hole	Horz Size	Up (⌋)	Offset
Invert 1	965.24'	115°	30.875"	15" RCP B WALL	19.5"	Hole 22	22"	24.274"	-2.25"	-4"
Invert 2										
Invert 3										
Invert 4										
Invert 5										
Invert 6										
Invert 7										
Invert 8										

RIGHT-SIDE UP VIEW (int. dimensions)

UPSIDE-DOWN VIEW (int. dimenions)



INSIDE WALL DIMENSIONS



Coating (Int):  
 Coating (Ext):

Seam Up: Flat  
 Seam Dn: n/a

Wall Thickness: 8"  
 Floor Height: 8"

Height (Int): 25"  
 Height (Ext): 33"

Weight (Net): 3666 lb  
 Volume (Net): 0.94cu.yd

Job Name: 25-3438 - John H. Stigall Drive  
 Job Location: Danville, KY  
 Contractor: Todd Johnson Contracting, Inc.

Plant: 100  
 11/6/2025 4:37:35 PM

Tech: J. Horsley - F  
 PC: C. Goff



**Structure ID: C-3**

**P1A STORMINVERT12**

**STORM INVERT CHANNEL 1/2 HEIGHT**

- P2) 24" x 36" - CASTING HEIGHT - 12"
- P1) 24" x 36" - BOX BASE 8inW, 8inF, Variable Ht F/n - 25"
- 1) STORM INVERT CHANNEL - 1/2 HEIGHT**
- 1) CASTING - HOE 525 LV SET (F/G/H)
- 1) 24" x 36" - Conseal CS-102 1.00"
- 1) Hole - 22"

0 lb  
 3666 lb  
 1440 lb  
 442 lb  
 0 lb  
 0 lb  
 -----  
 Structure Total: 5548 lb

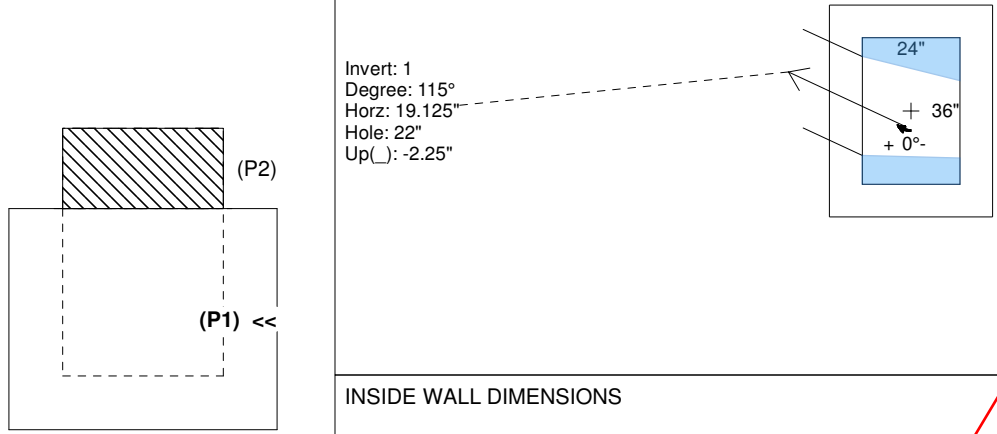
- Structure Notes:**
1. PER ASTM C913 SPECIFICATIONS.
  2. CONCRETE = 4,000 PSI AT 28 DAYS.
  3. NO STEPS AND NO INVERT CHANNEL.
  4. CASTING BY ICAST (HOE 525 LV SET (F/G/H)).

REINFORCING PER ASTM A615 (GRADE 60).  
 - WALLS (As .12) #5 BARS AT 12" C.C.E.W.  
 - FLOOR (As .12) #5 BARS AT 12" C.C.E.W.

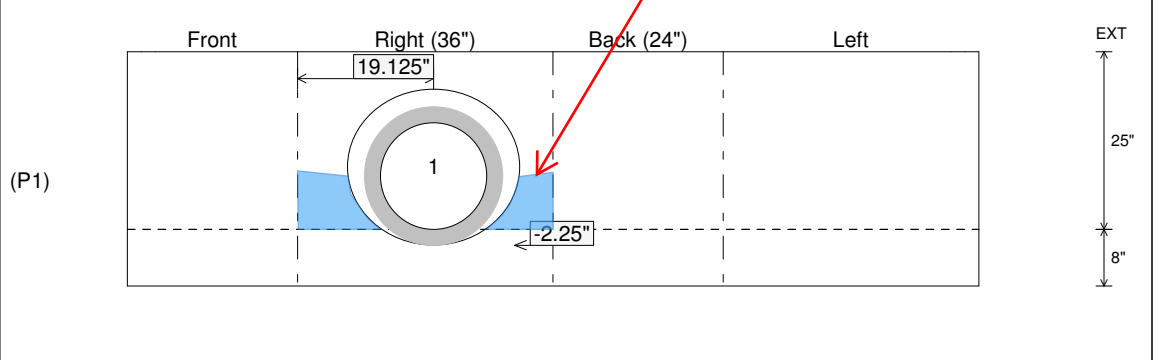
Rim: 968.4' Rim to Invert: 3.16' Slack: 0.92" Sump: 0" Step Position:

Position	Elev	Angle	Ext. (cw)	Pipe	Pipe OD	Connector	Hole	Horz Size	Up ( )	Offset
Invert 1	965.24'	115°	30.875"	15" RCP B WALL	19.5"	Hole 22	22"	24.274"	-2.25"	-4"
Invert 2										
Invert 3										
Invert 4										
Invert 5										
Invert 6										
Invert 7										
Invert 8										

**RIGHT-SIDE UP VIEW (int. dimensions) - - SECONDARY POUR**



**INSIDE WALL DIMENSIONS**



Coating (Int): Coating (Ext):	Seam Up: Flat Seam Dn: n/a	Wall Thickness: 8" Floor Height: 8"	Height (Int): 25" Height (Ext): 33"	Weight (Net): 3666 lb Volume (Net): 0.94cu.yd
----------------------------------	-------------------------------	--	--	--