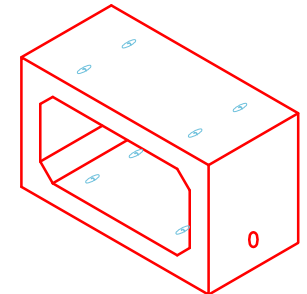
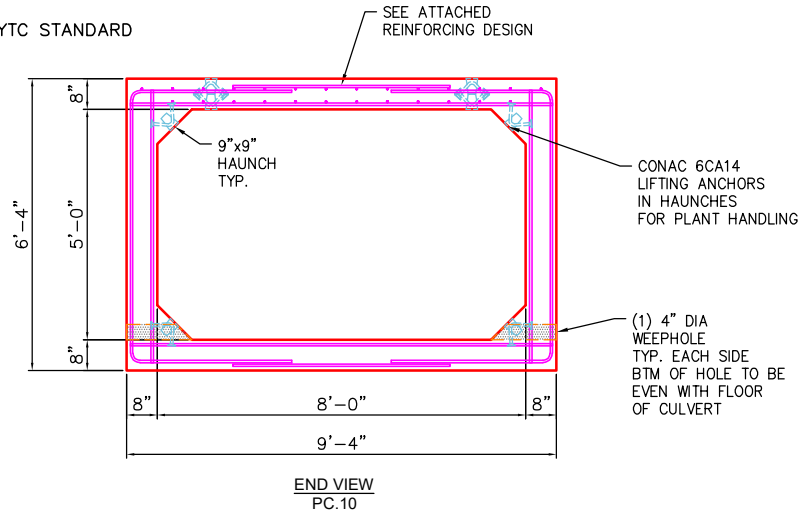
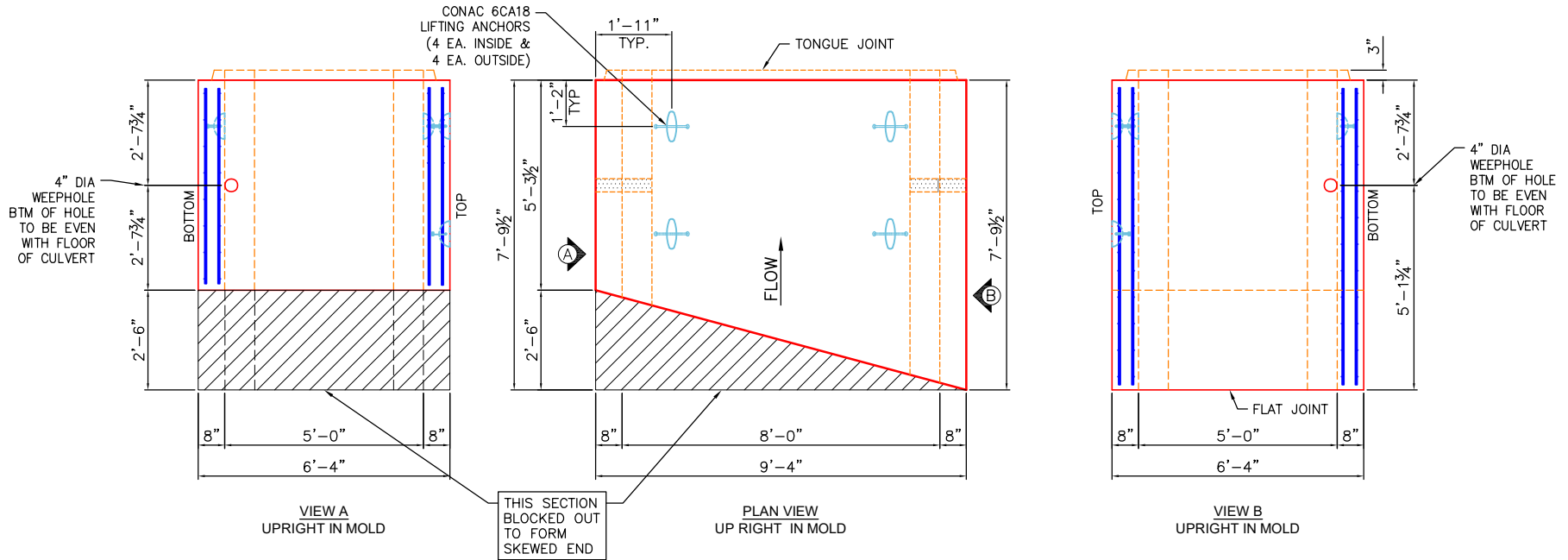



NOTES:

- BOX CULVERT IS DESIGNED PER SECTION 605 OF THE KYTC STANDARD SPECIFICATIONS FOR ROAD & BRIDGE CONSTRUCTION.
 - KYTC STAMP REQUIRED.
 - WEEP HOLES REQUIRED.
- LOAD REQUIREMENTS = KY-HL93 (KY TABLE 1).
- COVER DEPTH = 0' TO 2'.
- CONCRETE: 5,000 PSI AT 28 DAYS.
- JOINT SEALANT = 1" BUTYL MASTIC (CS 102).
- EXTERIOR JOINT WRAP = 12" WIDE CS212.
- REINFORCING PER ASTM C1577 (GRADE 60).
- WEIGHT = 8'x5' RCBC = 2,934 LBS/L.FT
(5.75' LONG SECTIONS = 16,871 LBS)
(SEC. 10 = 19,072 LBS)



COMPONENT ISOMETRIC VIEW



PRODUCTION WORK ORDER		PRODUCT I.D.: BC060096-08WLF-9H	DESCRIPTION: 60"x96"x93.5" BOX CULV. (8W & 9" HAUNCH)		
	QUALITY CONTROL CHECKLIST		PRODUCT VIEW: RIGHT SIDE UP		
	<input type="checkbox"/> ALL DIMENSIONS CORRECT. <input type="checkbox"/> LIFTERS INSTALLED INSIDE. <input type="checkbox"/> RECESS WITH HAUNCHES CORRECT. <input type="checkbox"/> REINFORCING CORRECT. <input type="checkbox"/> SURFACE QUALITY ACCEPTABLE. <input type="checkbox"/> LIFTERS INSTALLED OUTSIDE. <input type="checkbox"/> PRODUCT SQUARE.		CUSTOMER: TODD JOHNSON CONTRACTING		
			PLANT: BEAVER DAM, KY.		
			PROJECT: JOHN H. SITGALL DRIVE		
			STRUCTURE: 8x3 BC (PC. 10)		
		TOP JOINT: TONGUE		SALES ORDER/QUOTE NO: 25-3438	
		BOTTOM JOINT: FLAT		CHECK: B. SMITH DRAWING: J. HORSLEY	
		QC CHECK INITIALS:		DATE: 11/07/25	SCALE: NTS PG. 1 of 1