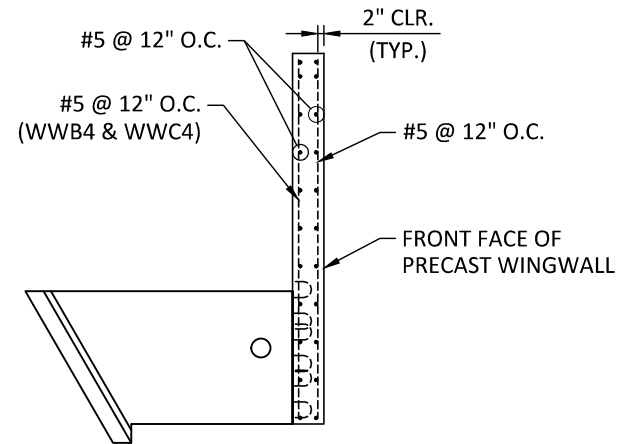
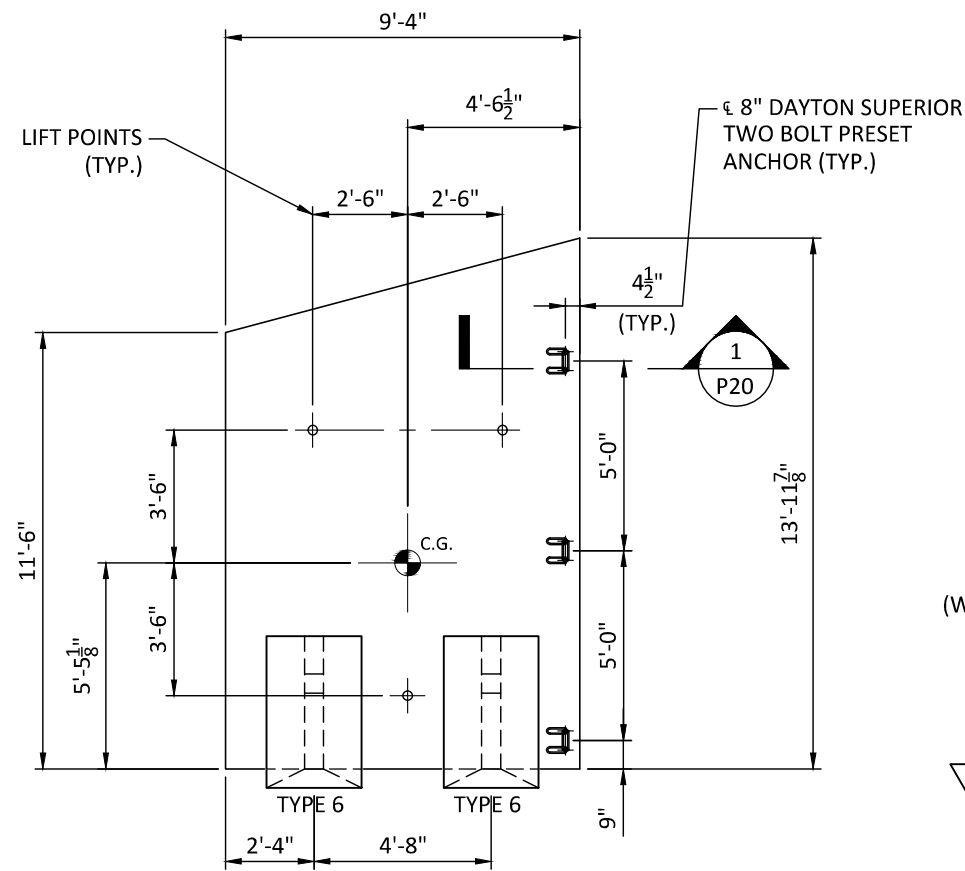


25-3437 - TDOT Jackson CO CNZ250  
 SR 53 CULVERT REPLACEMENT  
 WWC4 - 1 TOTAL REQUIRED



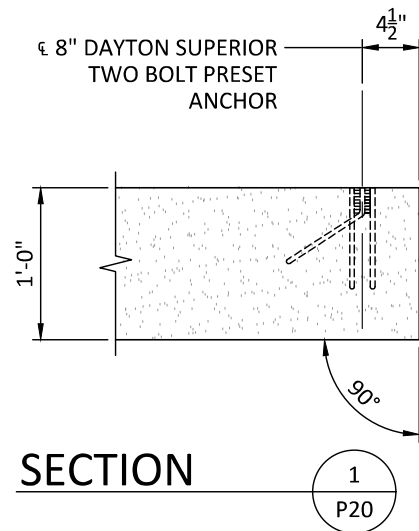
**ELEVATION - WINGWALL WWC4**

TOTAL WEIGHT = 11.2 TONS

PROVIDE (1) 14' LONG x 2' WIDE STRIP OF FILTER FABRIC

**REINFORCING SECTION**

NOT TO SCALE



**DESIGN NOTES**

1. ALL EDGES TO HAVE 3/4" CHAMFER
2. F'c = 5,000 PSI
3. WALL PANEL WILL NOT HANG LEVEL, ADJUST LIFTING CABLES AS REQUIRED
4. ELEVATION LOOKING AT BACK FACE OF WINGWALL
5. WINGWALLS TO BE CONSTRUCTED USING EPOXY COATED REINFORCEMENT

APPROVED  
 1/15/2026

*Deed A. King*  
 ENGR. DIRECTOR, STRUCTURES



**FOR APPROVAL**

DATE	DESCRIPTION	ENG	STATE PROJECT # 445053-M3-005	PIN NO. 136243.00	BRIDGE ID # 44SR0530017
7					
6					
5					
4					
3					
2					
1	1/14/26	JJC	NO CHANGES THIS SHEET	LOCALE: JACKSON COUNTY	STATE: TN

**SR 53 CULVERT REPLACEMENT**

PROVIDED BY:



981 W 7TH STREET  
 BEAVER DAM, KY 42320  
 270.363.2238

DESIGNED BY:



P.O. BOX 351  
 BELLBROOK, OH 45305  
 800.241.0925

PROJECT NUMBER: 25-429

DATE: 12/17/2025

DESIGNED BY: KDK

DRAWN BY: SP

CHECKED BY: TEN

**P20**