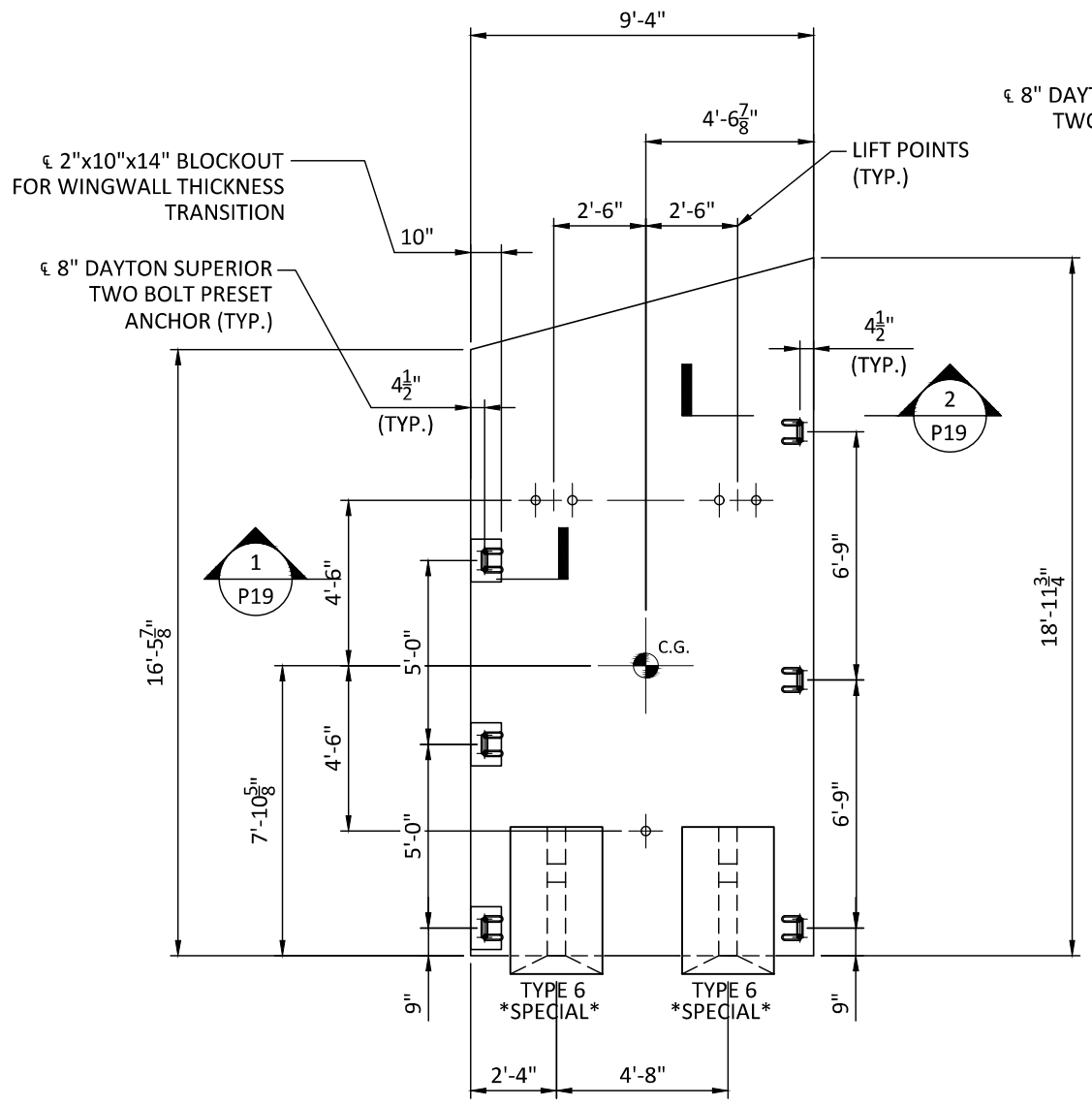


25-3437 - TDOT Jackson CO CNZ250  
 SR 53 CULVERT REPLACEMENT  
 WWWC3 - 1 TOTAL REQUIRED

APPROVED  
 1/15/2026

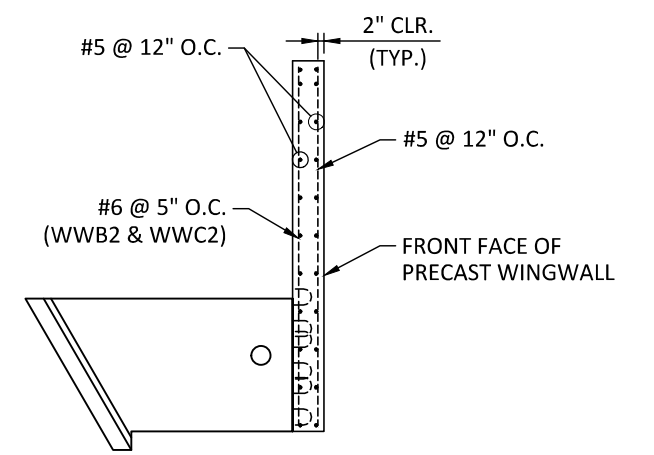
*Del A. Kring*  
 ENGR. DIRECTOR, STRUCTURES



**ELEVATION - WINGWALL WWB2 & WWC2**

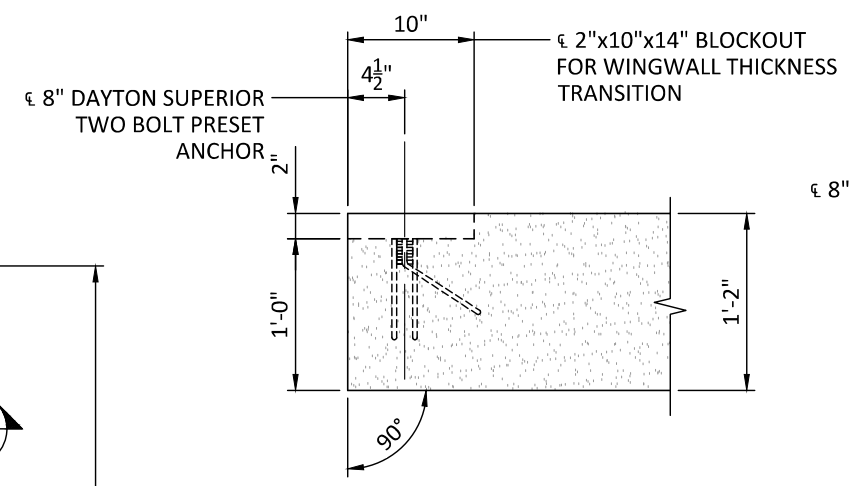
TOTAL WEIGHT = 16.8 TONS

PROVIDE (1) 19' LONG x 2' WIDE STRIP OF FILTER FABRIC



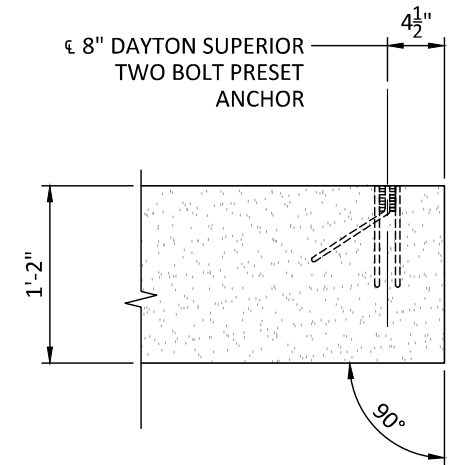
**REINFORCING SECTION**

NOT TO SCALE



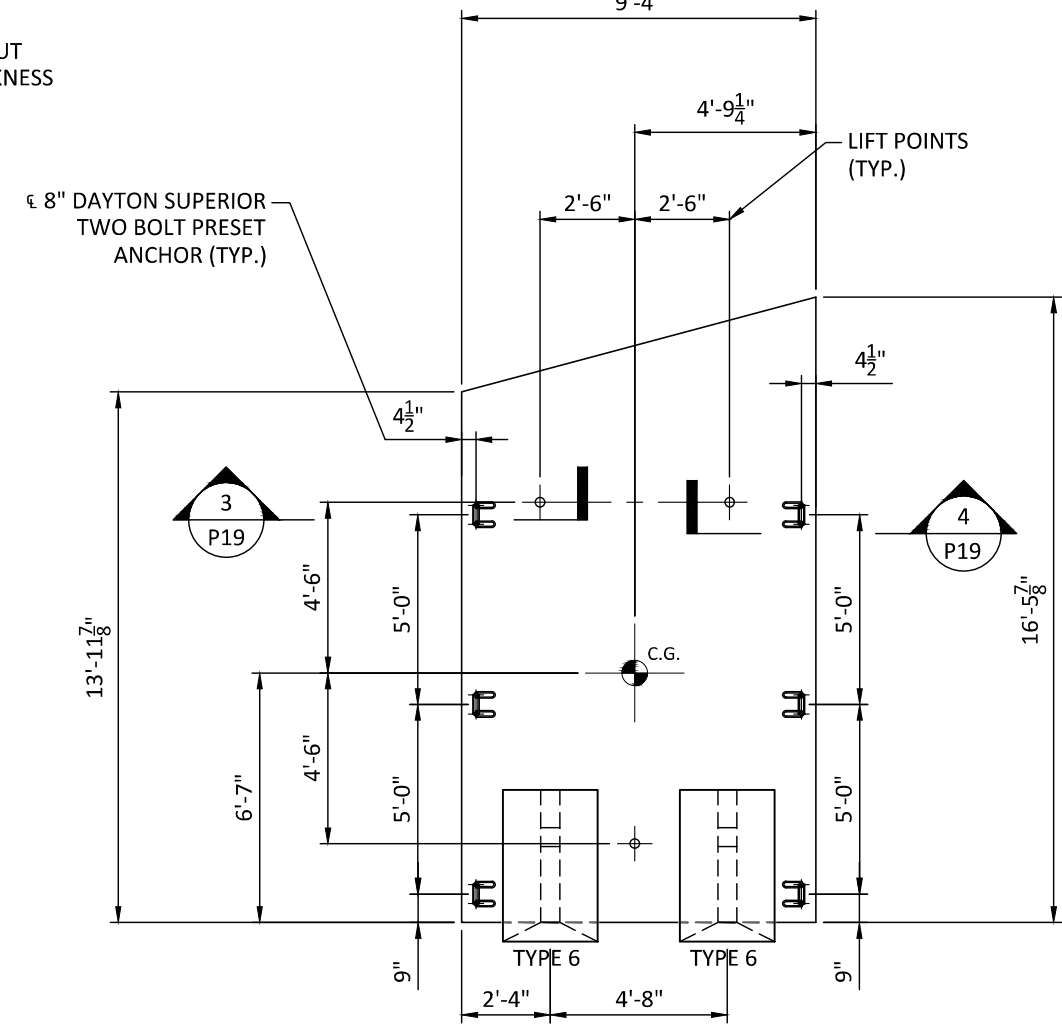
**SECTION 1**

P19



**SECTION 2**

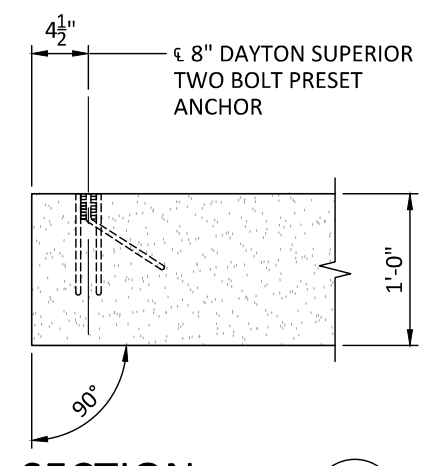
P19



**ELEVATION - WINGWALL WWB3 & WWC3**

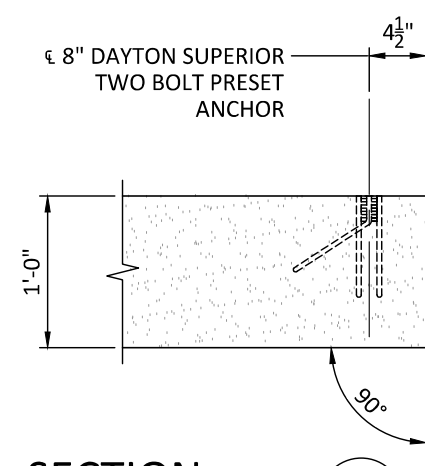
TOTAL WEIGHT = 13.0 TONS

PROVIDE (1) 17' LONG x 2' WIDE STRIP OF FILTER FABRIC



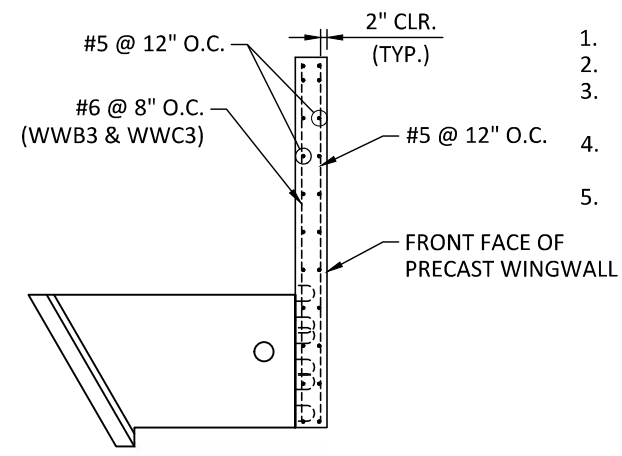
**SECTION 3**

P19



**SECTION 4**

P19



**REINFORCING SECTION**

NOT TO SCALE

**DESIGN NOTES**

- ALL EDGES TO HAVE 3/8" CHAMFER
- F<sub>c</sub> = 5,000 PSI
- WALL PANEL WILL NOT HANG LEVEL, ADJUST LIFTING CABLES AS REQUIRED
- ELEVATION LOOKING AT BACK FACE OF WINGWALL
- WINGWALLS TO BE CONSTRUCTED USING EPOXY COATED REINFORCEMENT



**FOR APPROVAL**

		DATE	DESCRIPTION	ENG	STATE PROJECT # 445053-M3-005	PIN NO. 136243.00	BRIDGE ID # 445R0530017	PROVIDED BY: 	DESIGNED BY: 	PROJECT NUMBER: 25-429	619	
		7			<b>SR 53 CULVERT REPLACEMENT</b>			981 W 7TH STREET BEAVER DAM, KY 42320 270.363.2238		P.O. BOX 351 BELLBROOK, OH 45305 800.241.0925		
		6										
		5										
		4										
		3										
		2										
		1	1/14/26	NO CHANGES THIS SHEET	JJC	LOCALE: JACKSON COUNTY	STATE: TN			DRAWN BY: SP CHECKED BY: TEN		