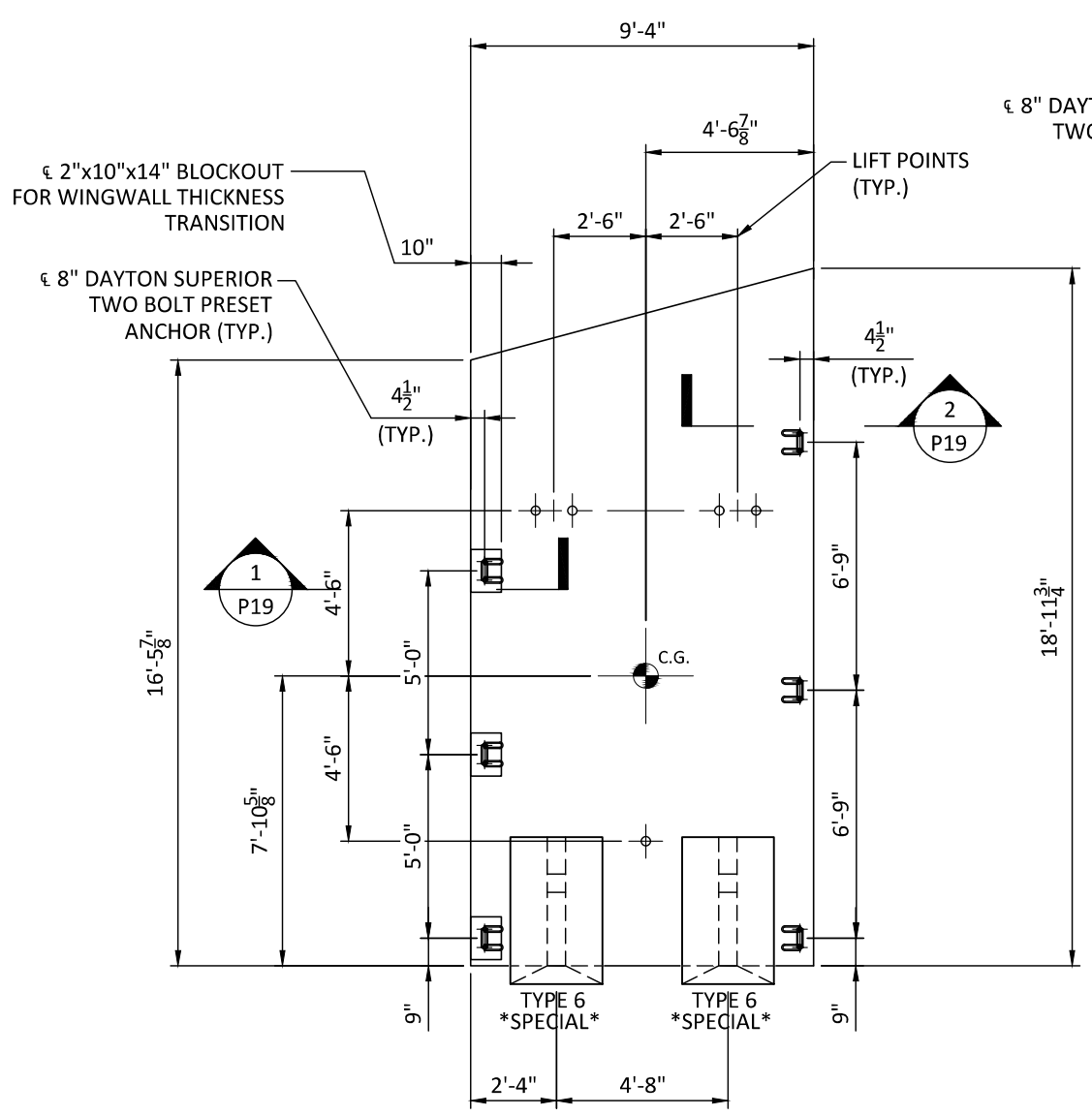


25-3437 - TDOT Jackson CO CNZ250  
 SR 53 CULVERT REPLACEMENT  
 WWWC2 - 1 TOTAL REQUIRED

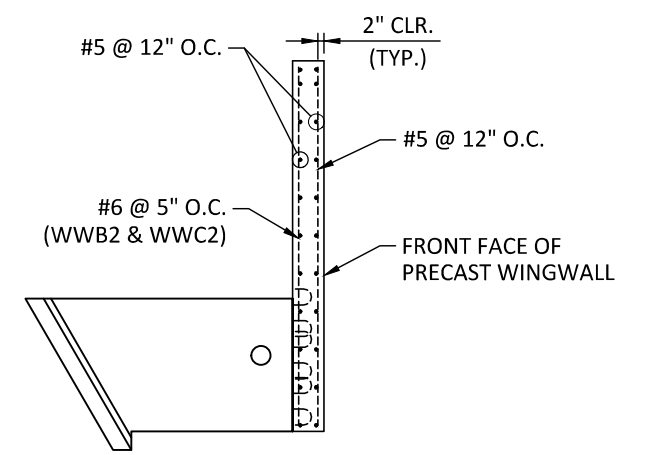
APPROVED  
 1/15/2026

*Del A. Krueger*  
 ENGR. DIRECTOR, STRUCTURES

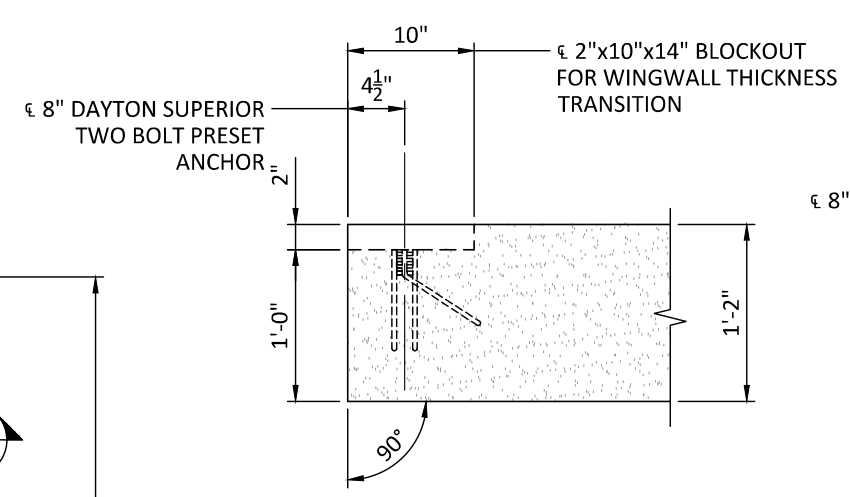


**ELEVATION - WINGWALL WWB2 & WWC2**

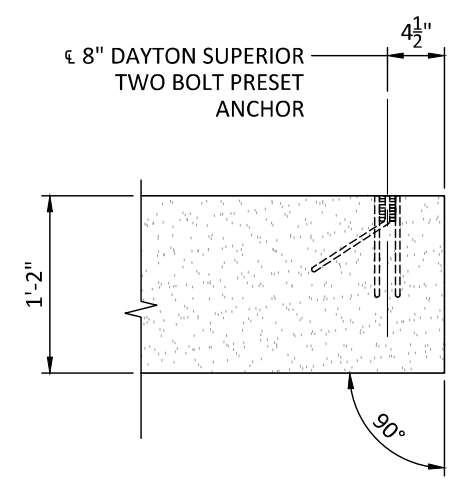
**TOTAL WEIGHT = 16.8 TONS**  
 PROVIDE (1) 19' LONG x 2' WIDE STRIP OF FILTER FABRIC



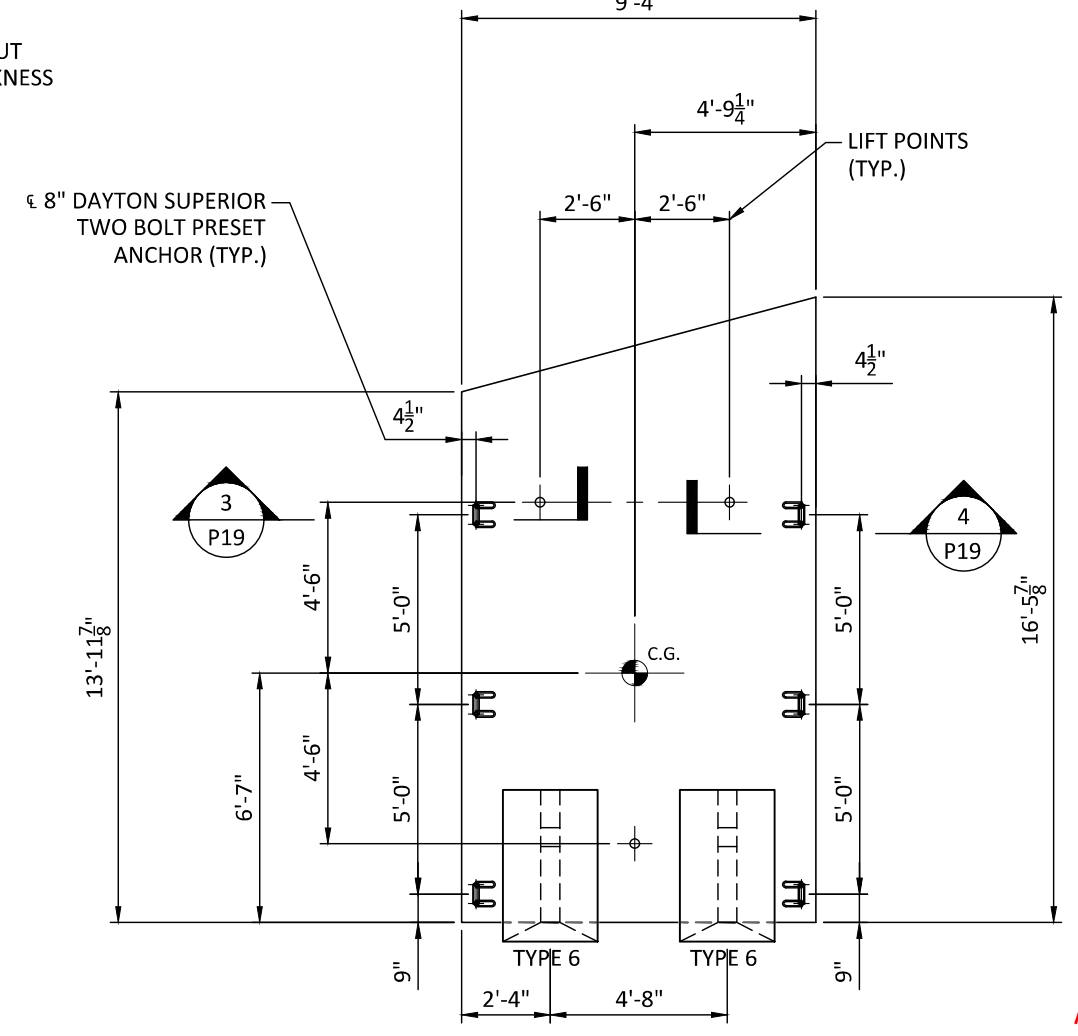
**REINFORCING SECTION**  
NOT TO SCALE



**SECTION 1**  
P19

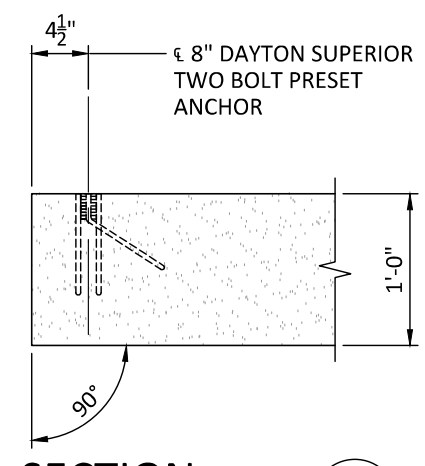


**SECTION 2**  
P19

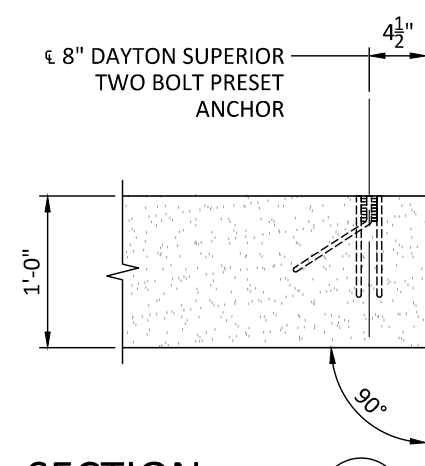


**ELEVATION - WINGWALL WWB3 & WWC3**

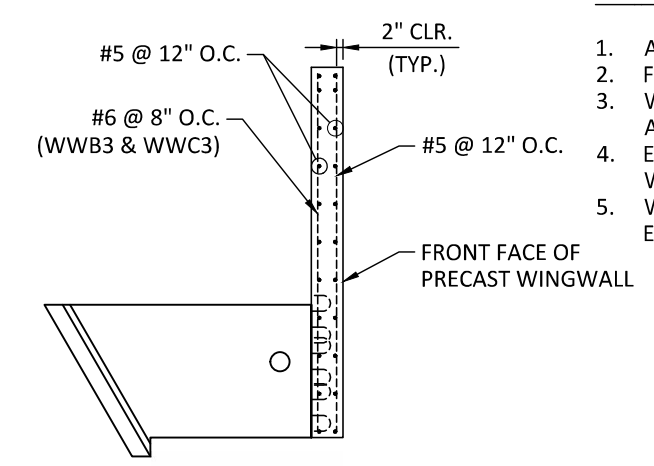
**TOTAL WEIGHT = 13.0 TONS**  
 PROVIDE (1) 17' LONG x 2' WIDE STRIP OF FILTER FABRIC



**SECTION 3**  
P19



**SECTION 4**  
P19



**REINFORCING SECTION**  
NOT TO SCALE

- DESIGN NOTES**
- ALL EDGES TO HAVE 3/4" CHAMFER
  - F<sub>c</sub> = 5,000 PSI
  - WALL PANEL WILL NOT HANG LEVEL, ADJUST LIFTING CABLES AS REQUIRED
  - ELEVATION LOOKING AT BACK FACE OF WINGWALL
  - WINGWALLS TO BE CONSTRUCTED USING EPOXY COATED REINFORCEMENT



**FOR APPROVAL**

DATE	DESCRIPTION	ENG	STATE PROJECT # 445053-M3-005	PIN NO. 136243.00	BRIDGE ID # 445R0530017	PROVIDED BY:	DESIGNED BY:	PROJECT NUMBER: 25-429
7						 981 W 7TH STREET BEAVER DAM, KY 42320 270.363.2238	 P.O. BOX 351 BELLBROOK, OH 45305 800.241.0925	DATE: 12/17/2025
6					DESIGNED BY: KDK			
5					DRAWN BY: SP			
4					CHECKED BY: TEN			
3								
2								
1	1/14/26	NO CHANGES THIS SHEET	JJC	LOCALE: JACKSON COUNTY	STATE: TN			

**SR 53 CULVERT REPLACEMENT**

**619**