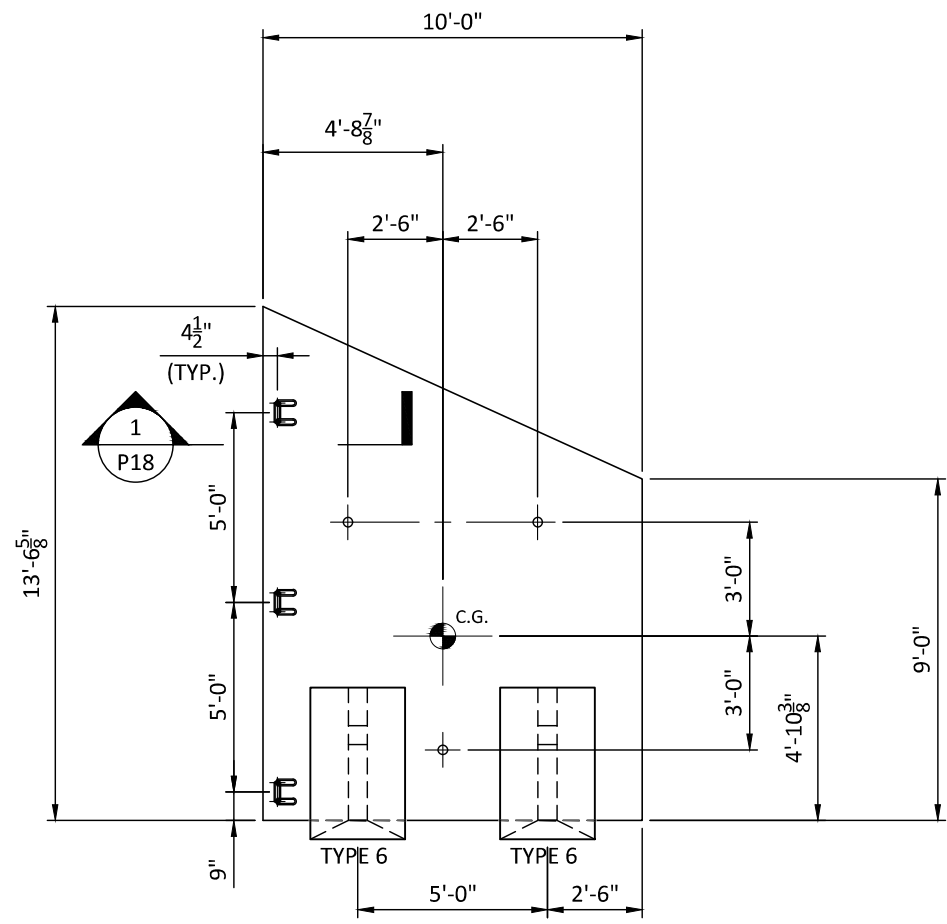
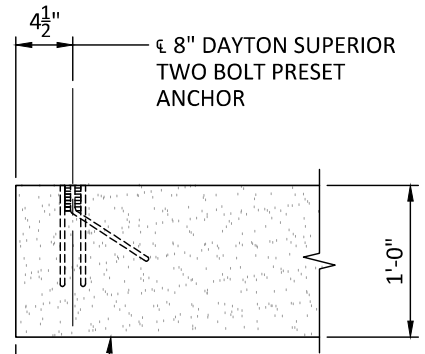


25-3437 - TDOT Jackson CO CNZ250  
 SR 53 CULVERT REPLACEMENT  
 WWWC1 - 1 TOTAL REQUIRED

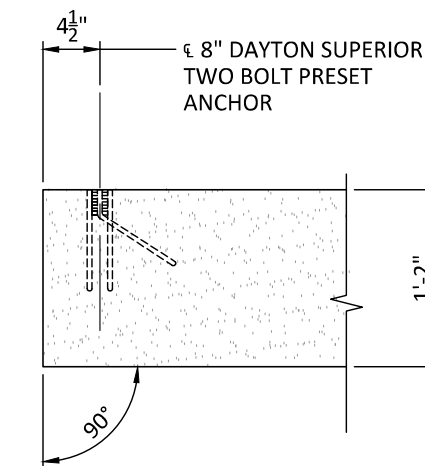


**ELEVATION - WINGWALL WWA3 & WWD3**

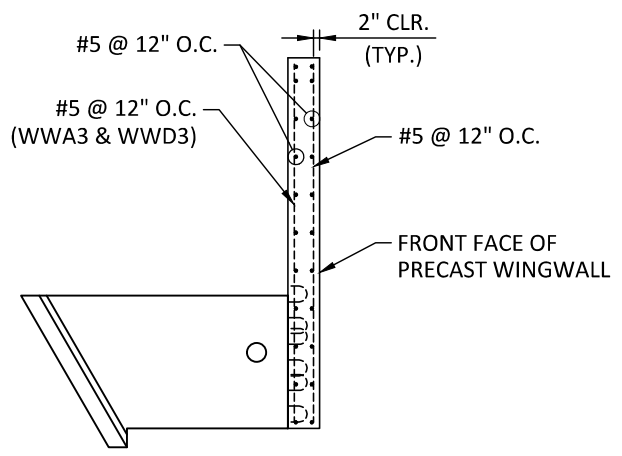
TOTAL WEIGHT = 10.8 TONS  
 PROVIDE (1) 14' LONG x 2' WIDE STRIP OF FILTER FABRIC



SECTION 1 P18

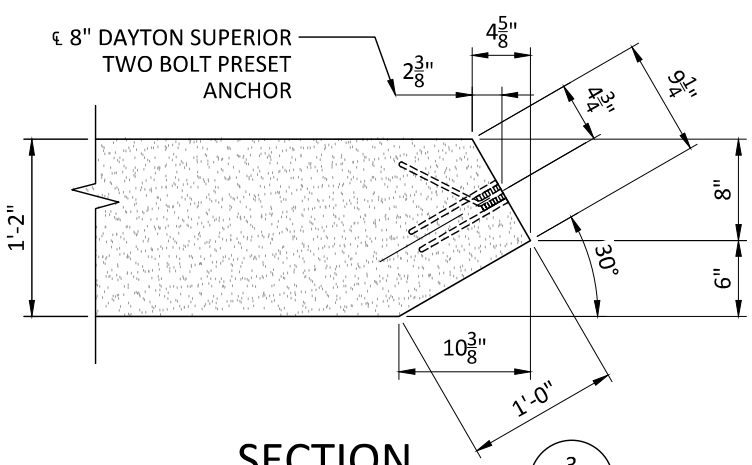


SECTION 2 P18

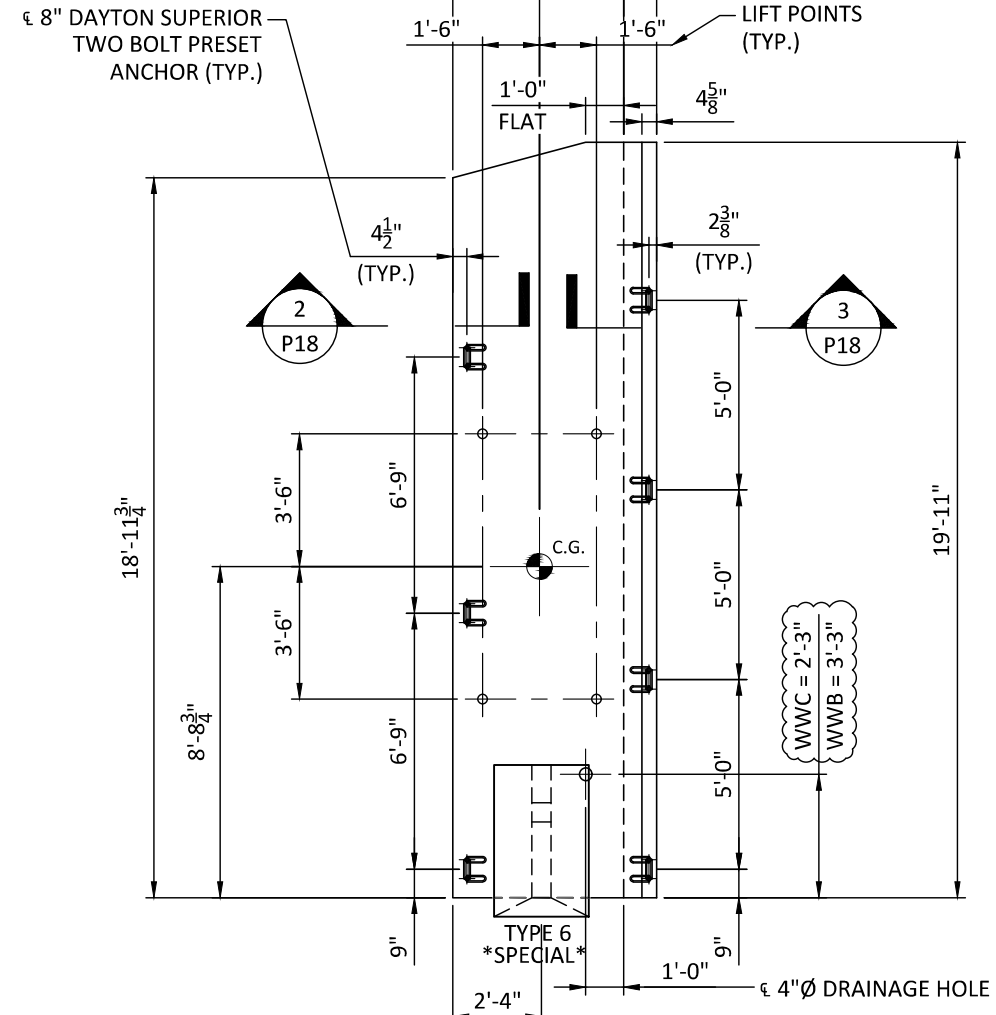


**REINFORCING SECTION**

NOT TO SCALE

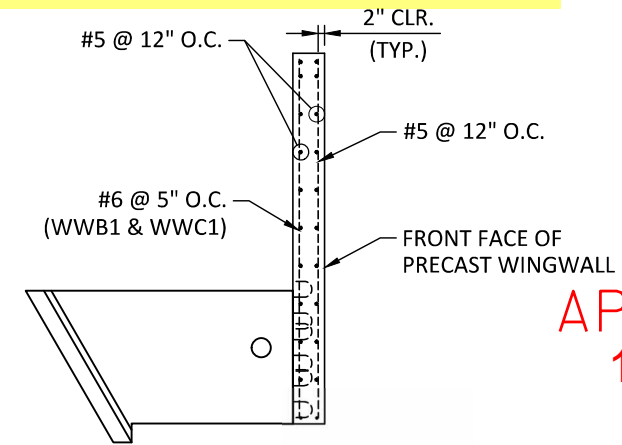


SECTION 3 P18



**ELEVATION - WINGWALL WWB1 & WWC1**

TOTAL WEIGHT = 8.9 TONS  
 PROVIDE 4"Ø x 33' PERFORATED DRAIN W/ELBOW, END CAP AND FILTER FABRIC SOCK  
 PROVIDE (1) 20' LONG x 2' WIDE STRIP OF FILTER FABRIC



**REINFORCING SECTION**

NOT TO SCALE

**DESIGN NOTES**

1. ALL EDGES TO HAVE 3/4" CHAMFER
2. F'c = 5,000 PSI
3. WALL PANEL WILL NOT HANG LEVEL, ADJUST LIFTING CABLES AS REQUIRED
4. ELEVATION LOOKING AT BACK FACE OF WINGWALL
5. WINGWALLS TO BE CONSTRUCTED USING EPOXY COATED REINFORCEMENT

**APPROVED**  
 1/15/2026

*Dee A. King*  
 ENGR. DIRECTOR, STRUCTURES



**FOR APPROVAL**

DATE	DESCRIPTION	ENG	STATE PROJECT # 445053-M3-005	PIN NO. 136243.00	BRIDGE ID # 445R0530017	PROVIDED BY:	DESIGNED BY:	PROJECT NUMBER: 25-429
7						 981 W 7TH STREET BEAVER DAM, KY 42320 270.363.2238	 P.O. BOX 351 BELLBROOK, OH 45305 800.241.0925	DATE: 12/17/2025
6					DESIGNED BY: KDK			
5					DRAWN BY: SP			
4					CHECKED BY: TEN			
3								
2								
1	1/14/26	REVISIONS PER COMMENTS	JJC	LOCALE: JACKSON COUNTY	STATE: TN			

**SR 53 CULVERT REPLACEMENT**

**P18**