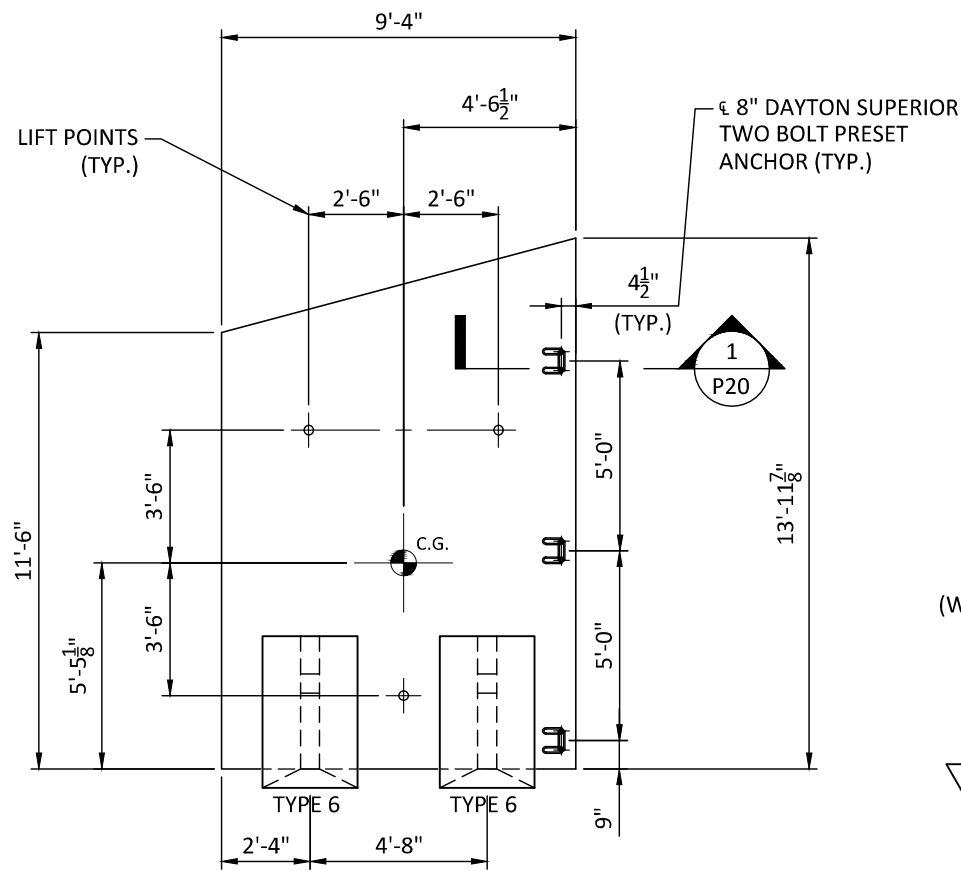
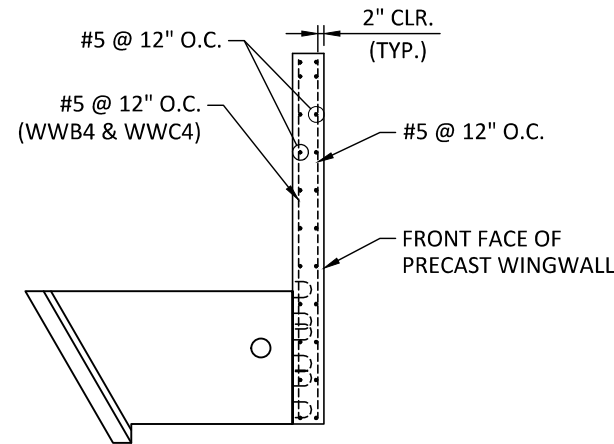


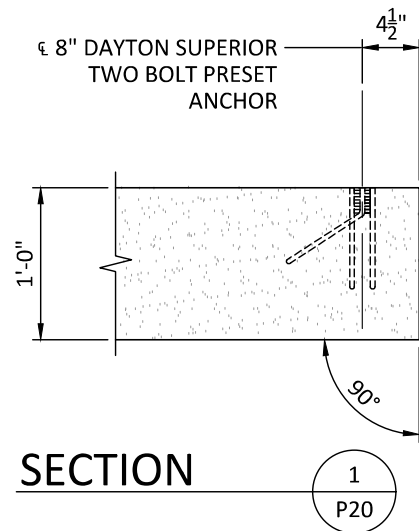
25-3437 - TDOT Jackson CO CNZ250
 SR 53 CULVERT REPLACEMENT
 WWB4 - 1 TOTAL REQUIRED



ELEVATION - WINGWALL WWB4
 TOTAL WEIGHT = 11.2 TONS
 PROVIDE (1) 14' LONG x 2' WIDE STRIP OF FILTER FABRIC



REINFORCING SECTION
 NOT TO SCALE



SECTION

DESIGN NOTES

1. ALL EDGES TO HAVE 3/4" CHAMFER
2. F'c = 5,000 PSI
3. WALL PANEL WILL NOT HANG LEVEL, ADJUST LIFTING CABLES AS REQUIRED
4. ELEVATION LOOKING AT BACK FACE OF WINGWALL
5. WINGWALLS TO BE CONSTRUCTED USING EPOXY COATED REINFORCEMENT

APPROVED
 1/15/2026

Deed A. King
 ENGR. DIRECTOR, STRUCTURES



FOR APPROVAL

DATE	DESCRIPTION	ENG	STATE PROJECT # 44S053-M3-005	PIN NO. 136243.00	BRIDGE ID # 44SR0530017
7					
6					
5					
4					
3					
2					
1	1/14/26 NO CHANGES THIS SHEET	JJC	LOCALE: JACKSON COUNTY		STATE: TN

SR 53 CULVERT REPLACEMENT

PROVIDED BY:

 981 W 7TH STREET
 BEAVER DAM, KY 42320
 270.363.2238

DESIGNED BY:

 P.O. BOX 351
 BELLBROOK, OH 45305
 800.241.0925

PROJECT NUMBER: 25-429
DATE: 12/17/2025
DESIGNED BY: KDK
DRAWN BY: SP
CHECKED BY: TEN

P20