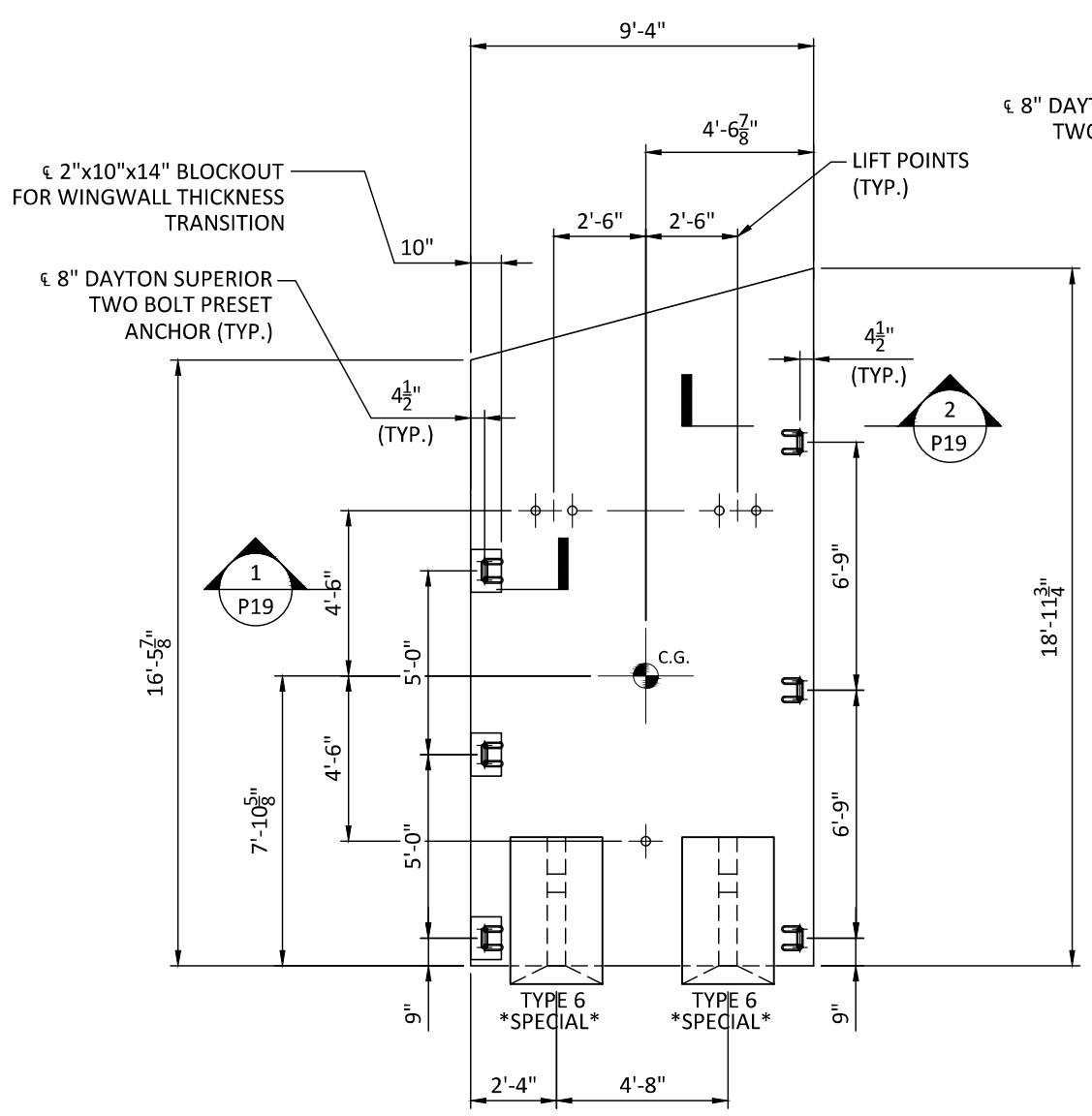


25-3437 - TDOT Jackson CO CNZ250
 SR 53 CULVERT REPLACEMENT
 WWB3 - 1 TOTAL REQUIRED

APPROVED
 1/15/2026

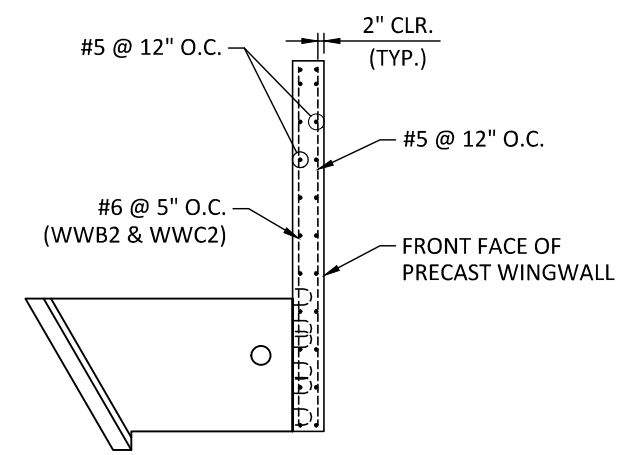
Del A. Kunguwoyo
 ENGR. DIRECTOR, STRUCTURES



ELEVATION - WINGWALL WWB2 & WWC2

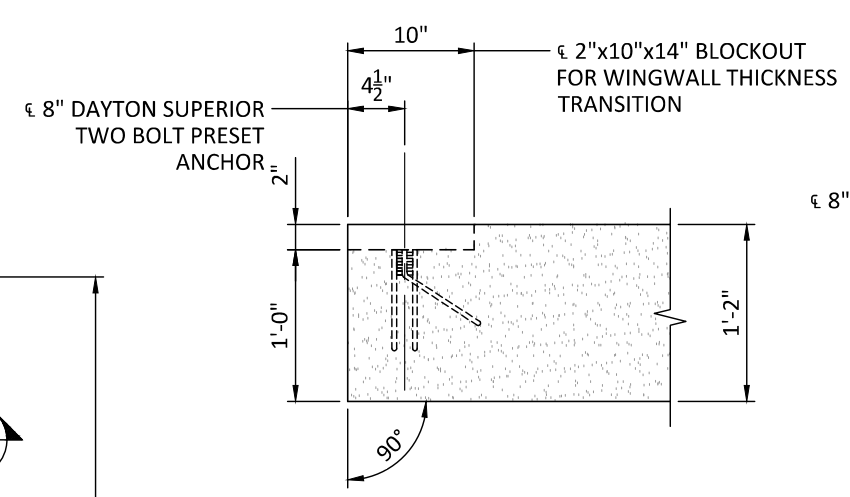
TOTAL WEIGHT = 16.8 TONS

PROVIDE (1) 19' LONG x 2' WIDE STRIP OF FILTER FABRIC



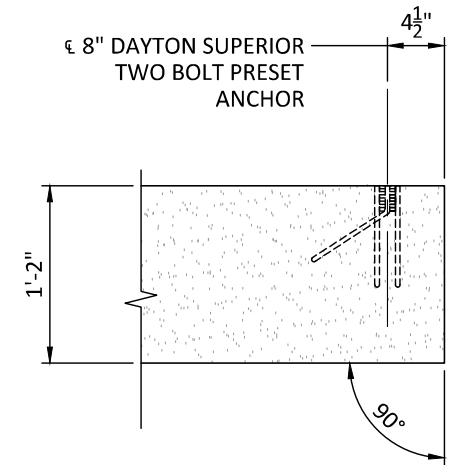
REINFORCING SECTION

NOT TO SCALE



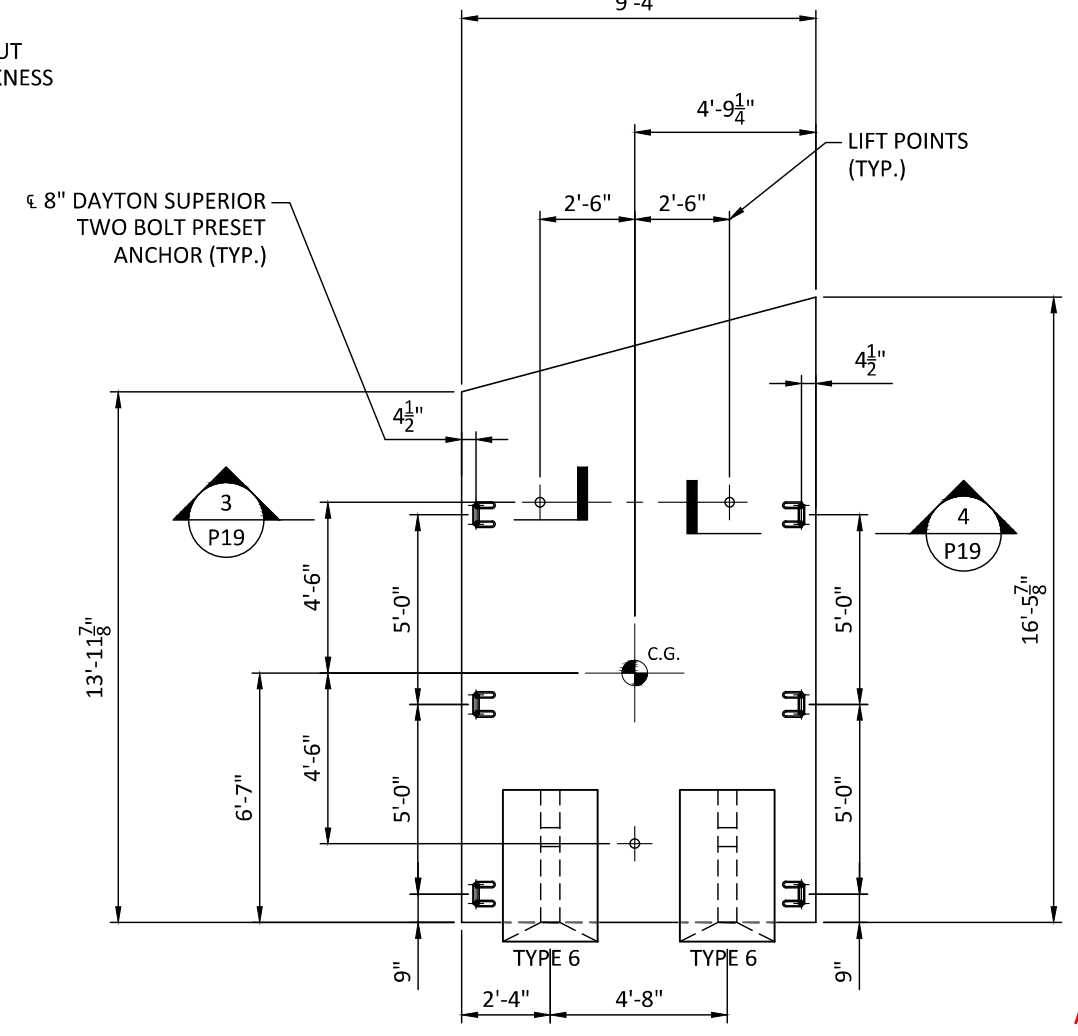
SECTION 1

P19



SECTION 2

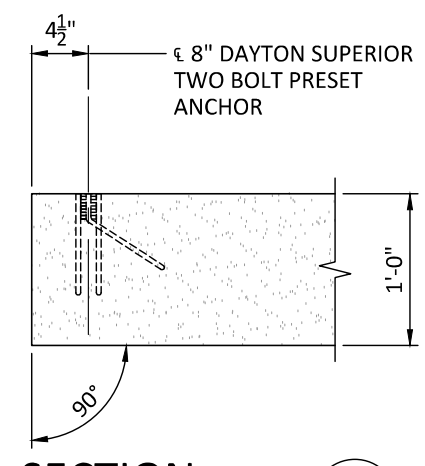
P19



ELEVATION - WINGWALL WWB3 & WWC3

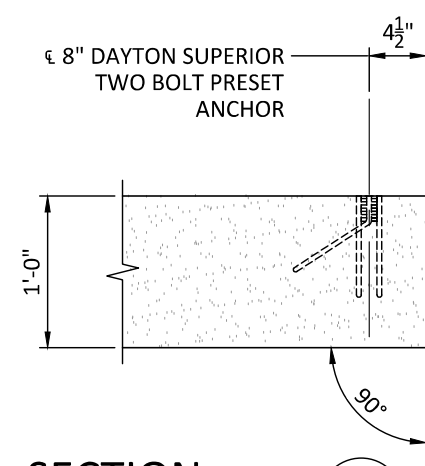
TOTAL WEIGHT = 13.0 TONS

PROVIDE (1) 17' LONG x 2' WIDE STRIP OF FILTER FABRIC



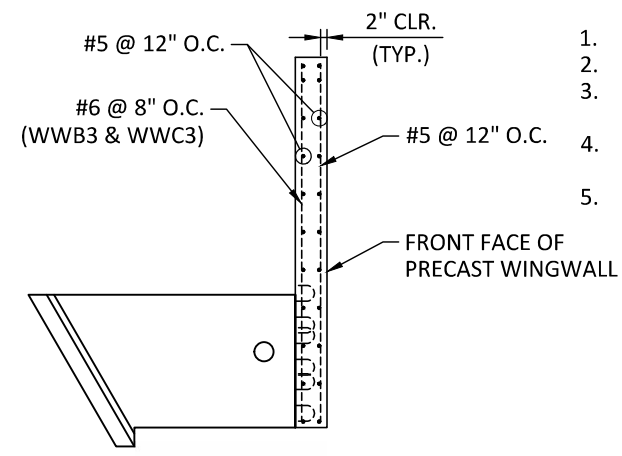
SECTION 3

P19



SECTION 4

P19



REINFORCING SECTION

NOT TO SCALE

DESIGN NOTES

- ALL EDGES TO HAVE 3/4" CHAMFER
- F_c = 5,000 PSI
- WALL PANEL WILL NOT HANG LEVEL, ADJUST LIFTING CABLES AS REQUIRED
- ELEVATION LOOKING AT BACK FACE OF WINGWALL
- WINGWALLS TO BE CONSTRUCTED USING EPOXY COATED REINFORCEMENT



FOR APPROVAL

DATE		DESCRIPTION		ENG	STATE PROJECT # 445053-M3-005	PIN NO. 136243.00	BRIDGE ID # 445R0530017	PROVIDED BY: ICASST	DESIGNED BY: PRETEK GROUP	PROJECT NUMBER: 25-429
7					SR 53 CULVERT REPLACEMENT			 981 W 7TH STREET BEAVER DAM, KY 42320 270.363.2238	 P.O. BOX 351 BELLBROOK, OH 45305 800.241.0925	DATE: 12/17/2025
6				DESIGNED BY: KDK						
5				DRAWN BY: SP						
4				CHECKED BY: TEN						
3										
2										
1	1/14/26	NO CHANGES THIS SHEET	JJC	LOCALE: JACKSON COUNTY						STATE: TN

P19