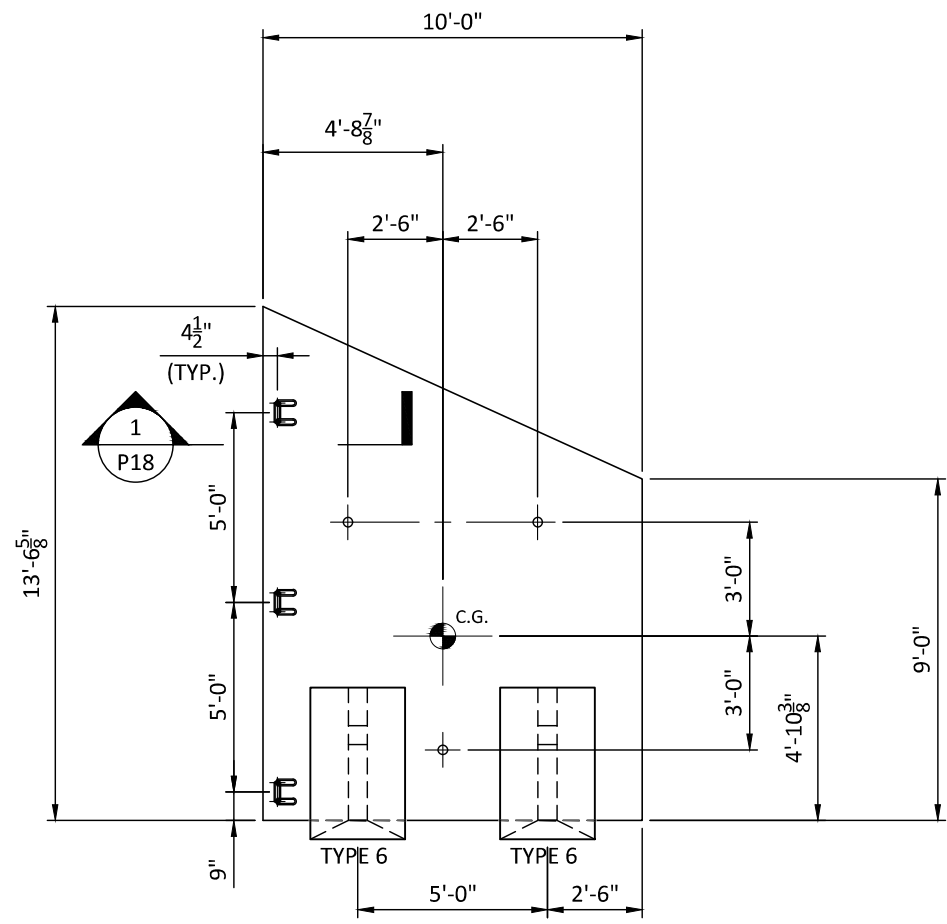
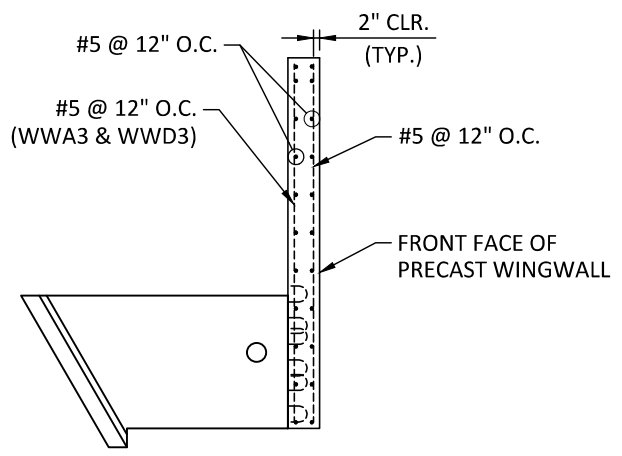
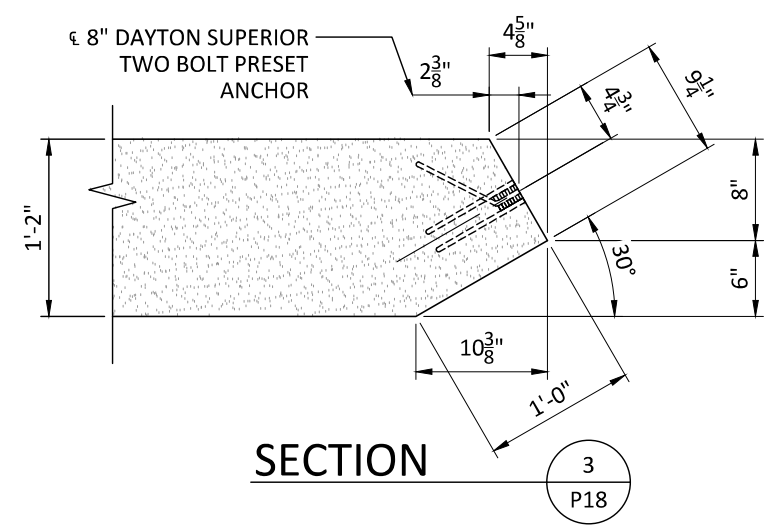
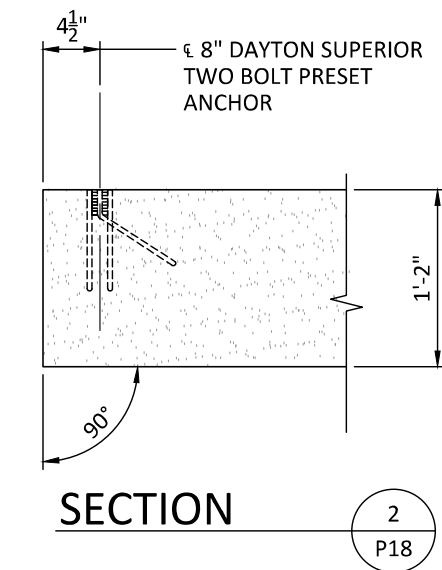
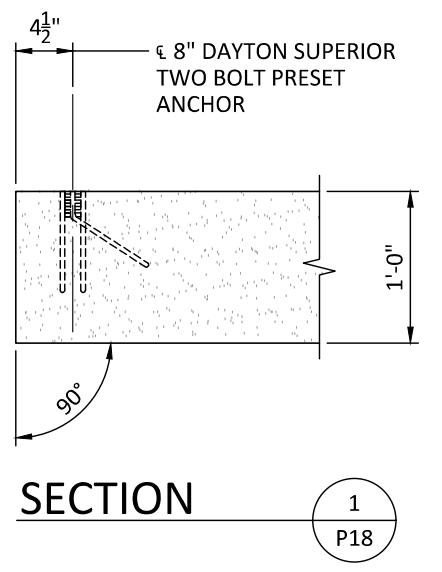


25-3437 - TDOT Jackson CO CNZ250  
 SR 53 CULVERT REPLACEMENT  
 WWA3 - 1 TOTAL REQUIRED



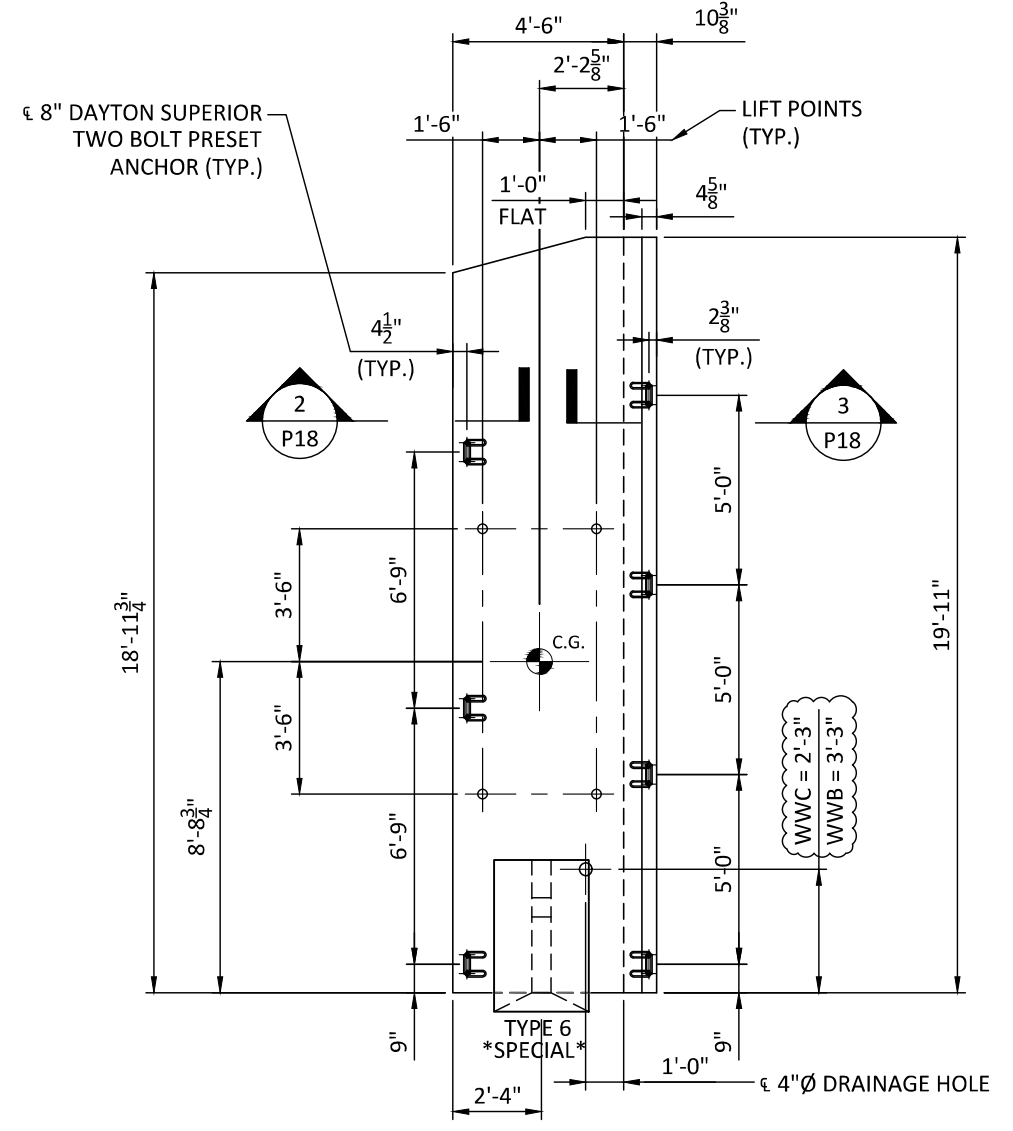
**ELEVATION - WINGWALL WWA3 & WWD3**

TOTAL WEIGHT = 10.8 TONS  
 PROVIDE (1) 14' LONG x 2' WIDE STRIP OF FILTER FABRIC



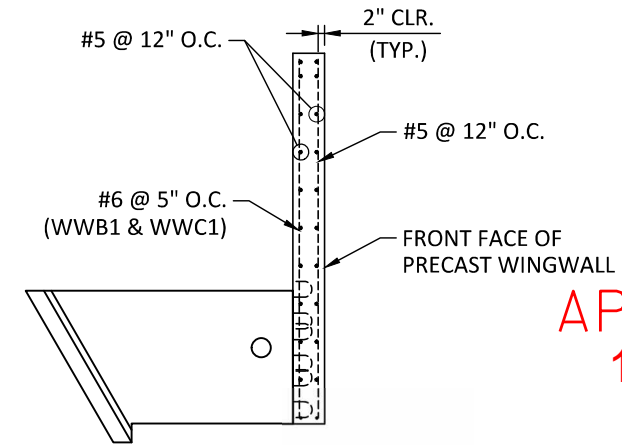
**REINFORCING SECTION**

NOT TO SCALE



**ELEVATION - WINGWALL WWB1 & WWC1**

TOTAL WEIGHT = 8.9 TONS  
 PROVIDE 4"Ø x 33' PERFORATED DRAIN  
 W/ELBOW, END CAP AND FILTER FABRIC SOCK  
 PROVIDE (1) 20' LONG x 2' WIDE STRIP OF FILTER FABRIC



**REINFORCING SECTION**

NOT TO SCALE

- DESIGN NOTES**
- ALL EDGES TO HAVE 3/4" CHAMFER
  - F'c = 5,000 PSI
  - WALL PANEL WILL NOT HANG LEVEL, ADJUST LIFTING CABLES AS REQUIRED
  - ELEVATION LOOKING AT BACK FACE OF WINGWALL
  - WINGWALLS TO BE CONSTRUCTED USING EPOXY COATED REINFORCEMENT

APPROVED  
 1/15/2026

Ted A. King  
 ENGR. DIRECTOR, STRUCTURES



01/14/2026

FOR APPROVAL

DATE	DESCRIPTION	ENG	STATE PROJECT # 445053-M3-005	PIN NO. 136243.00	BRIDGE ID # 44SR0530017	PROVIDED BY:	DESIGNED BY:	PROJECT NUMBER: 25-429
7						 981 W 7TH STREET BEAVER DAM, KY 42320 270.363.2238	 P.O. BOX 351 BELLBROOK, OH 45305 800.241.0925	DATE: 12/17/2025
6					DESIGNED BY: KDK			
5					DRAWN BY: SP			
4					CHECKED BY: TEN			
3								
2								
1	1/14/26 REVISIONS PER COMMENTS	JJC	LOCALE: JACKSON COUNTY		STATE: TN			

SR 53 CULVERT REPLACEMENT

P18