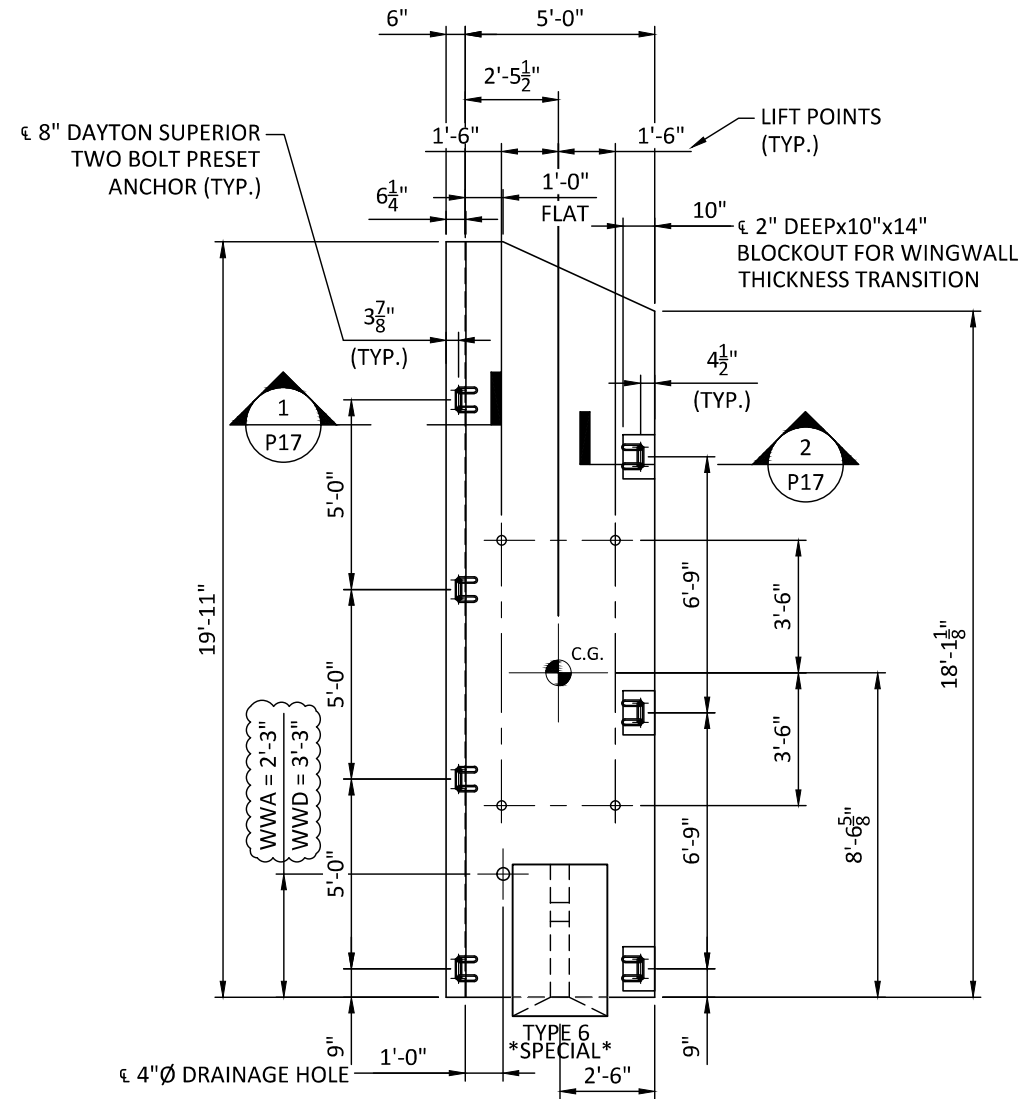


25-3437 - TDOT Jackson CO CNZ250
 SR 53 CULVERT REPLACEMENT
 WWA2 - 1 TOTAL REQUIRED

APPROVED
 1/15/2026

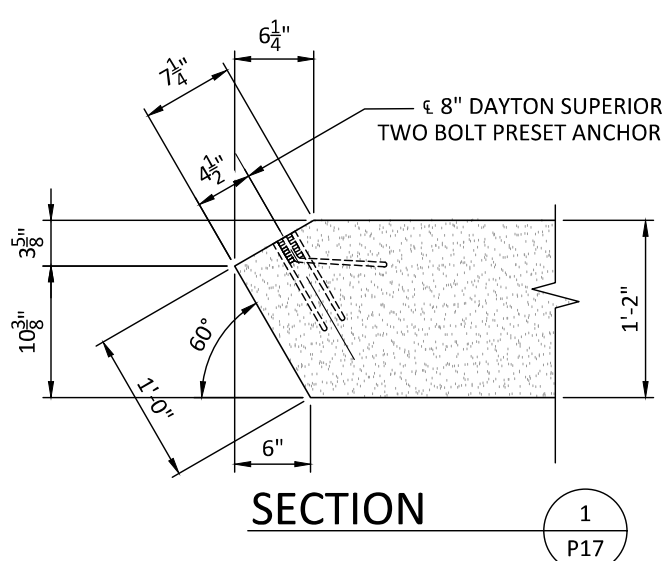
Ted A. Krueger
 ENGR. DIRECTOR, STRUCTURES



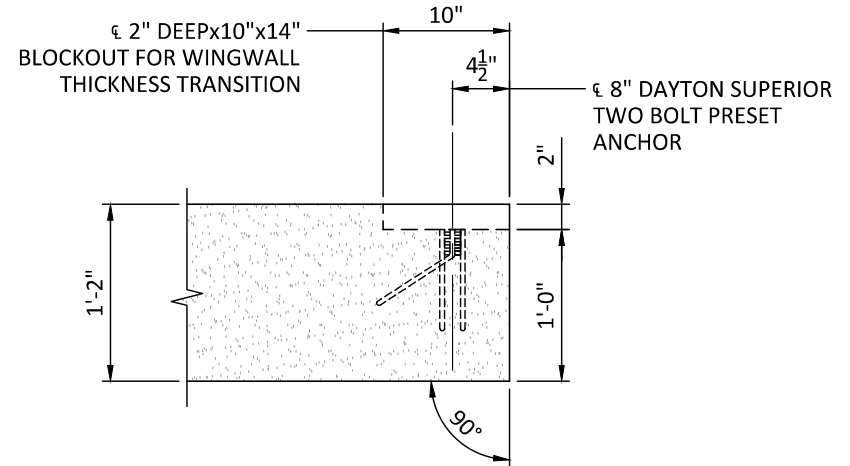
ELEVATION - WINGWALL WWA1 & WWD1

TOTAL WEIGHT = 9.7 TONS

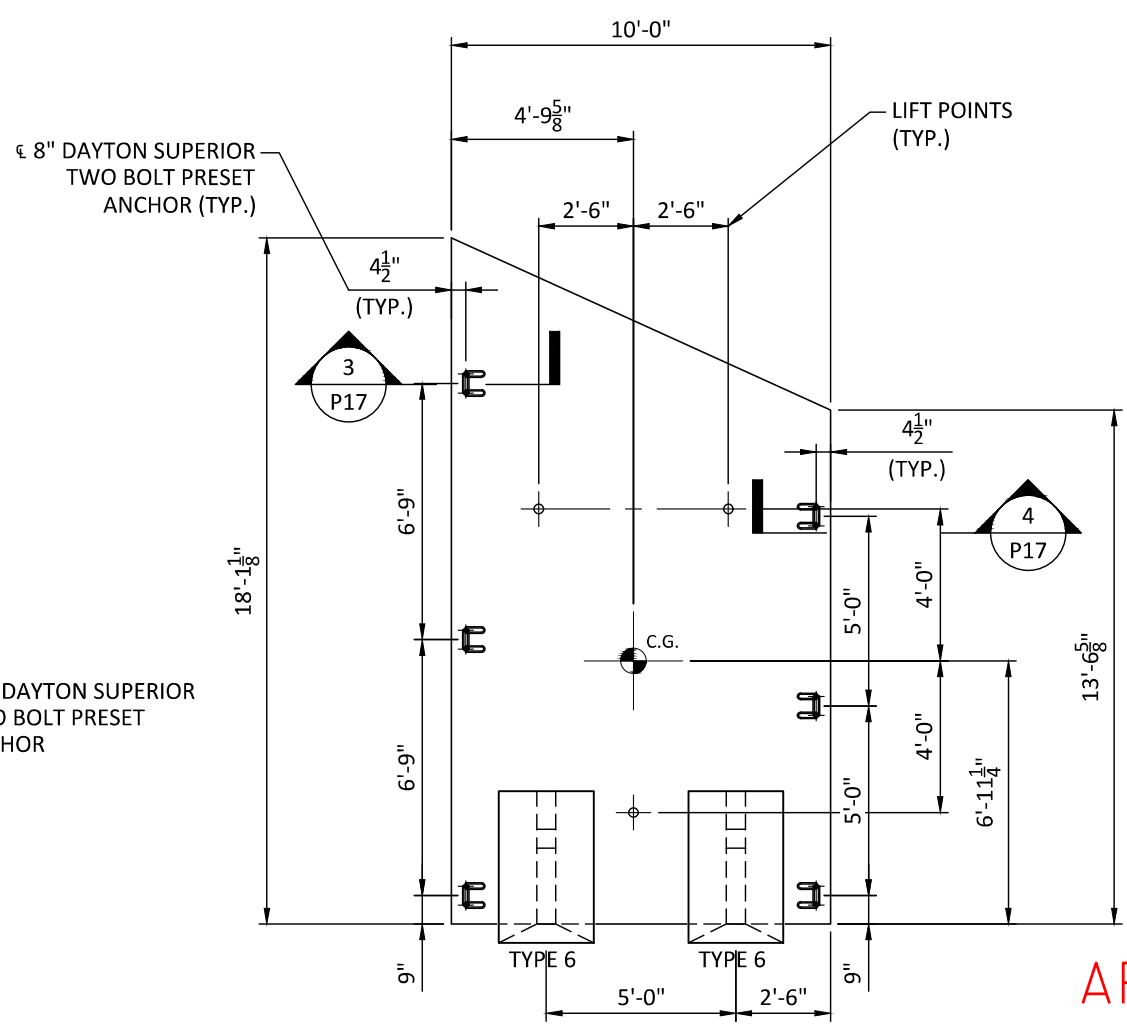
PROVIDE 4"Ø x 25' PERFORATED DRAIN
 W/ELBOW, END CAP AND FILTER FABRIC SOCK
 PROVIDE (1) 20' LONG x 2' WIDE STRIP OF FILTER FABRIC



SECTION 1
P17



SECTION 2
P17



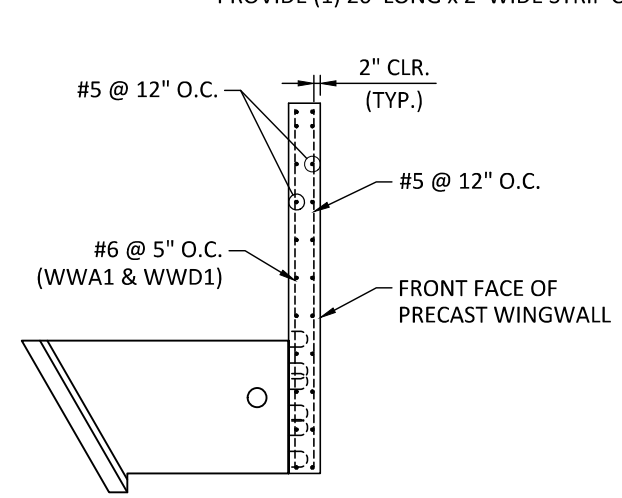
ELEVATION - WINGWALL WWA2 & WWD2

TOTAL WEIGHT = 14.2 TONS

PROVIDE (1) 19' LONG x 2' WIDE STRIP OF FILTER FABRIC

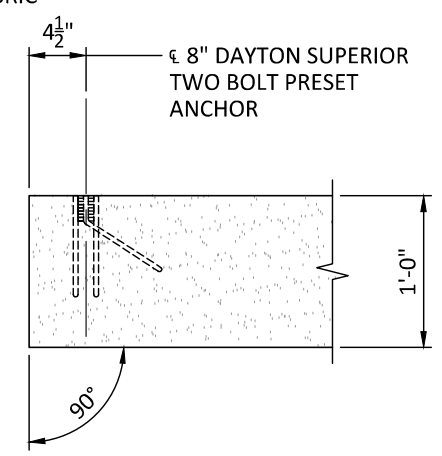
DESIGN NOTES

1. ALL EDGES TO HAVE 3/4" CHAMFER
2. F'c = 5,000 PSI
3. WALL PANEL WILL NOT HANG LEVEL, ADJUST LIFTING CABLES AS REQUIRED
4. ELEVATION LOOKING AT BACK FACE OF WINGWALL
5. WINGWALLS TO BE CONSTRUCTED USING EPOXY COATED REINFORCEMENT

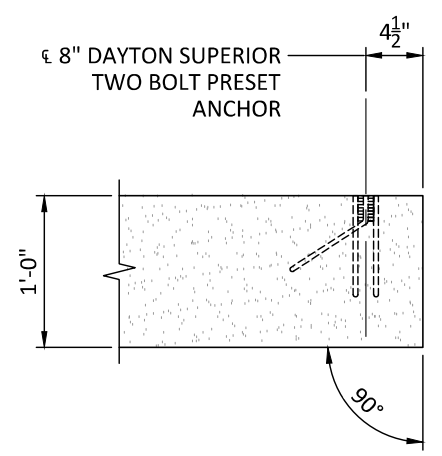


REINFORCING SECTION

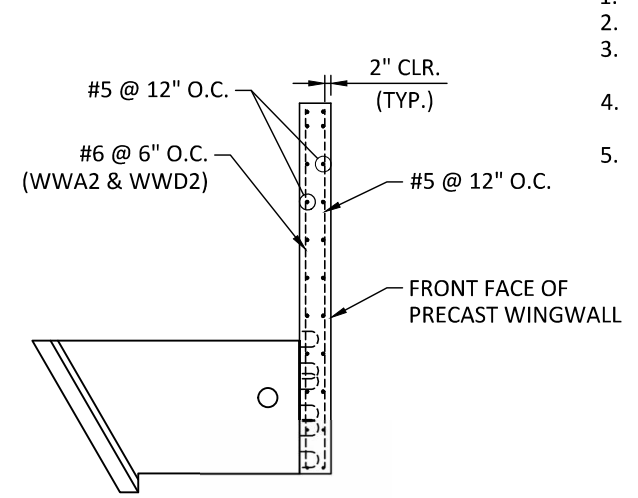
NOT TO SCALE



SECTION 3
P17

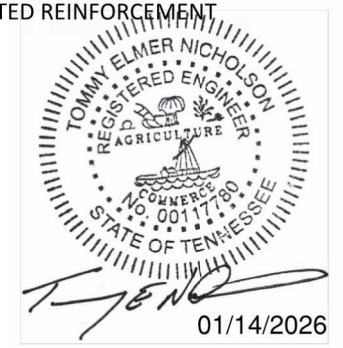


SECTION 4
P17



REINFORCING SECTION

NOT TO SCALE



FOR APPROVAL

DATE	DESCRIPTION	ENG
7		
6		
5		
4		
3		
2		
1	1/14/26 REVISIONS PER COMMENTS	JJC

STATE PROJECT # 445053-M3-005	PIN NO. 136243.00	BRIDGE ID # 445R0530017
SR 53 CULVERT REPLACEMENT		
LOCALE: JACKSON COUNTY	STATE: TN	

PROVIDED BY:

981 W 7TH STREET
BEAVER DAM, KY 42320
270.363.2238

DESIGNED BY:

P.O. BOX 351
BELLBROOK, OH 45305
800.241.0925

PROJECT NUMBER: 25-429
DATE: 12/17/2025
DESIGNED BY: KDK
DRAWN BY: SP
CHECKED BY: TEN

P17