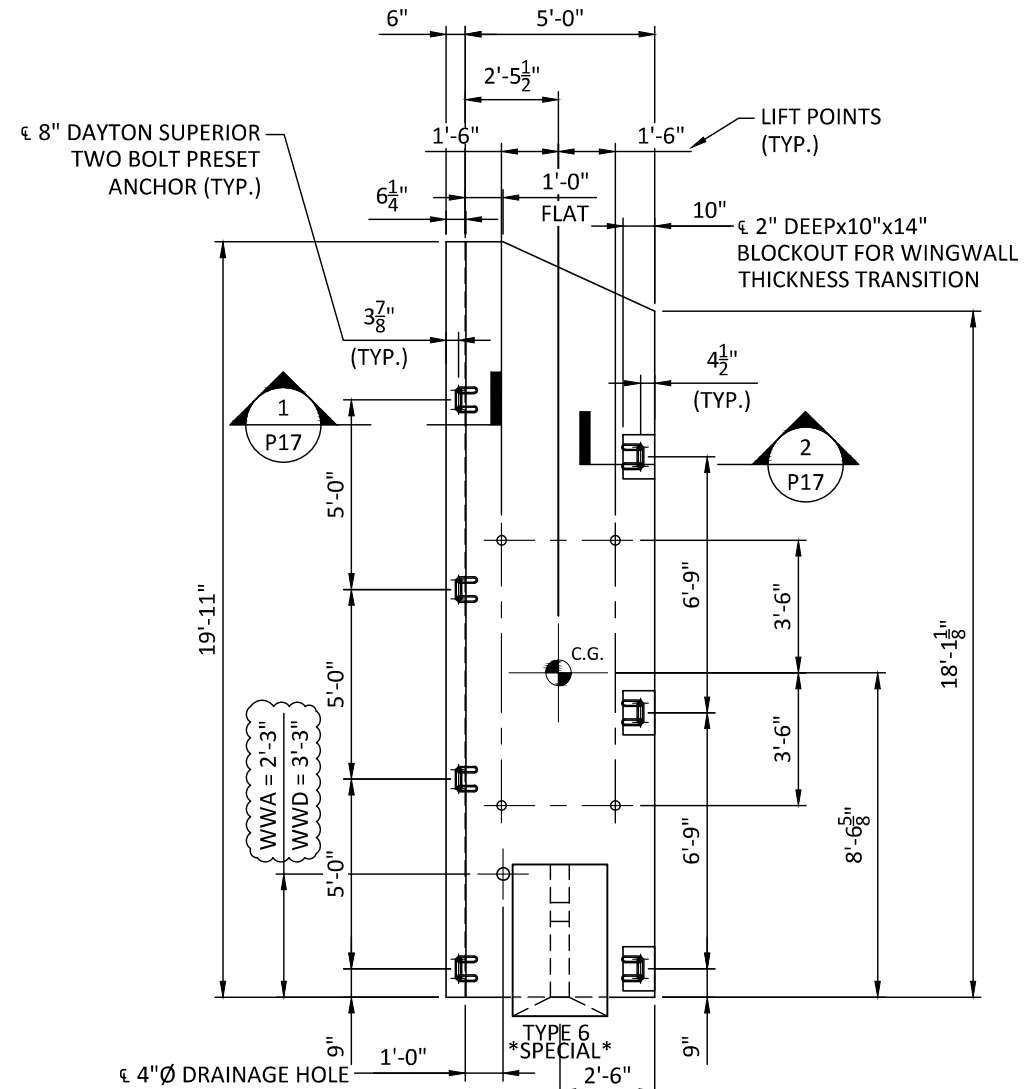


25-3437 - TDOT Jackson CO CNZ250  
 SR 53 CULVERT REPLACEMENT  
 WWA1 - 1 TOTAL REQUIRED

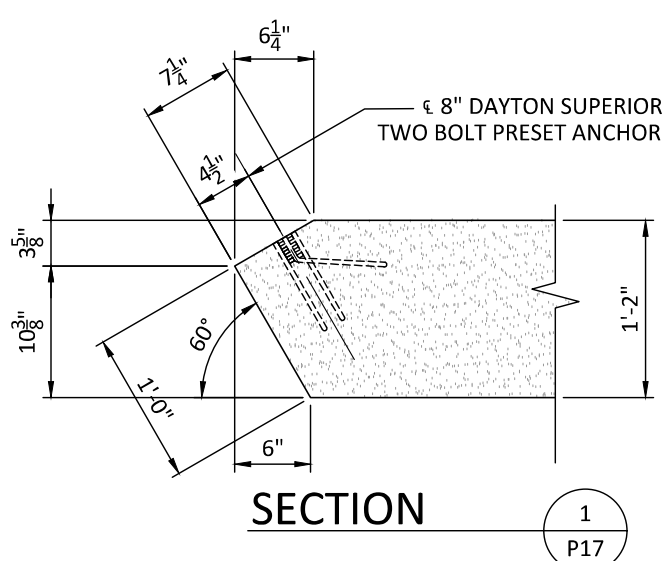
APPROVED  
 1/15/2026

Ted A. Krueger  
 ENGR. DIRECTOR, STRUCTURES

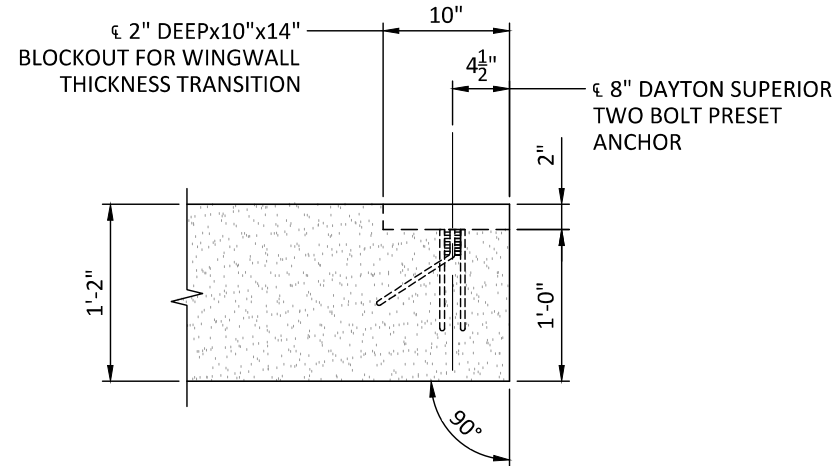


**ELEVATION - WINGWALL WWA1 & WWD1**

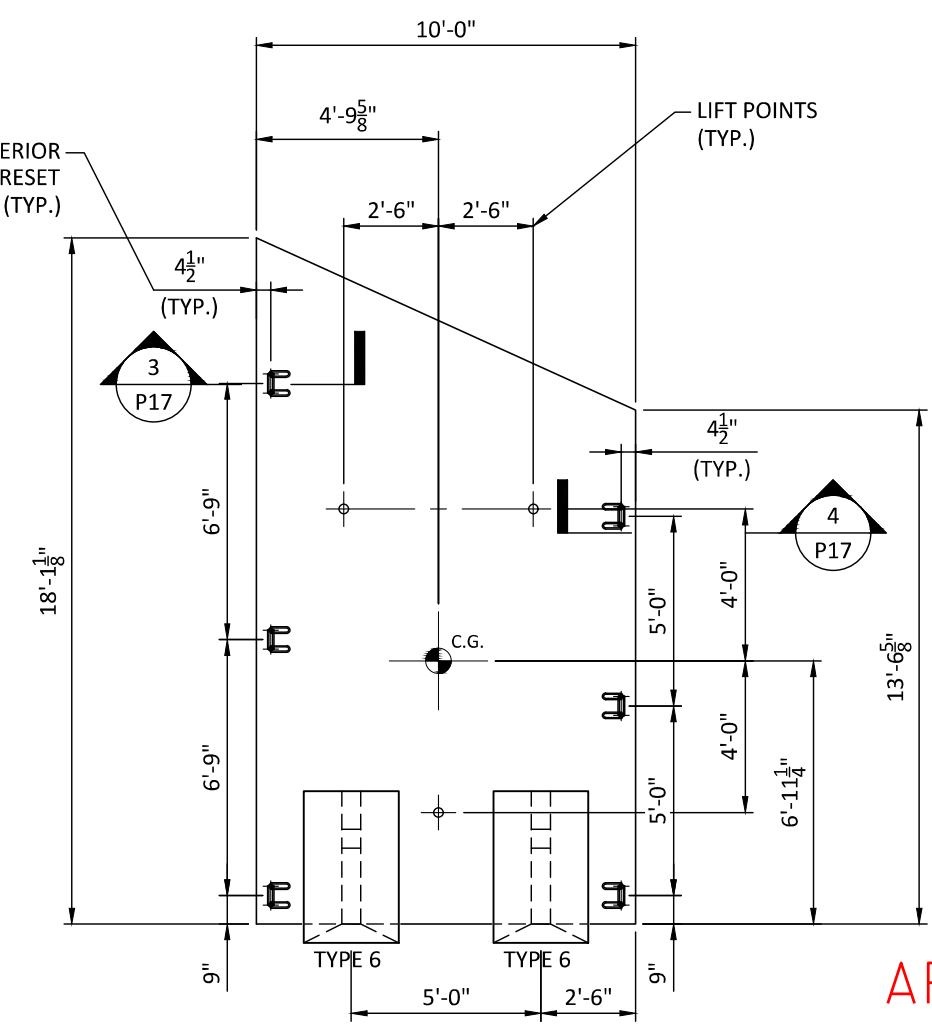
**TOTAL WEIGHT = 9.7 TONS**  
 PROVIDE 4"Ø x 25' PERFORATED DRAIN  
 W/ELBOW, END CAP AND FILTER FABRIC SOCK  
 PROVIDE (1) 20' LONG x 2' WIDE STRIP OF FILTER FABRIC



**SECTION 1 P17**



**SECTION 2 P17**



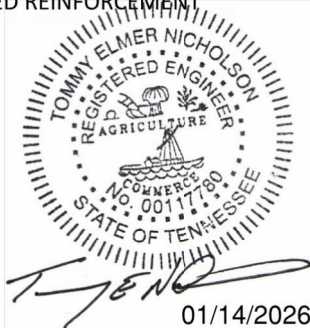
**ELEVATION - WINGWALL WWA2 & WWD2**

**TOTAL WEIGHT = 14.2 TONS**

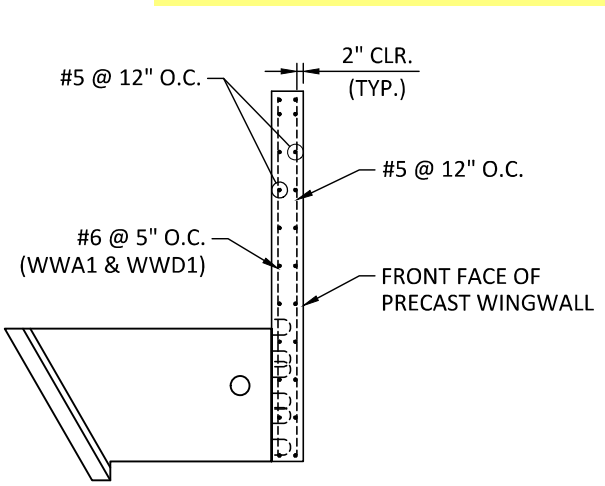
PROVIDE (1) 19' LONG x 2' WIDE STRIP OF FILTER FABRIC

**DESIGN NOTES**

1. ALL EDGES TO HAVE 3/4" CHAMFER
2. F'c = 5,000 PSI
3. WALL PANEL WILL NOT HANG LEVEL, ADJUST LIFTING CABLES AS REQUIRED
4. ELEVATION LOOKING AT BACK FACE OF WINGWALL
5. WINGWALLS TO BE CONSTRUCTED USING EPOXY COATED REINFORCEMENT

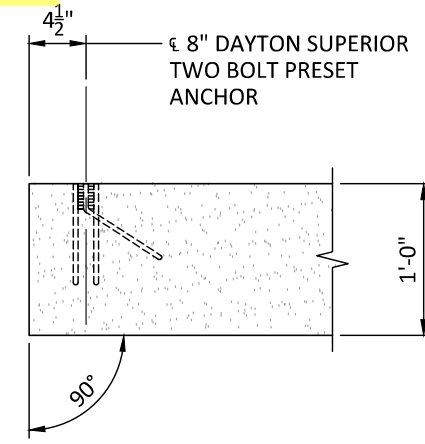


**FOR APPROVAL**

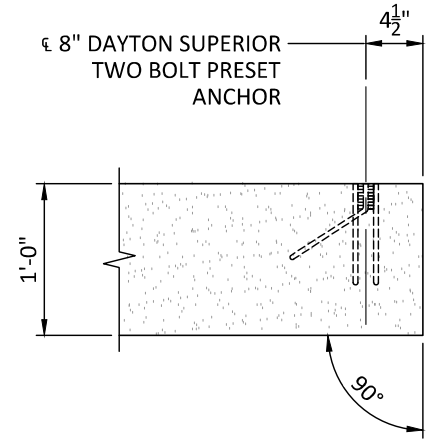


**REINFORCING SECTION**

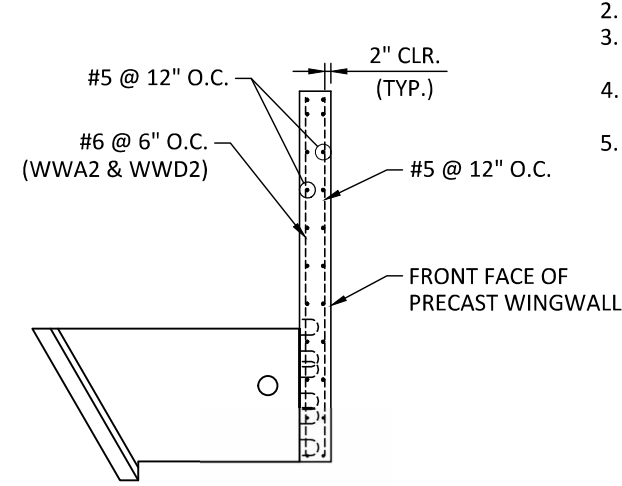
NOT TO SCALE



**SECTION 3 P17**



**SECTION 4 P17**



**REINFORCING SECTION**

NOT TO SCALE

DATE	DESCRIPTION	ENG
7		
6		
5		
4		
3		
2		
1	1/14/26 REVISIONS PER COMMENTS	JJC

STATE PROJECT # 445053-M3-005	PIN NO. 136243.00	BRIDGE ID # 445R0530017
<b>SR 53 CULVERT REPLACEMENT</b>		
LOCALE: JACKSON COUNTY	STATE: TN	

PROVIDED BY:  
  
 981 W 7TH STREET  
 BEAVER DAM, KY 42320  
 270.363.2238

DESIGNED BY:  
  
 P.O. BOX 351  
 BELLBROOK, OH 45305  
 800.241.0925

PROJECT NUMBER: 25-429
DATE: 12/17/2025
DESIGNED BY: KDK
DRAWN BY: SP
CHECKED BY: TEN

P17