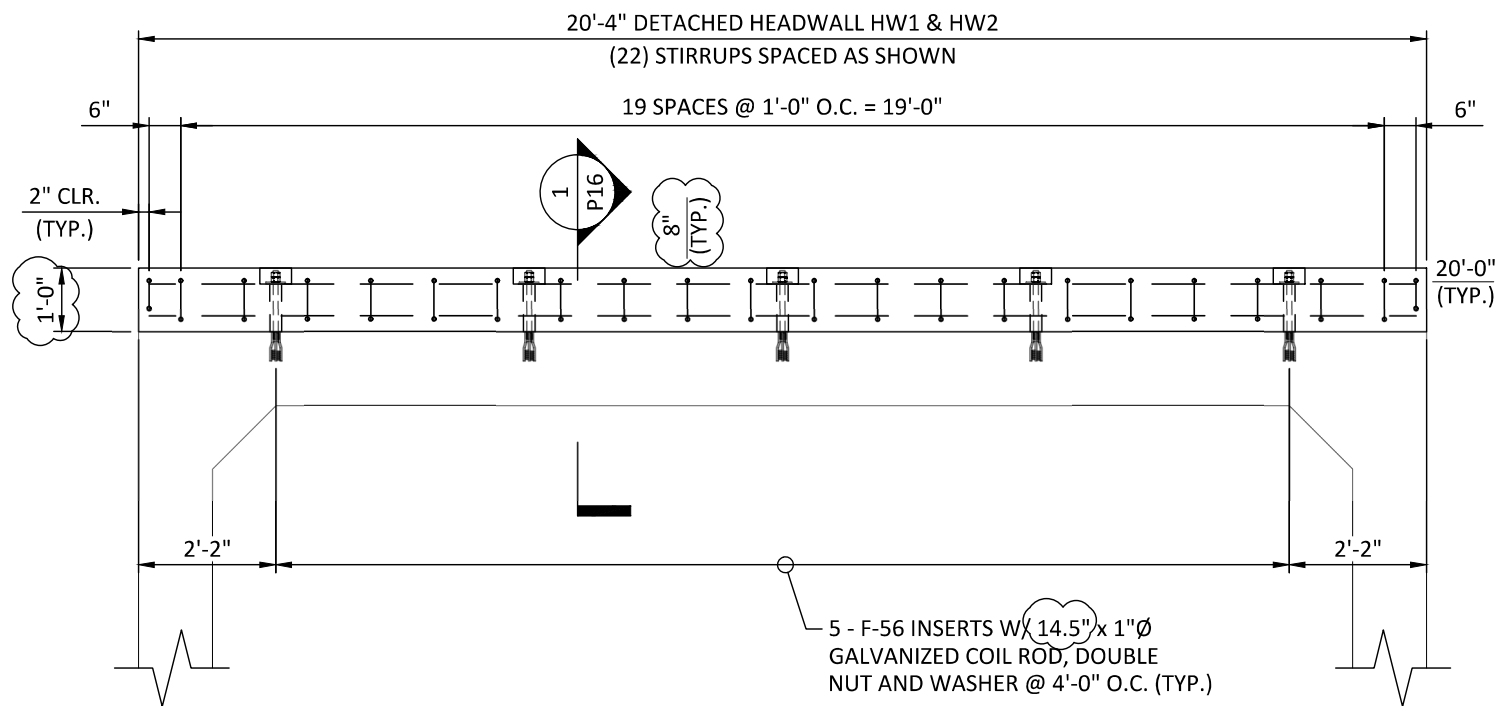
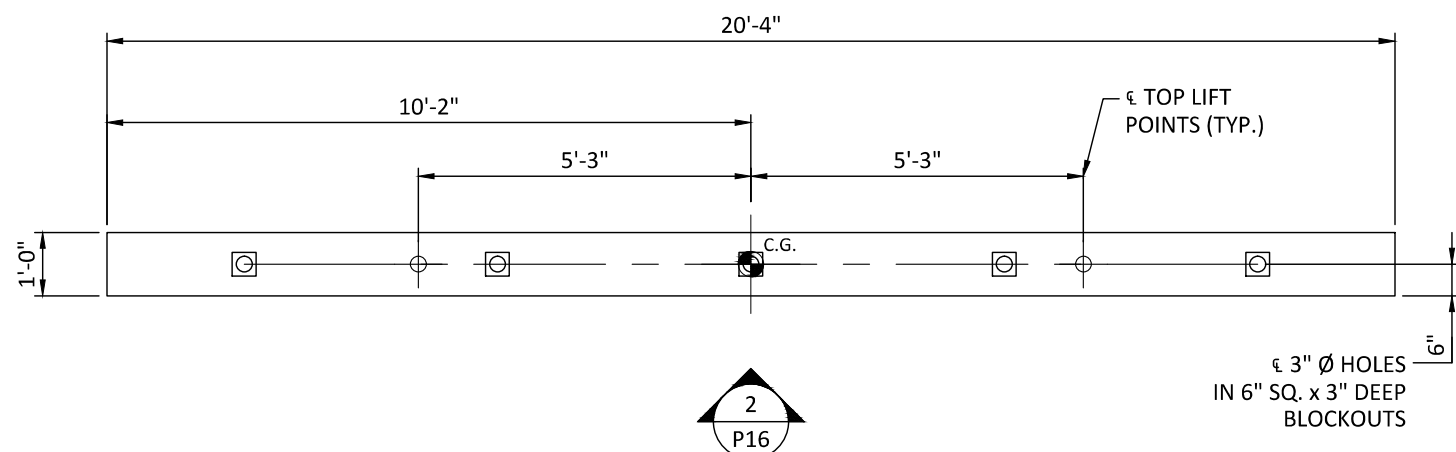


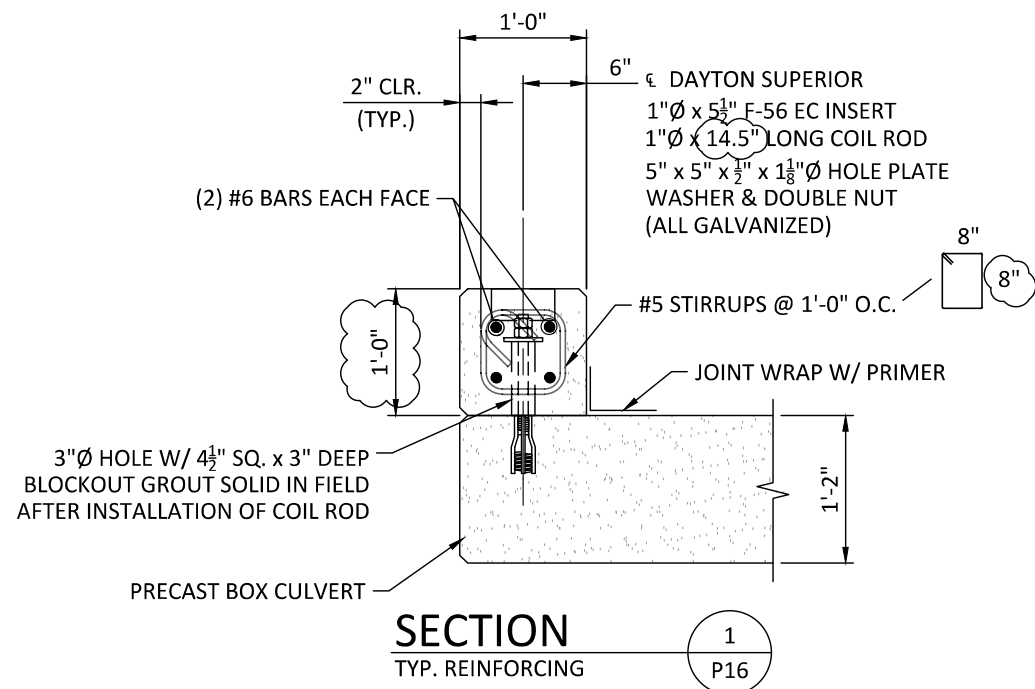
**25-3437 - TDOT Jackson CO CNZ250
SR 53 CULVERT REPLACEMENT
HW2 - 2 TOTAL REQUIRED**



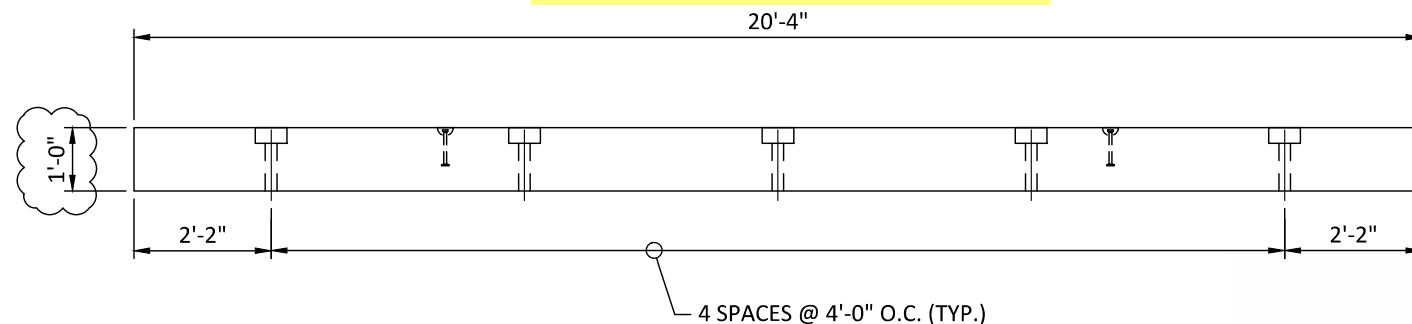
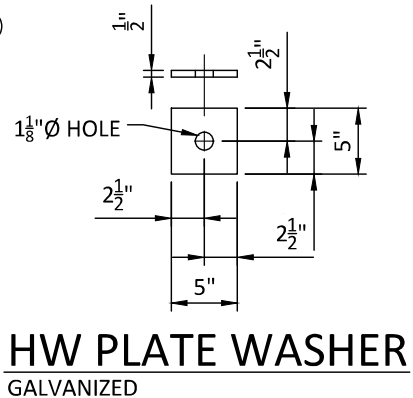
HW REINFORCING ELEVATION
NOT TO SCALE



PLAN - HW2
TOTAL WEIGHT € 1.6 TONS
(2) HW2 PIECES REQUIRED



SECTION
TYP. REINFORCING
1
P16

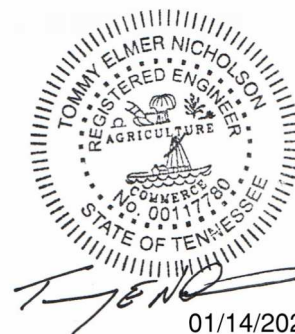


DESIGN NOTES

1. ALL EDGES TO HAVE 3/4" CHAMFER
2. F'c CULVERT = 5,000 PSI
F'c HEADWALL = 5,000 PSI
3. ELEVATION LOOKING AT BACK FACE OF HEADWALL
4. SEE SHEET P4 FOR CULVERT STEEL REINFORCING
5. HEADWALLS TO BE CONSTRUCTED USING EPOXY COATED REINFORCEMENT

APPROVED
1/15/2026

Deed A. King
ENGR. DIRECTOR, STRUCTURES



FOR APPROVAL

DATE	DESCRIPTION	ENG	STATE PROJECT # 445053-M3-005	PIN NO. 136243.00	BRIDGE ID # 44SR0530017
7					
6					
5					
4					
3					
2					
1	1/14/26 REVISIONS PER COMMENTS	JJC	LOCALE: JACKSON COUNTY		STATE: TN

SR 53 CULVERT REPLACEMENT

PROVIDED BY:
ICAST
981 W 7TH STREET
BEAVER DAM, KY 42320
270.363.2238

DESIGNED BY:
PRETEK GROUP
P.O. BOX 351
BELLBROOK, OH 45305
800.241.0925

PROJECT NUMBER: 25-429
DATE: 12/17/2025
DESIGNED BY: KDK
DRAWN BY: SP
CHECKED BY: TEN

P16