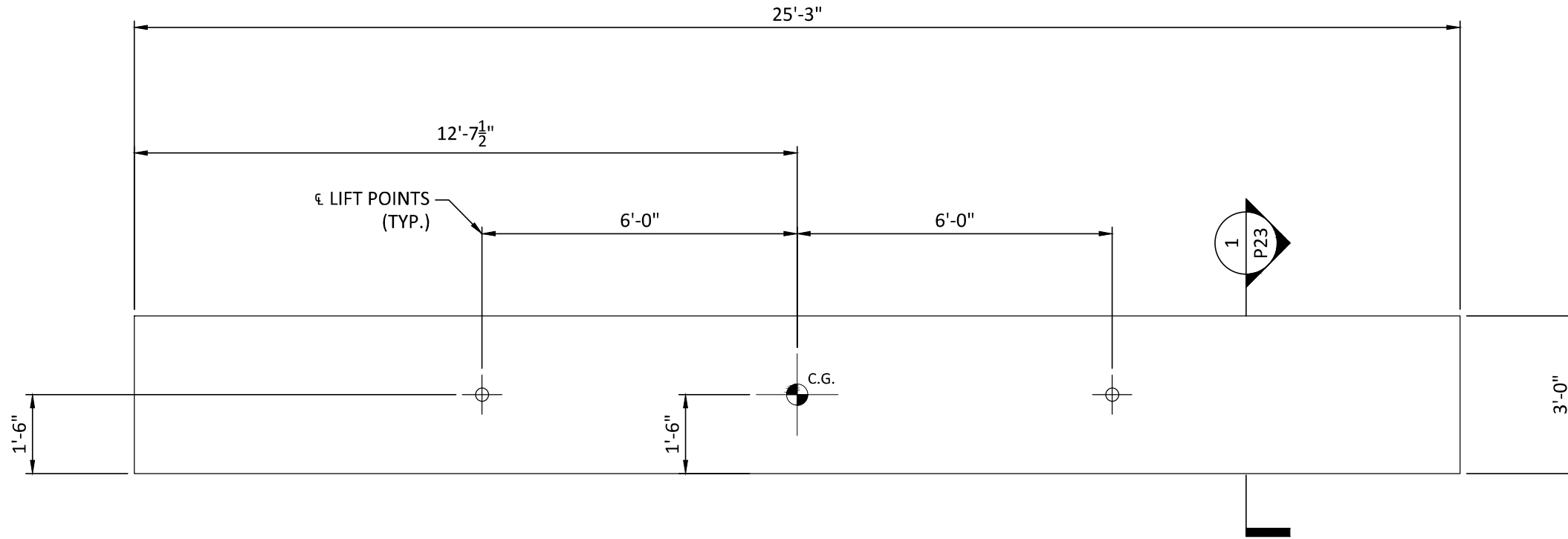


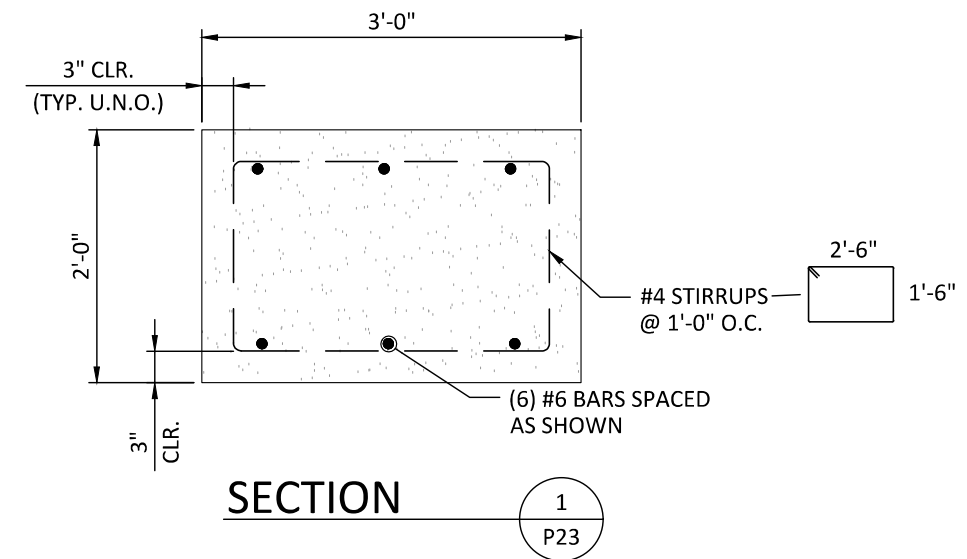
25-3437 - TDOT Jackson CO CNZ250
 SR 53 CULVERT REPLACEMENT
 F1 - 2 TOTAL REQUIRED

DESIGN NOTES

1. ALL EDGES TO HAVE $\frac{3}{4}$ " CHAMFER
2. $F'_c = 5,000$ PSI
3. REINFORCING STEEL SHALL CONFORM TO ASTM A615 OR A996 GRADE 60



PLAN - PRECAST WINGWALL FOOTING F1
 TOTAL WEIGHT = 11.4 TONS
 (2) F1 UNITS REQUIRED



APPROVED
1/15/2026
Red A. Krueger
 ENGR. DIRECTOR, STRUCTURES

FOR APPROVAL

P23

DATE	DESCRIPTION	ENG	STATE PROJECT # 445053-M3-005	PIN NO. 136243.00	BRIDGE ID # 44SR0530017
7					
6					
5					
4					
3					
2					
1	1/14/26	JJC	NO CHANGES THIS SHEET	LOCALE: JACKSON COUNTY	STATE: TN

SR 53 CULVERT REPLACEMENT

PROVIDED BY:



981 W 7TH STREET
 BEAVER DAM, KY 42320
 270.363.2238

DESIGNED BY:



P.O. BOX 351
 BELLBROOK, OH 45305
 800.241.0925

PROJECT NUMBER: 25-429

DATE: 12/17/2025

DESIGNED BY: KDK

DRAWN BY: SP

CHECKED BY: TEN