

**Job Name: 25-3431B Plano Bridleton Farms Sanitary**  
**Job Location: Bowling Green, KY**  
**Contractor: J & J Concrete & Excavating, LLC**

PC: E. Bradley  
 TECH: C.Russ  
 Plant: Beaver Dam



Structure ID: **SSMH C1**

Spec: Sanitary  
 Type: SAN.MH  
 Size: 48"

Rim: 608.43'  
 Invert: 598.04'  
 Rim to Invert: 10.39'

Sump: 2"  
 Floor (Top): 597.873'  
 Floor Height: 6"

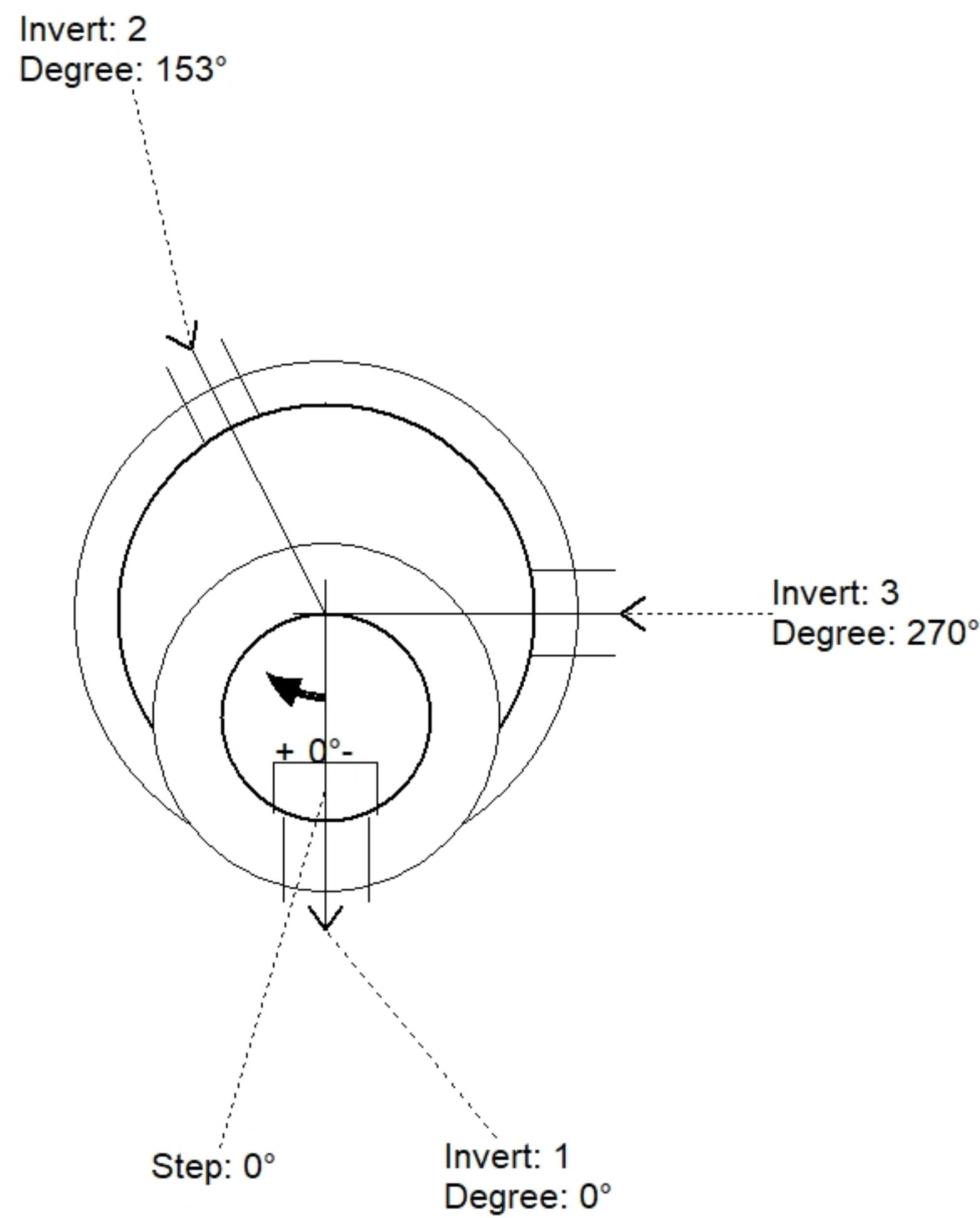
Floor (Bot): 597.373'  
 Overall Height: 10.917'  
 Slack: 1.68"

Structure Notes:

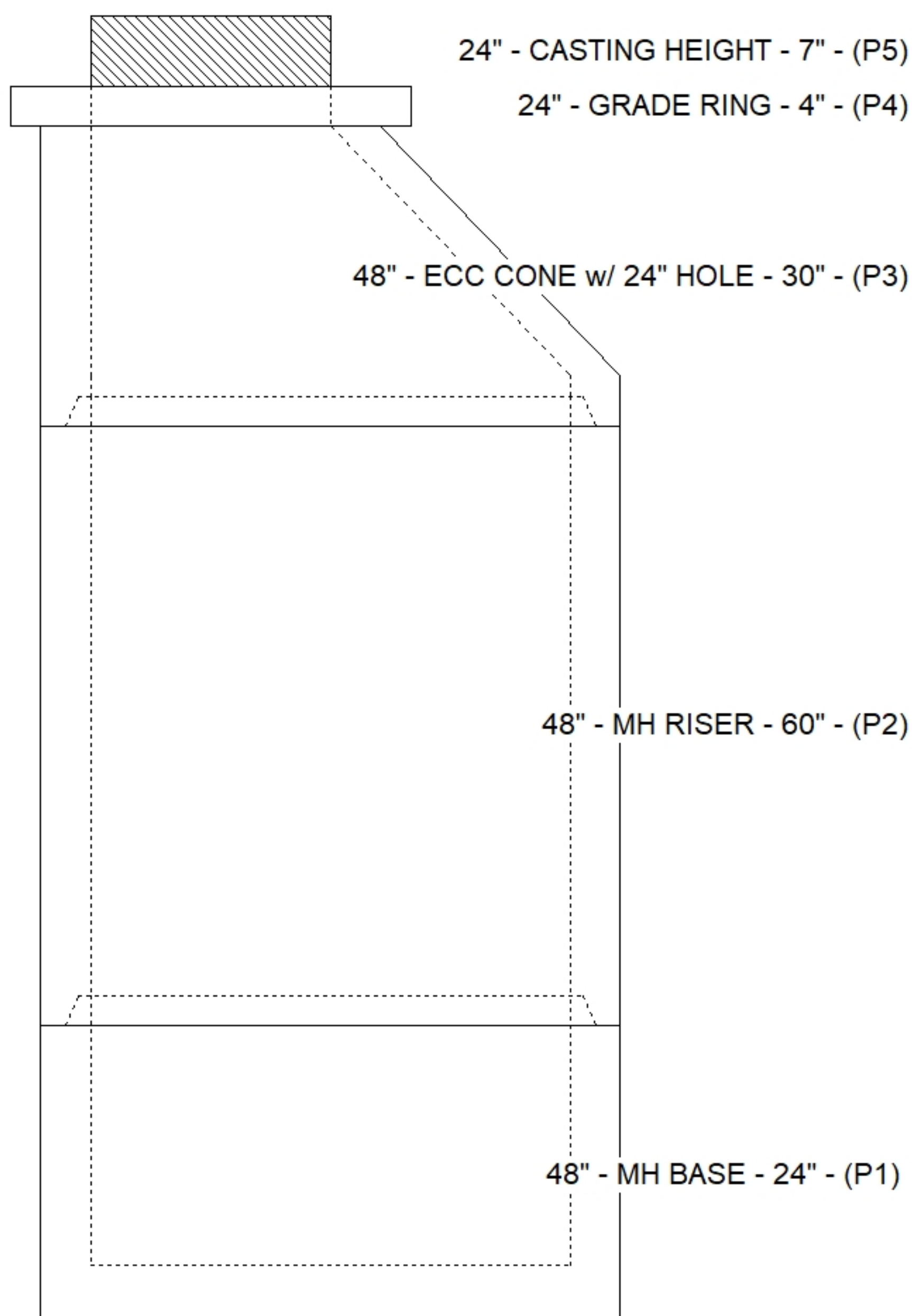
1. PER ASTM C478 SPECIFICATIONS.
2. CONCRETE = 4,000 PSI AT 28 DAYS.
3. HOE 375 F/C "SANITARY" BY ICAST
3. REINFORCING PER ASTM A615 (GRADE 60).
  - CONE (As .12)
  - RISER/WALLS (As .12)
  - FLOOR (As .31) #5 BARS AT 12" C.C.E.W.

STRUCTURE SUMMARY:

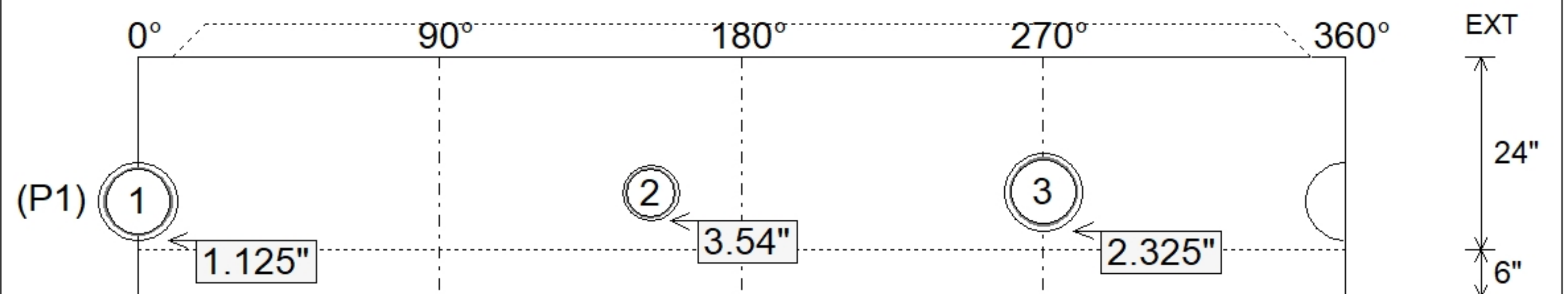
|  |                 |
|--|-----------------|
| P5) 24" - CASTING HEIGHT - 7"            | 0 lb            |
| P4) 24" - GRADE RING - 4"                | 270 lb          |
| P3) 48" - ECC CONE w/ 24" HOLE - 30"     | 2050 lb         |
| P2) 48" - MH RISER - 60"                 | 4192 lb         |
| P1) 48" - MH BASE - 24"                  | 2928 lb         |
| 1) 48" - MH INVERT CHANNEL - FULL HEIGHT | 1440 lb         |
| 1) JOINT WRAP - 12" WD x 048" MAC WRAP   | 0 lb            |
| 1) CASTING - HOE MC-375 F/C Sanitary     | 271 lb          |
| 2) 48" - DBL 1"x14.5' Butyl (2x)         | 0 lb            |
| 2) A-Lok - 0285                          | 2 lb            |
| 1) A-Lok - 0200                          | 1 lb            |
| 9) MH Step ML-10-TDS-NCR - 10"           | 0 lb            |
| <b>Structure Total:</b>                  | <b>11153 lb</b> |



| Position | Elev    | Angle | Pipe         | Pipe OD | Hole  | Connector  | Up (") | Ref |
|----------|---------|-------|--------------|---------|-------|------------|--------|-----|
| Rim      | 608.43' |       |              |         |       |            |        |     |
| Reducer  |         |       |              |         |       |            |        |     |
| Invert 1 | 598.04' | 0°    | 8" PVC SDR35 | 8.5"    | 9.75" | A-Lok 0285 | 1.125" | P1  |
| Invert 2 | 598.21' | 153°  | 6" PVC SDR35 | 6.25"   | 7"    | A-Lok 0200 | 3.54"  | P1  |
| Invert 3 | 598.14' | 270°  | 8" PVC SDR35 | 8.5"    | 9.75" | A-Lok 0285 | 2.325" | P1  |
| Invert 4 |         |       |              |         |       |            |        |     |
| Invert 5 |         |       |              |         |       |            |        |     |
| Invert 6 |         |       |              |         |       |            |        |     |
| Invert 7 |         |       |              |         |       |            |        |     |
| Invert 8 |         |       |              |         |       |            |        |     |



**Default - Interior Dimensions**



Submittal Drawing  
 10/30/2025 8:59:21 AM

SUBMITTAL  
 APPROVED BY: