

Job Name: 25-3431B Plano Bridleton Farms Sanitary
Job Location: Bowling Green, KY
Contractor: J & J Concrete & Excavating, LLC

PC: E. Bradley
 TECH: C.Russ
 Plant: Beaver Dam



Structure ID: **SSMH B2**
 Spec: Sanitary
 Type: SAN.MH
 Size: 48"

Rim: 601.7'
 Invert: 597.42'
 Rim to Invert: 4.28'

Sump: 2"
 Floor (Top): 597.253'
 Floor Height: 6"

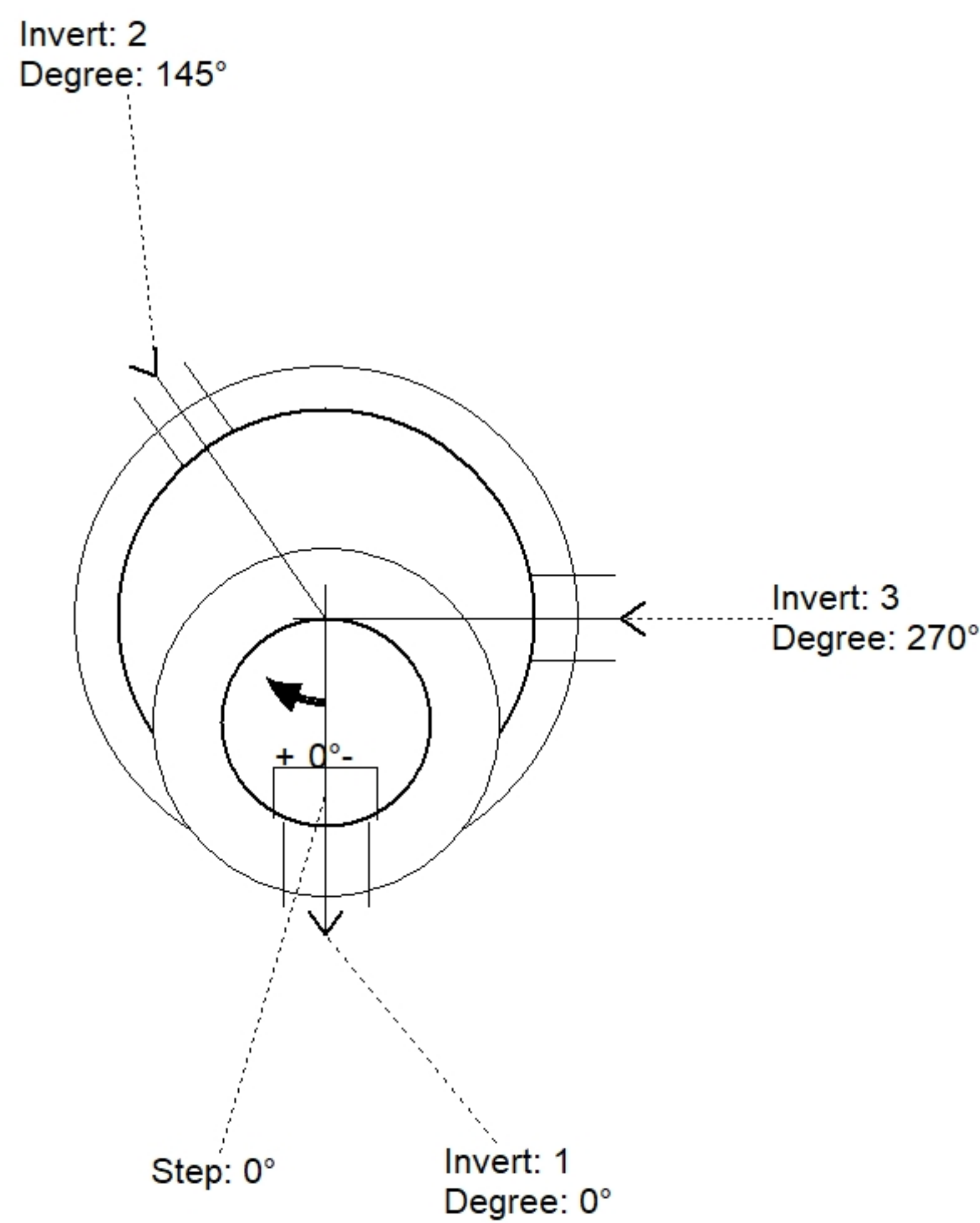
Floor (Bot): 596.753'
 Overall Height: 4.917'
 Slack: 0.36"

Structure Notes:

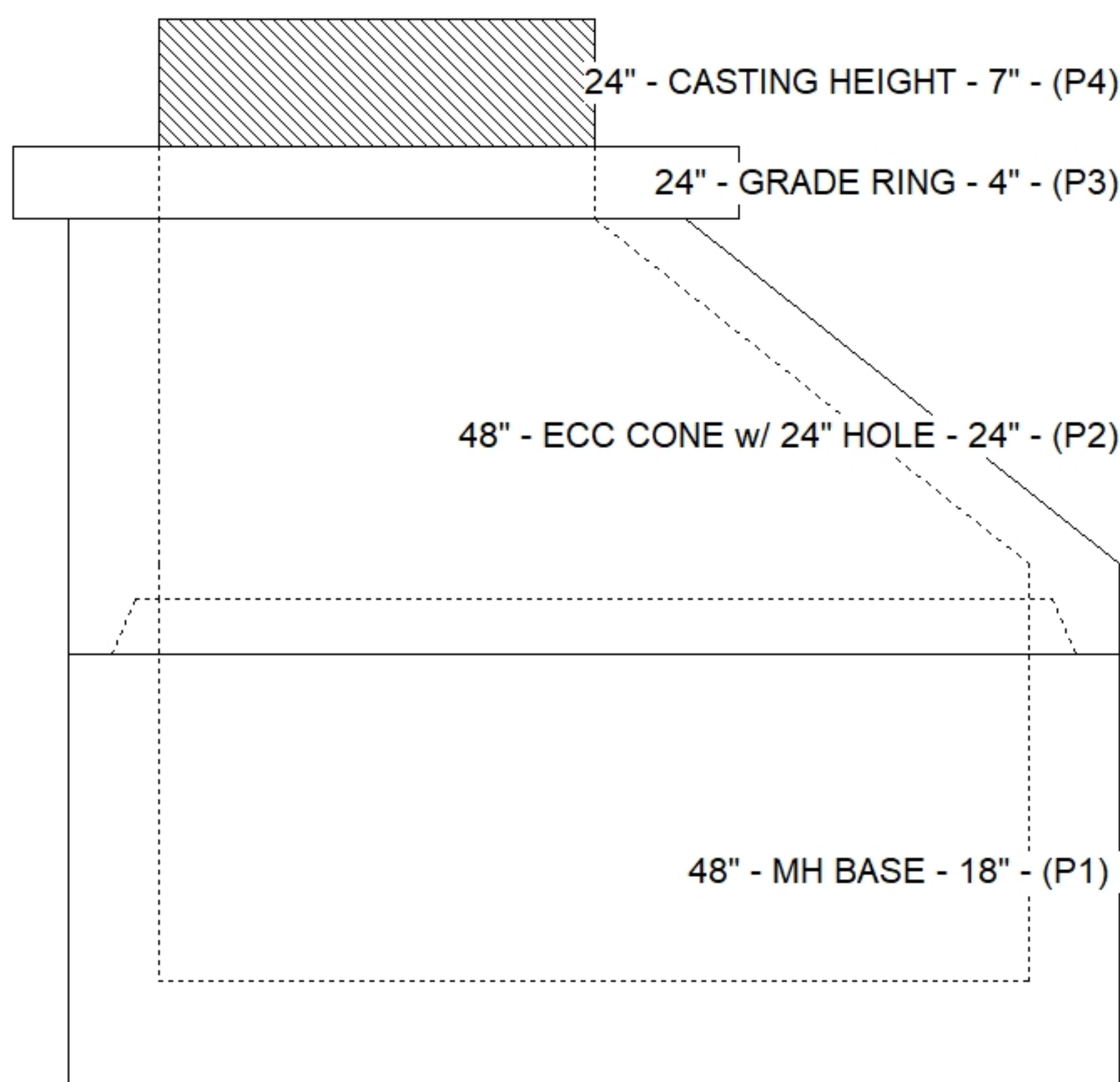
- PER ASTM C478 SPECIFICATIONS.
- CONCRETE = 4,000 PSI AT 28 DAYS.
- HOE 375 F/C "SANITARY" BY ICAST
- REINFORCING PER ASTM A615 (GRADE 60).
 - CONE (As .12)
 - RISER/WALLS (As .12)
 - FLOOR (As .31) #5 BARS AT 12" C.C.E.W.

STRUCTURE SUMMARY:

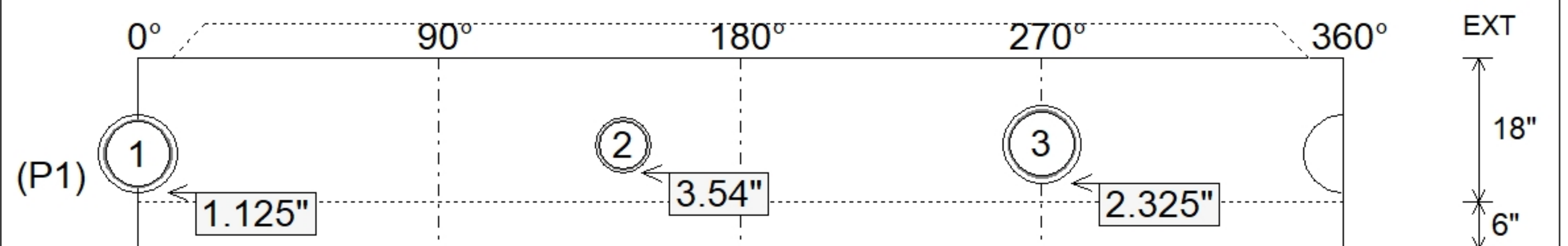
P4) 24" - CASTING HEIGHT - 7"	0 lb
P3) 24" - GRADE RING - 4"	270 lb
P2) 48" - ECC CONE w/ 24" HOLE - 24"	1550 lb
P1) 48" - MH BASE - 18"	2508 lb
1) 48" - MH INVERT CHANNEL - FULL HEIGHT	1440 lb
1) JOINT WRAP - 12" WD x 048" MAC WRAP	0 lb
1) CASTING - HOE MC-375 F/C Sanitary	271 lb
1) 48" - DBL 1"x14.5' Butyl (2x)	0 lb
2) A-Lok - 0285	2 lb
1) A-Lok - 0200	1 lb
3) MH Step ML-10-TDS-NCR - 10"	0 lb
Structure Total:	6042 lb



Position	Elev	Angle	Pipe	Pipe OD	Hole	Connector	Up (")	Ref
Rim	601.7'							
Reducer								
Invert 1	597.42'	0°	8" PVC SDR35	8.5"	9.75"	A-Lok 0285	1.125"	P1
Invert 2	597.59'	145°	6" PVC SDR35	6.25"	7"	A-Lok 0200	3.54"	P1
Invert 3	597.52'	270°	8" PVC SDR35	8.5"	9.75"	A-Lok 0285	2.325"	P1
Invert 4								
Invert 5								
Invert 6								
Invert 7								
Invert 8								



Default - Interior Dimensions



Submittal Drawing
 10/30/2025 8:59:21 AM

SUBMITTAL
 APPROVED BY: