

Job Name: 25-3431B Plano Bridleton Farms Sanitary
Job Location: Bowling Green, KY
Contractor: J & J Concrete & Excavating, LLC

PC: E. Bradley
 TECH: C.Russ
 Plant: Beaver Dam



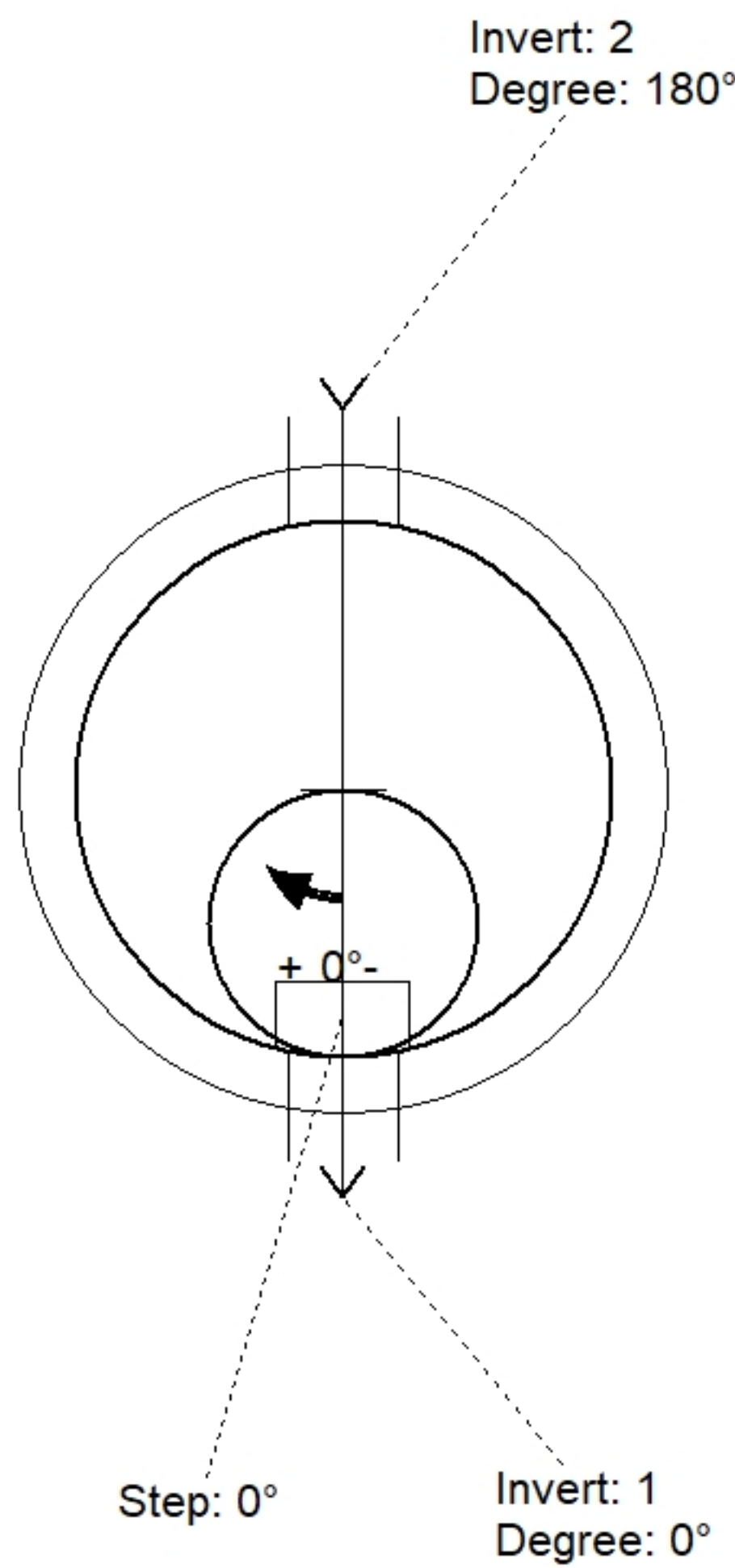
Structure ID: **SSMH B1**
 Spec: Sanitary Rim: 600.75' Sump: 2" Floor (Bot): 595.533'
 Type: SAN.MH Invert: 596.2' Floor (Top): 596.033' Overall Height: 5.083'
 Size: 48" Rim to Invert: 4.55' Floor Height: 6" Slack: 1.6"

Structure Notes:

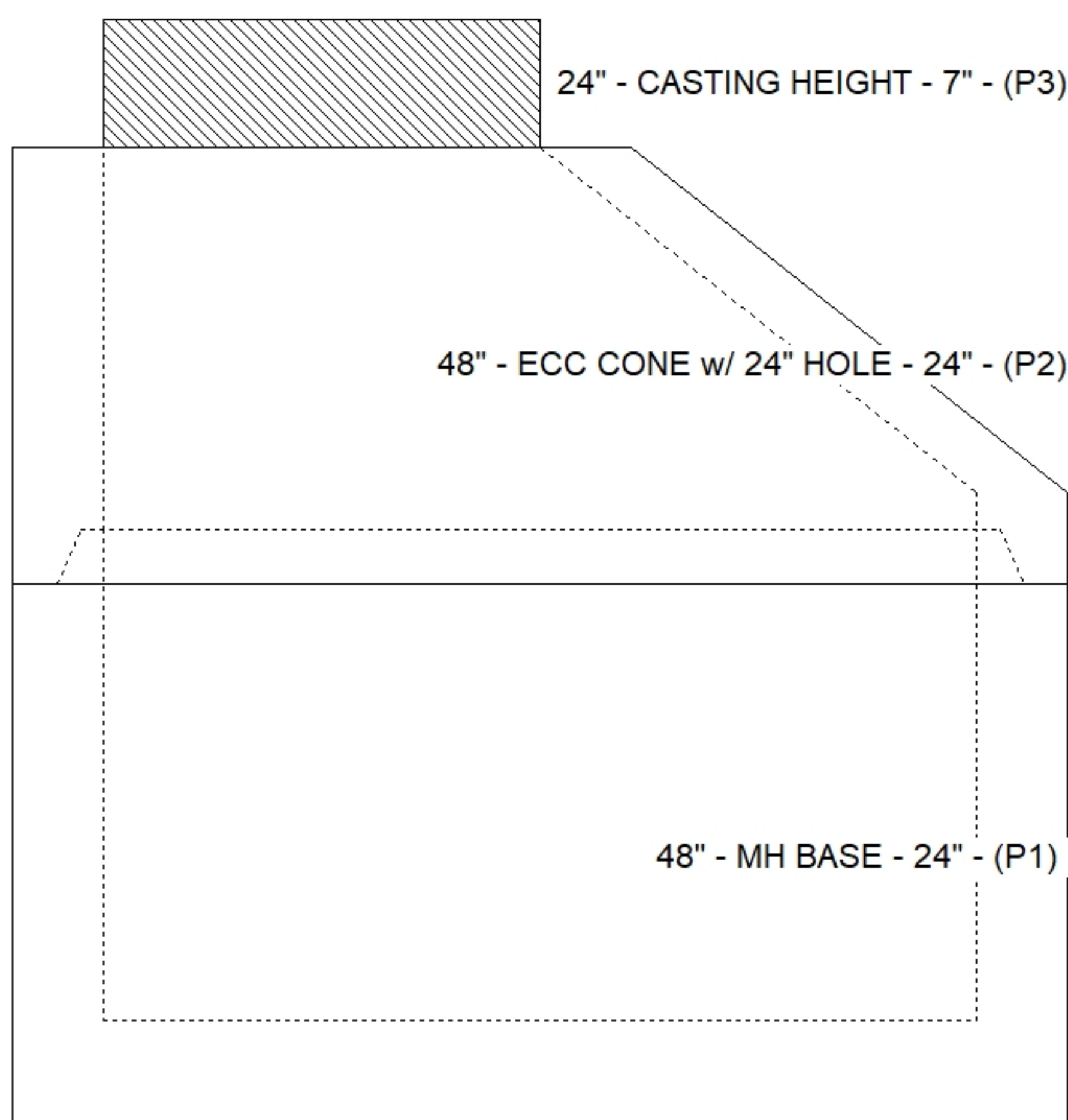
- PER ASTM C478 SPECIFICATIONS.
- CONCRETE = 4,000 PSI AT 28 DAYS.
- HOE 375 F/C "SANITARY" BY ICAST
- REINFORCING PER ASTM A615 (GRADE 60).
 - CONE (As .12)
 - RISER/WALLS (As .12)
 - FLOOR (As .31) #5 BARS AT 12" C.C.E.W.

STRUCTURE SUMMARY:

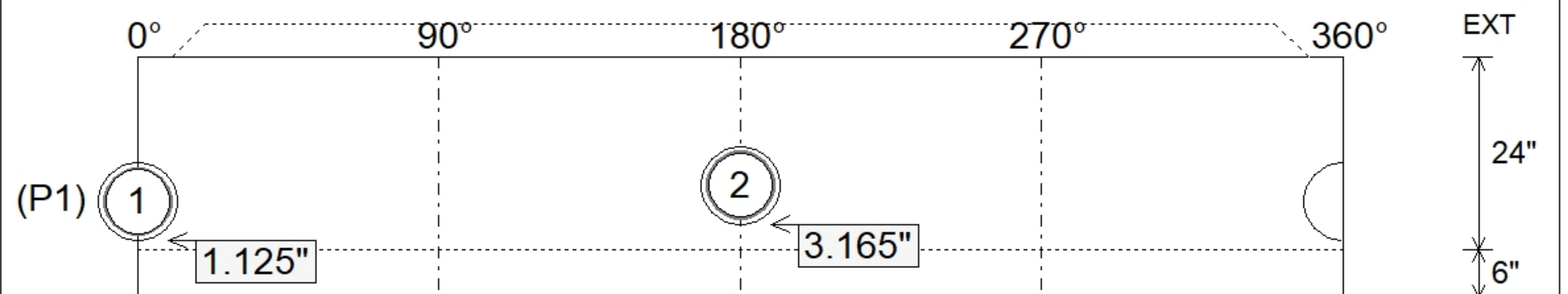
P3) 24" - CASTING HEIGHT - 7"	0 lb
P2) 48" - ECC CONE w/ 24" HOLE - 24"	1550 lb
P1) 48" - MH BASE - 24"	2944 lb
1) 48" - MH INVERT CHANNEL - FULL HEIGHT	1440 lb
1) JOINT WRAP - 12" WD x 048" MAC WRAP	0 lb
1) CASTING - HOE MC-375 F/C Sanitary	271 lb
1) 48" - DBL 1"x14.5' Butyl (2x)	0 lb
2) A-Lok - 0285	2 lb
3) MH Step ML-10-TDS-NCR - 10"	0 lb
Structure Total:	6207 lb



Position	Elev	Angle	Pipe	Pipe OD	Hole	Connector	Up (")	Ref
Rim	600.75'							
Reducer								
Invert 1	596.2'	0°	8" PVC SDR35	8.5"	9.75"	A-Lok 0285	1.125"	P1
Invert 2	596.37'	180°	8" PVC SDR35	8.5"	9.75"	A-Lok 0285	3.165"	P1
Invert 3								
Invert 4								
Invert 5								
Invert 6								
Invert 7								
Invert 8								



Default - Interior Dimensions



Submittal Drawing
 10/30/2025 8:59:20 AM

SUBMITTAL
 APPROVED BY: