

**Job Name: 25-3431B Plano Bridleton Farms Sanitary**  
**Job Location: Bowling Green, KY**  
**Contractor: J & J Concrete & Excavating, LLC**

PC: E. Bradley  
 TECH: C.Russ  
 Plant: Beaver Dam



Structure ID: **SSMH A9**

Spec: Sanitary  
 Type: SAN.MH  
 Size: 48"

Rim: 607'  
 Invert: 602.19'  
 Rim to Invert: 4.81'

Sump: 2"  
 Floor (Top): 602.023'  
 Floor Height: 6"

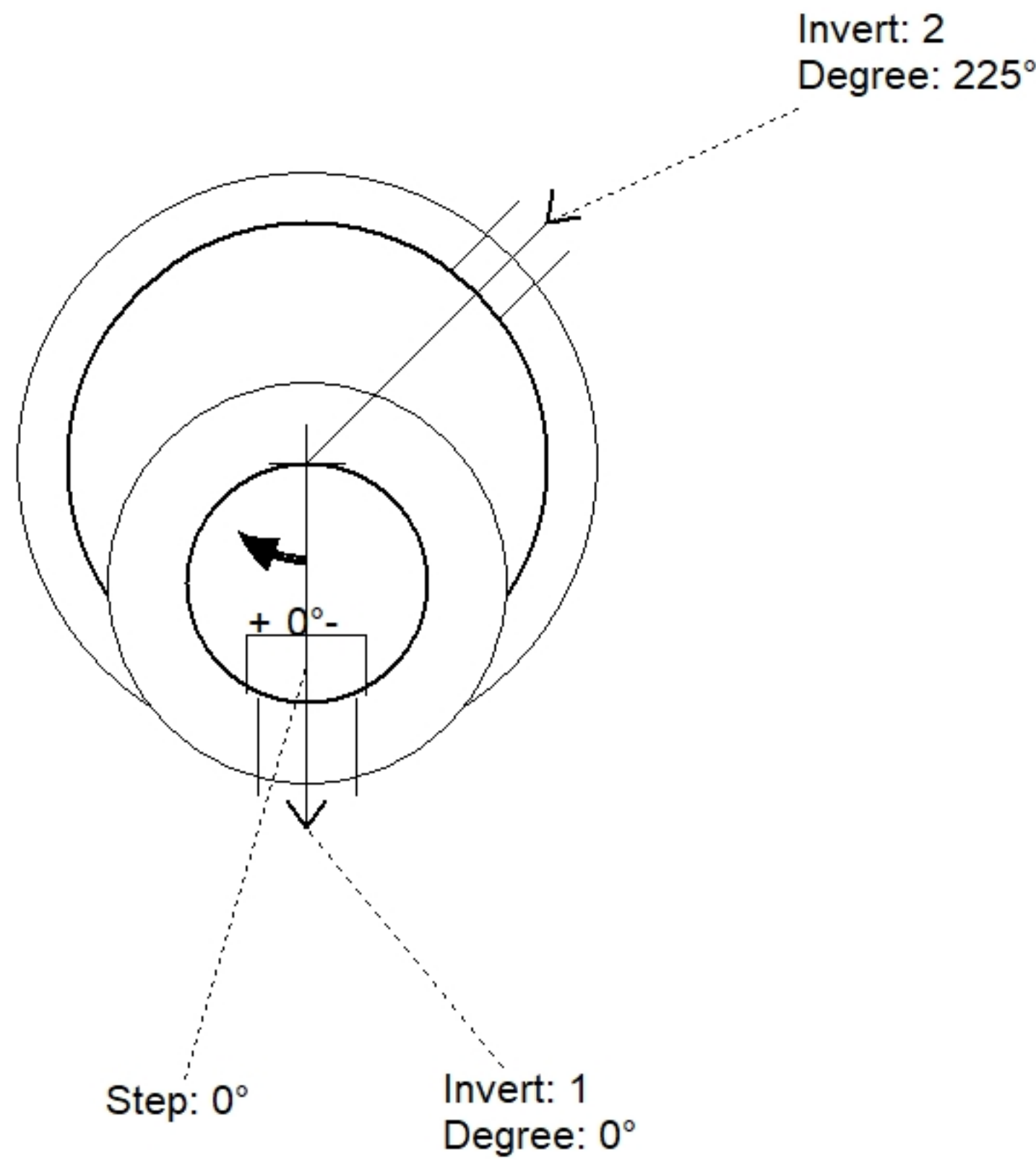
Floor (Bot): 601.523'  
 Overall Height: 5.417'  
 Slack: 0.72"

Structure Notes:

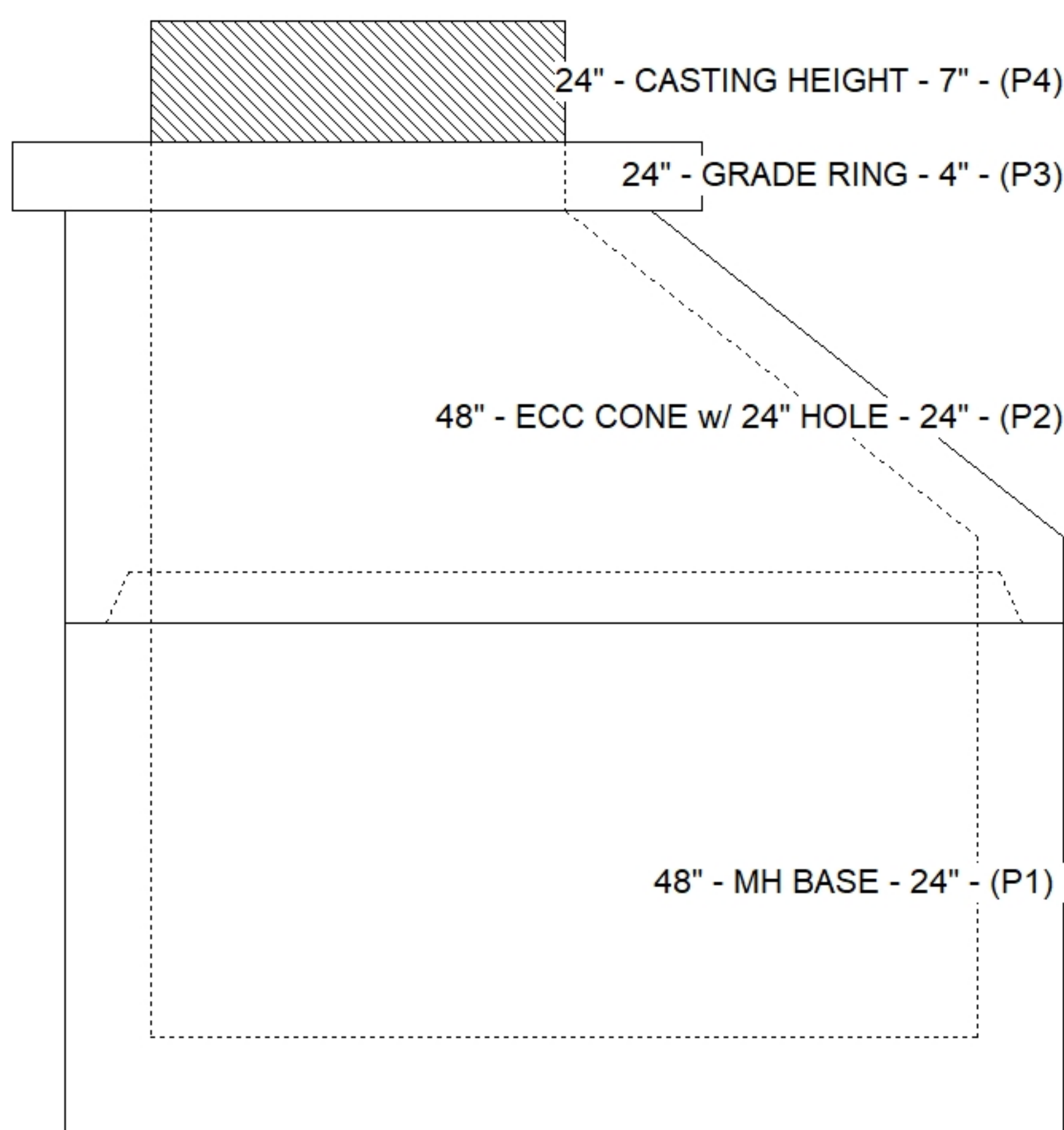
- PER ASTM C478 SPECIFICATIONS.
- CONCRETE = 4,000 PSI AT 28 DAYS.
- HOE 375 F/C "SANITARY" BY ICAST
- REINFORCING PER ASTM A615 (GRADE 60).
  - CONE (As .12)
  - RISER/WALLS (As .12)
  - FLOOR (As .31) #5 BARS AT 12" C.C.E.W.

STRUCTURE SUMMARY:

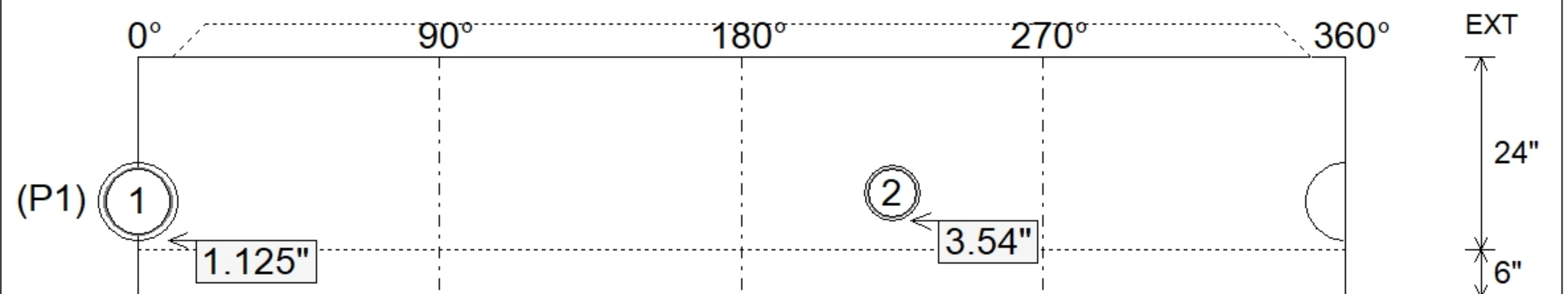
P4) 24" - CASTING HEIGHT - 7"	0 lb
P3) 24" - GRADE RING - 4"	270 lb
P2) 48" - ECC CONE w/ 24" HOLE - 24"	1550 lb
P1) 48" - MH BASE - 24"	2959 lb
1) 48" - MH INVERT CHANNEL - FULL HEIGHT	1440 lb
1) JOINT WRAP - 12" WD x 048" MAC WRAP	0 lb
1) CASTING - HOE MC-375 F/C Sanitary	271 lb
1) 48" - DBL 1"x14.5' Butyl (2x)	0 lb
1) A-Lok - 0285	1 lb
1) A-Lok - 0200	1 lb
3) MH Step ML-10-TDS-NCR - 10"	0 lb
<b>Structure Total:</b>	<b>6492 lb</b>



Position	Elev	Angle	Pipe	Pipe OD	Hole	Connector	Up (")	Ref
Rim	607'							
Reducer								
Invert 1	602.19'	0°	8" PVC SDR35	8.5"	9.75"	A-Lok 0285	1.125"	P1
Invert 2	602.36'	225°	6" PVC SDR35	6.25"	7"	A-Lok 0200	3.54"	P1
Invert 3								
Invert 4								
Invert 5								
Invert 6								
Invert 7								
Invert 8								



Default - Interior Dimensions



Submittal Drawing  
 10/30/2025 8:59:20 AM

SUBMITTAL  
 APPROVED BY: