

Job Name: 25-3431B Plano Bridleton Farms Sanitary
Job Location: Bowling Green, KY
Contractor: J & J Concrete & Excavating, LLC

PC: E. Bradley
 TECH: C.Russ
 Plant: Beaver Dam



Structure ID: **SSMH A8**

Spec: Sanitary
 Type: SAN.MH
 Size: 48"

Rim: 605.67'
 Invert: 600.51'
 Rim to Invert: 5.16'

Sump: 2"
 Floor (Top): 600.343'
 Floor Height: 6"

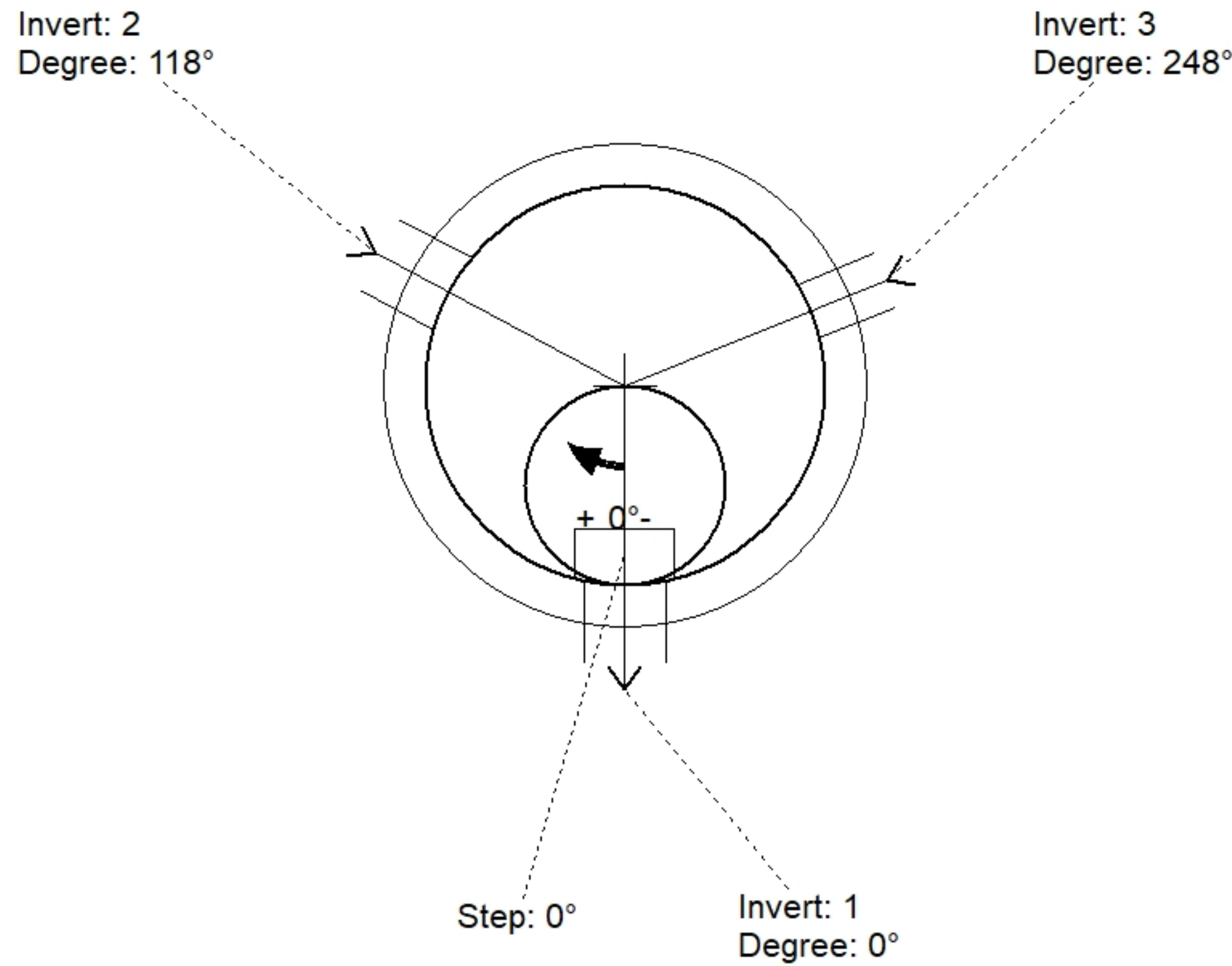
Floor (Bot): 599.843'
 Overall Height: 5.583'
 Slack: 2.92"

Structure Notes:

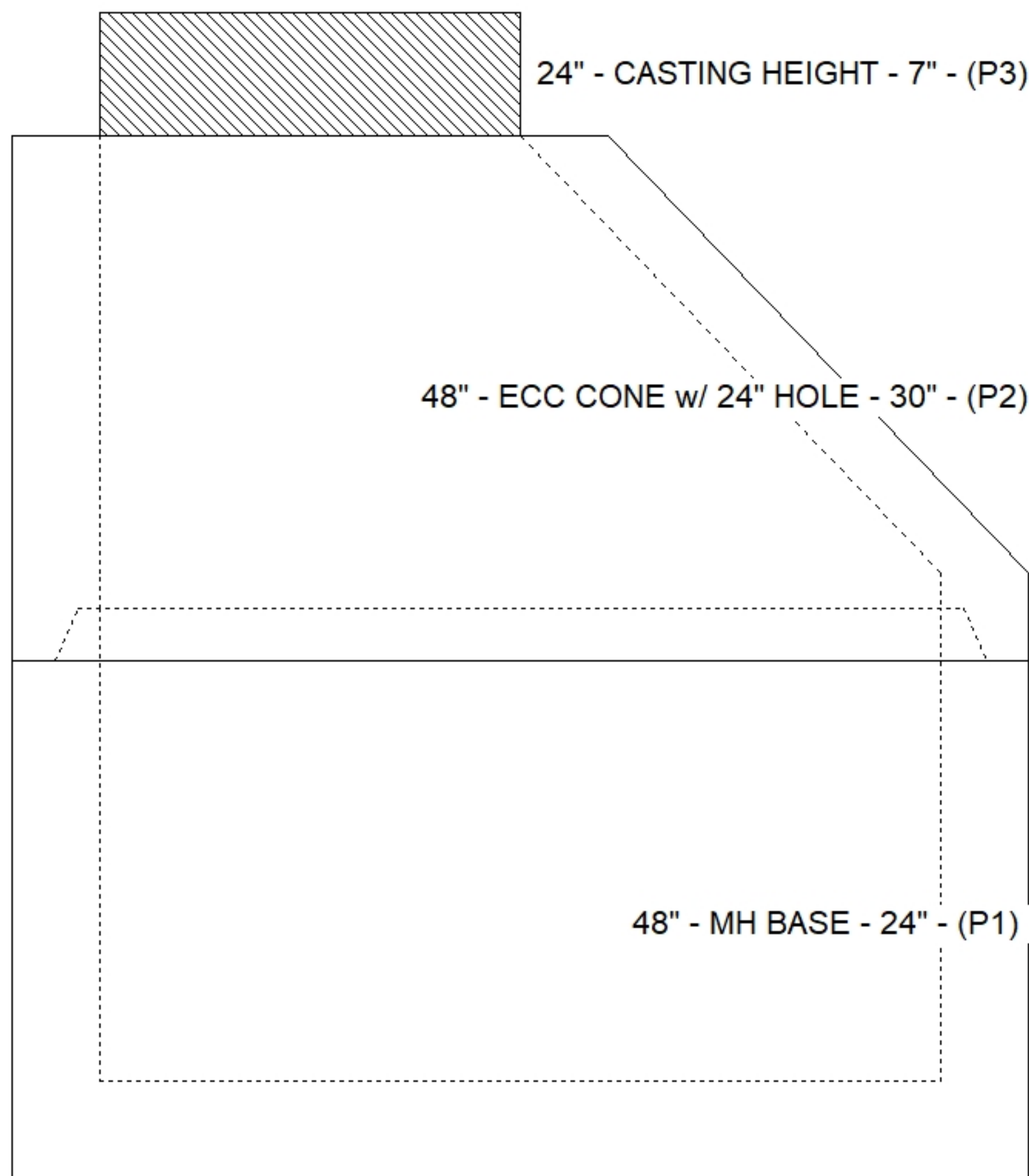
1. PER ASTM C478 SPECIFICATIONS.
2. CONCRETE = 4,000 PSI AT 28 DAYS.
3. HOE 375 F/C "SANITARY" BY ICAST
3. REINFORCING PER ASTM A615 (GRADE 60).
 - CONE (As .12)
 - RISER/WALLS (As .12)
 - FLOOR (As .31) #5 BARS AT 12" C.C.E.W.

STRUCTURE SUMMARY:

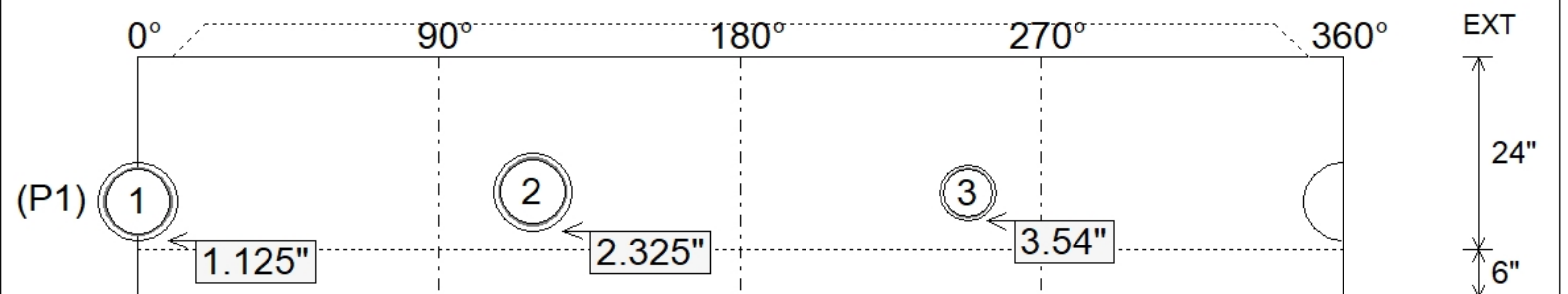
P3) 24" - CASTING HEIGHT - 7"	0 lb
P2) 48" - ECC CONE w/ 24" HOLE - 30"	2050 lb
P1) 48" - MH BASE - 24"	2928 lb
1) 48" - MH INVERT CHANNEL - FULL HEIGHT	1440 lb
1) JOINT WRAP - 12" WD x 048" MAC WRAP	0 lb
1) CASTING - HOE MC-375 F/C Sanitary	271 lb
1) 48" - DBL 1"x14.5' Butyl (2x)	0 lb
2) A-Lok - 0285	2 lb
1) A-Lok - 0200	1 lb
4) MH Step ML-10-TDS-NCR - 10"	0 lb
Structure Total:	6692 lb



Position	Elev	Angle	Pipe	Pipe OD	Hole	Connector	Up (")	Ref
Rim	605.67'							
Reducer								
Invert 1	600.51'	0°	8" PVC SDR35	8.5"	9.75"	A-Lok 0285	1.125"	P1
Invert 2	600.61'	118°	8" PVC SDR35	8.5"	9.75"	A-Lok 0285	2.325"	P1
Invert 3	600.68'	248°	6" PVC SDR35	6.25"	7"	A-Lok 0200	3.54"	P1
Invert 4								
Invert 5								
Invert 6								
Invert 7								
Invert 8								



Default - Interior Dimensions



Submittal Drawing
 10/30/2025 8:59:20 AM

SUBMITTAL
 APPROVED BY: