

**Job Name: 25-3431B Plano Bridleton Farms Sanitary**  
**Job Location: Bowling Green, KY**  
**Contractor: J & J Concrete & Excavating, LLC**

PC: E. Bradley  
 TECH: C.Russ  
 Plant: Beaver Dam



Structure ID: **SSMH A6**

Spec: Sanitary  
 Type: SAN.MH  
 Size: 48"

Rim: 606.3'  
 Invert: 598.06'  
 Rim to Invert: 8.24'

Sump: 2"  
 Floor (Top): 597.893'  
 Floor Height: 6"

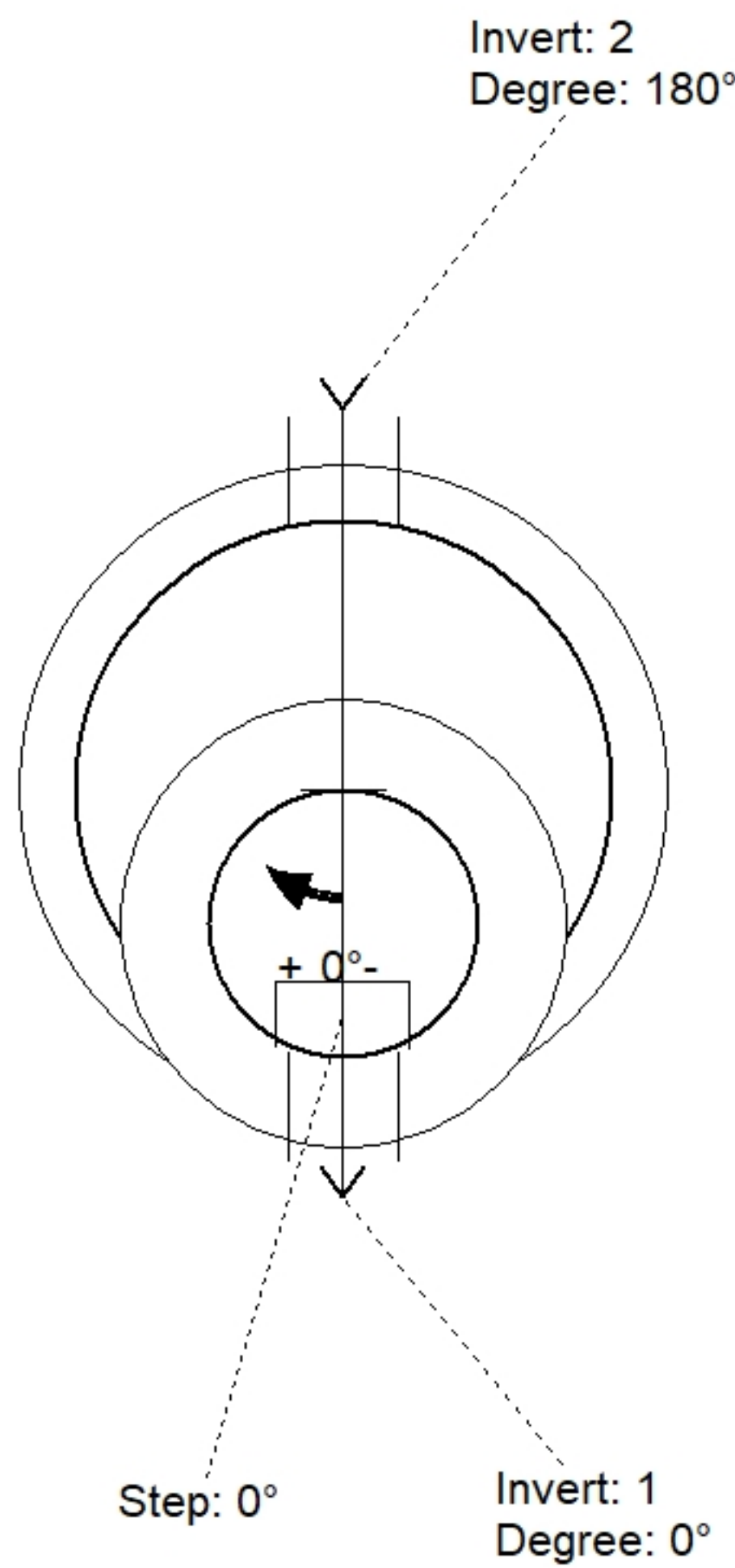
Floor (Bot): 597.393'  
 Overall Height: 8.833'  
 Slack: 0.88"

**Structure Notes:**

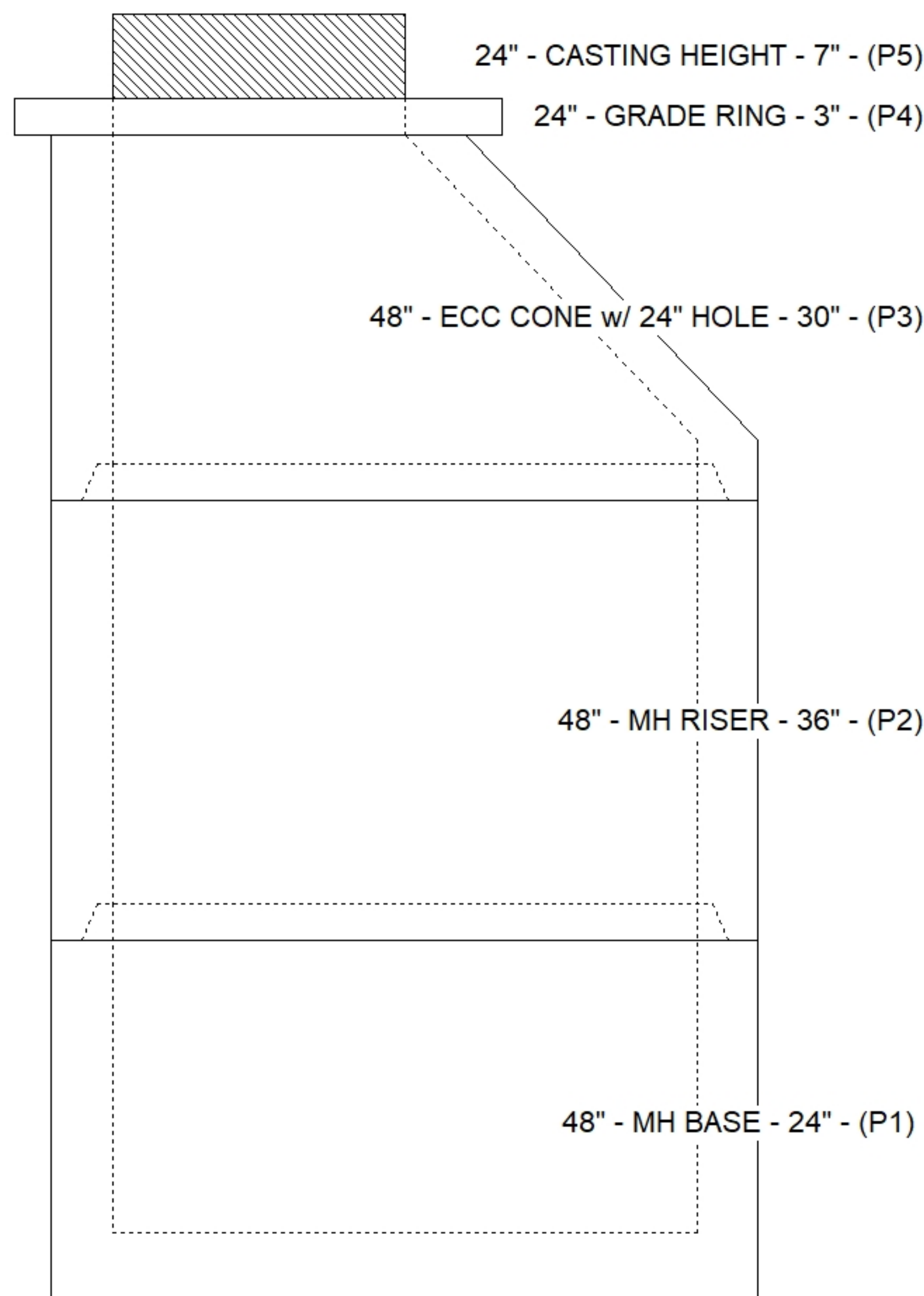
1. PER ASTM C478 SPECIFICATIONS.
2. CONCRETE = 4,000 PSI AT 28 DAYS.
3. HOE 375 F/C "SANITARY" BY ICAST
3. REINFORCING PER ASTM A615 (GRADE 60).
  - CONE (As .12)
  - RISER/WALLS (As .12)
  - FLOOR (As .31) #5 BARS AT 12" C.C.E.W.

**STRUCTURE SUMMARY:**

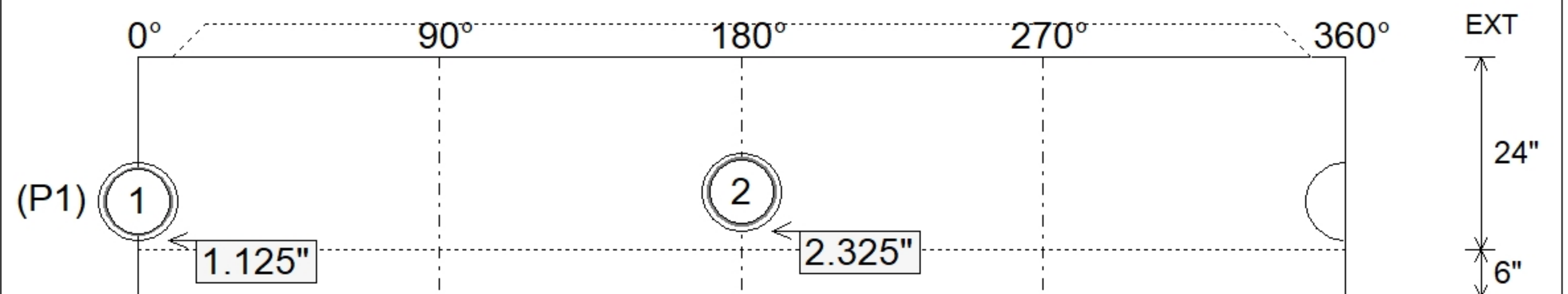
P5) 24" - CASTING HEIGHT - 7"	0 lb
P4) 24" - GRADE RING - 3"	202 lb
P3) 48" - ECC CONE w/ 24" HOLE - 30"	2050 lb
P2) 48" - MH RISER - 36"	2515 lb
P1) 48" - MH BASE - 24"	2944 lb
1) 48" - MH INVERT CHANNEL - FULL HEIGHT	1440 lb
1) JOINT WRAP - 12" WD x 048" MAC WRAP	0 lb
1) CASTING - HOE MC-375 F/C Sanitary	271 lb
2) 48" - DBL 1"x14.5' Butyl (2x)	0 lb
2) A-Lok - 0285	2 lb
7) MH Step ML-10-TDS-NCR - 10"	0 lb
<b>Structure Total:</b>	<b>9424 lb</b>



Position	Elev	Angle	Pipe	Pipe OD	Hole	Connector	Up (")	Ref
Rim	606.3'							
Reducer								
Invert 1	598.06'	0°	8" PVC SDR35	8.5"	9.75"	A-Lok 0285	1.125"	P1
Invert 2	598.16'	180°	8" PVC SDR35	8.5"	9.75"	A-Lok 0285	2.325"	P1
Invert 3								
Invert 4								
Invert 5								
Invert 6								
Invert 7								
Invert 8								



**Default - Interior Dimensions**



Submittal Drawing  
 10/30/2025 8:59:19 AM

SUBMITTAL  
 APPROVED BY: