



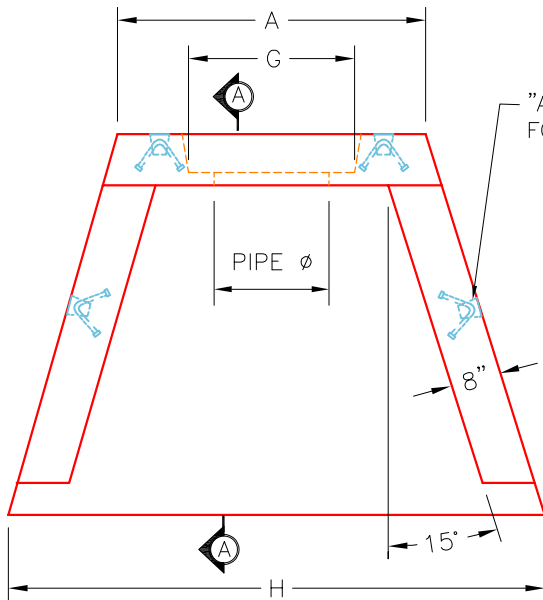
Structure ID: ST-F5

P1 HWSF24F

24" - HW SLOPED & FLARED w/FLAT BOTTOM

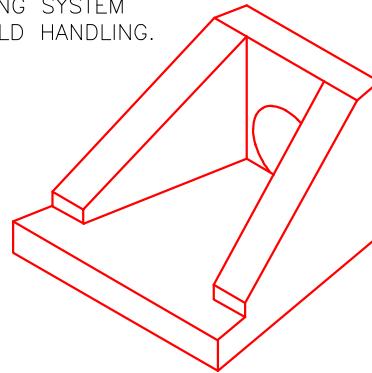
DIMENSIONS

PIPE ϕ	A	B	C	D	E	F	G	H	WEIGHT
24"	3'-6"	4'-4"	2'-10"	8"	5'-0"	4"	2'-10"	6'-0"	.3,711 LBS.

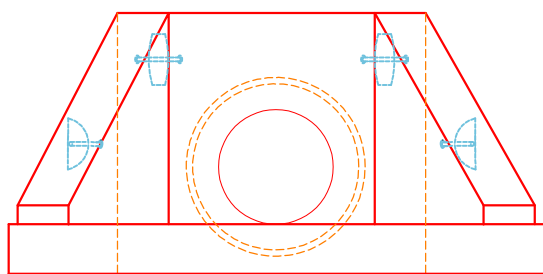


PLAN VIEW

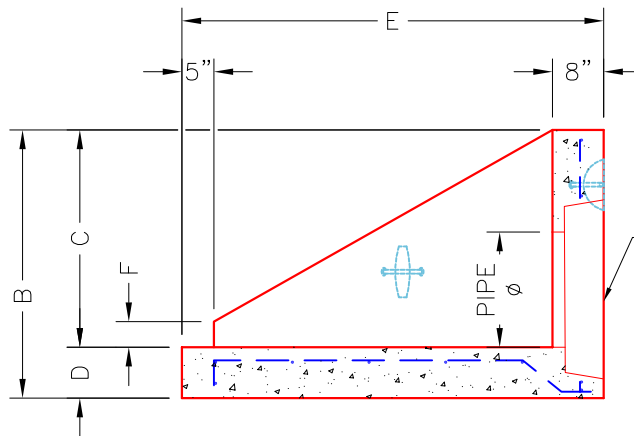
"A-ANCHOR" LIFTING SYSTEM FOR PLANT & FIELD HANDLING.



ISOMETRIC VIEW



FRONT ELEVATION



SECTION A-A

STEPPED HOLE FORMER FOR 15" PIPE ϕ . (PIPE O.D. + 3"-4")

NOTES:

1. CONCRETE: KYTC APPROVED.
2. REINFORCING: #4 BAR @ 12" C/C E.W.-GRADE 60, (WITH 2" CONCRETE COVER MINIMUM)
3. REINFORCING BARS TO BE TACK WELDED OR TIED.
4. PIPE AND LIFTING ANCHOR POCKETS TO BE GROUTED WITH KYTC APPROVED NON-SHRINK GROUT.
5. DRAWING TO BE USED IN CONJUNCTION WITH KYTC STD. DRAWING RDH-020-03 AND THE STANDARD SPECIFICATIONS FOR ROAD AND BRIDGE CONSTRUCTION.
6. $\frac{3}{4}$ " CHAMFER ON ALL EXPOSED EDGES.
7. PREFORMED STEPPED HOLE SIZED AS PER O.D. OF PIPE + 3"-4".