

Job Name: 25-3431 Plano Bridleton Farms Storm  
 Job Location: Bowling Green, KY  
 Contractor: J & J Concrete & Excavating, LLC

Plant: Beaver Dam  
 10/30/2025 11:31:56 AM

Tech: C.Russ  
 PC: E.Bradley



**Structure ID: ST-F3**

**P1 BX2436-08BVF**

**BOX BASE 8inW, 8inF, Variable Ht**

- P2) 24" x 36" - CASTING HEIGHT - 6.25"
- P1) 24" x 36" - BOX BASE 8inW, 8inF, Variable Ht - 40"
- 1) CASTING - EJ 4510 F/G
- 1) 24" x 36" - SGL 1"x14.5' Butyl
- 2) Hole - 34

Structure Notes:  
 1. PER ASTM C913 SPECIFICATIONS.  
 2. CONCRETE = 4,000 PSI AT 28 DAYS.  
 3. NO INVERT CHANNEL.  
 4. EJ 4510 F/G BY ICAST  
 5. REINFORCING PER ASTM A615 (GRADE 60).  
 - WALLS (As .12) #5 BARS AT 12" C.C.E.W.  
 - FLOOR (As .12) #5 BARS AT 12" C.C.E.W.

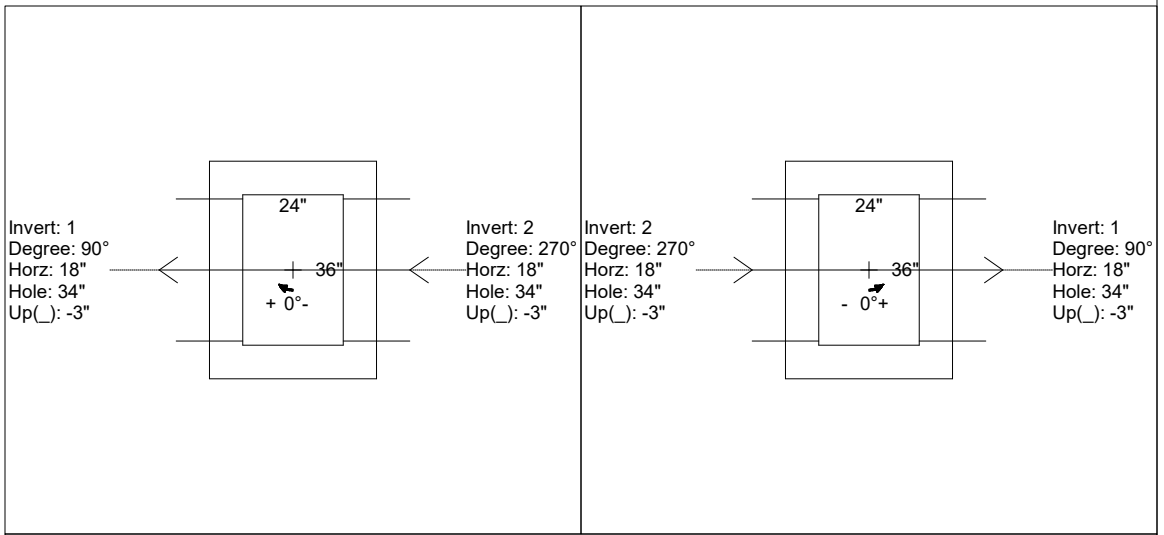
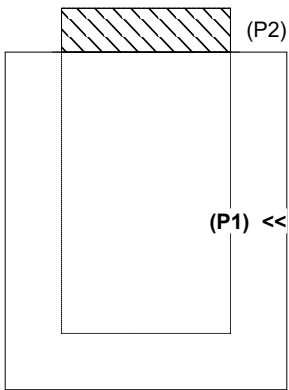
Structure Total: 4704 lb

Rim: 601.08' Rim to Invert: 4.12' Slack: 3.19' Sump: 0' Step Position:

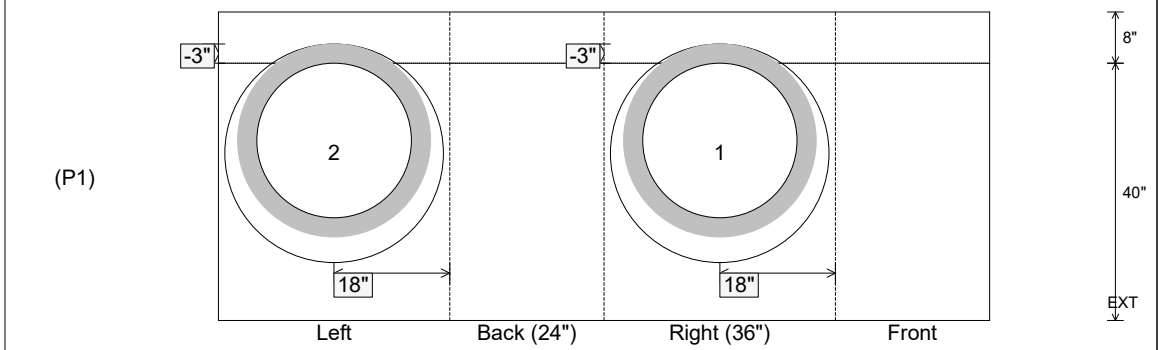
Position	Elev	Angle	Ext. (cw)	Pipe	Pipe OD	Connector	Hole	Horz Size	Up ( )	Offset
Invert 1	596.96'	90°	26"	24" RCP B WALL	30"	Hole 34	34"	34"	-3"	0"
Invert 2	596.96'	270°	26"	24" RCP B WALL	30"	Hole 34	34"	34"	-3"	0"
Invert 3										
Invert 4										
Invert 5										
Invert 6										
Invert 7										
Invert 8										

RIGHT-SIDE UP VIEW (int. dimensions)

UPSIDE-DOWN VIEW (int. dimensions)



INSIDE WALL DIMENSIONS



Coating (Int): Coating (Ext):	Seam Up: Flat Seam Dn: n/a	Wall Thickness: 8" Floor Height: 8"	Height (Int): 40" Height (Ext): 48"	Weight (Net): 4259 lb Volume (Net): 1.09cu.yd
----------------------------------	-------------------------------	--	--	--