



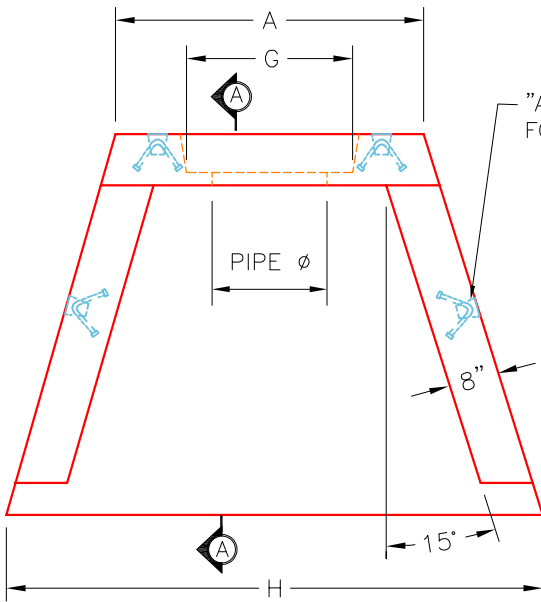
**Structure ID: ST-D1**

**P1 HWSF18F**

**18" - HW SLOPED & FLARED w/FLAT BOTTOM**

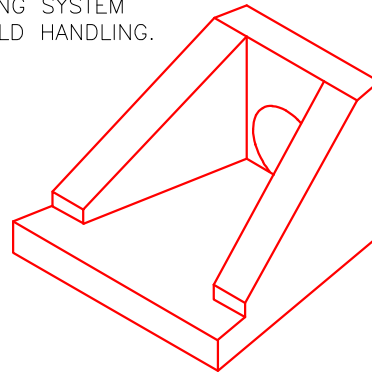
DIMENSIONS

PIPE $\phi$	A	B	C	D	E	F	G	H	WEIGHT
18"	3'-6"	4'-4"	2'-10"	8"	5'-0"	4"	2'-2"	6'-0"	3,711 LBS.

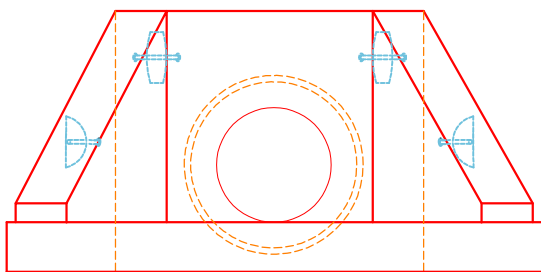


**PLAN VIEW**

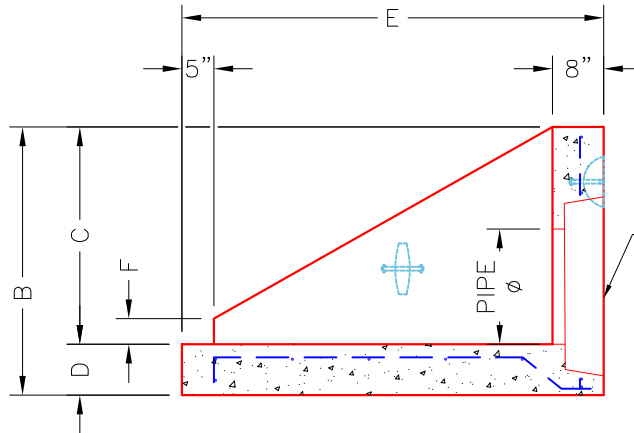
"A-ANCHOR" LIFTING SYSTEM FOR PLANT & FIELD HANDLING.



**ISOMETRIC VIEW**



**FRONT ELEVATION**



**SECTION A-A**

STEPPED HOLE FORMER FOR 15" PIPE  $\phi$ . (PIPE O.D. + 3"-4")

**NOTES:**

1. CONCRETE: KYTC APPROVED.
2. REINFORCING: #4 BAR @ 12" C/C E.W.-GRADE 60, (WITH 2" CONCRETE COVER MINIMUM)
3. REINFORCING BARS TO BE TACK WELDED OR TIED.
4. PIPE AND LIFTING ANCHOR POCKETS TO BE GROUTED WITH KYTC APPROVED NON-SHRINK GROUT.
5. DRAWING TO BE USED IN CONJUNCTION WITH KYTC STD. DRAWING RDH-020-03 AND THE STANDARD SPECIFICATIONS FOR ROAD AND BRIDGE CONSTRUCTION.
6.  $\frac{3}{4}$ " CHAMFER ON ALL EXPOSED EDGES.
7. PREFORMED STEPPED HOLE SIZED AS PER O.D. OF PIPE + 3"-4".