

Job Name: 25-3431 Plano Bridleton Farms Storm
Job Location: Bowling Green, KY
Contractor: J & J Concrete & Excavating, LLC

PC: E.Bradley
 TECH: C.Russ
 Plant: Beaver Dam



Structure ID: **ST-C1**
 Spec: Storm
 Type: STM.MH
 Size: 48"

Rim: 602.94'
 Invert: 599.44'
 Rim to Invert: 3.5'

Sump: 3"
 Floor (Top): 599.19'
 Floor Height: 6"

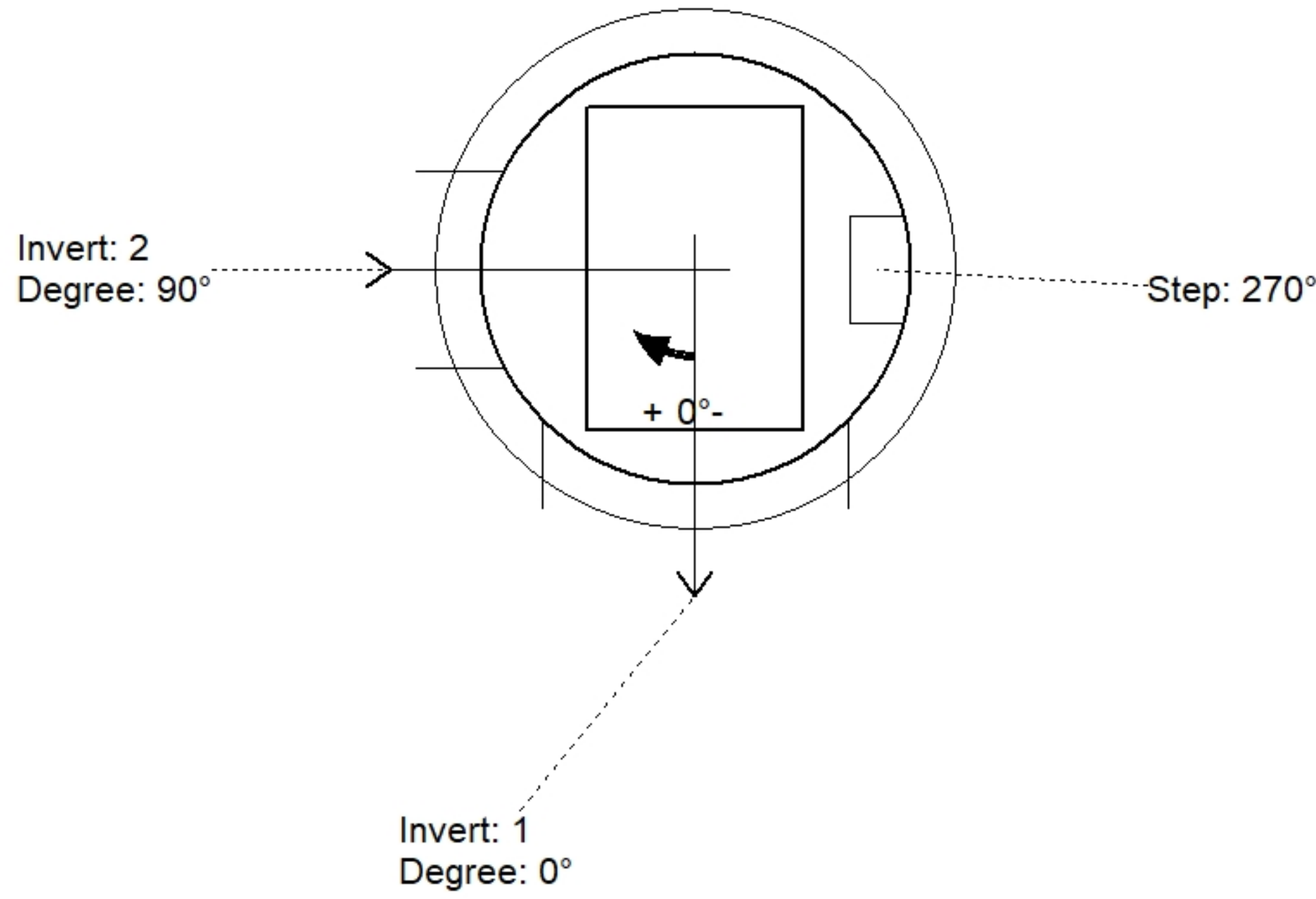
Floor (Bot): 598.69'
 Overall Height: 4.188'
 Slack: 0.75"

Structure Notes:

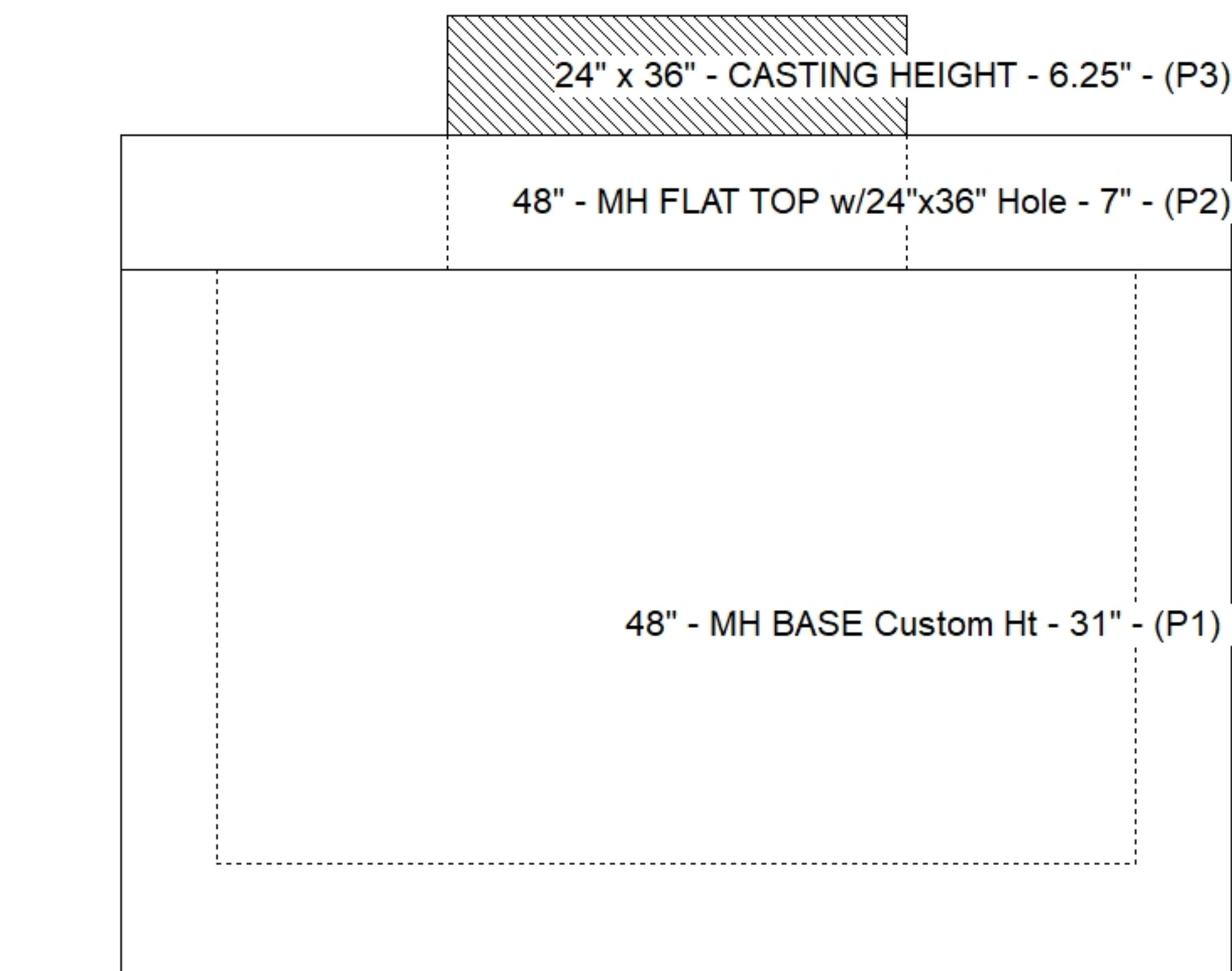
1. PER ASTM C478 SPECIFICATIONS.
2. CONCRETE = 4,000 PSI AT 28 DAYS.
3. EJ 4510 F/G BY ICAST
4. REINFORCING PER ASTM A615 (GRADE 60).
 - TOP SLAB (As .62) #5 BARS AT 6" C.C.E.W..
 - RISER/WALLS (As .12)
 - FLOOR (As .31) #5 BARS AT 12" C.C.E.W.

STRUCTURE SUMMARY:

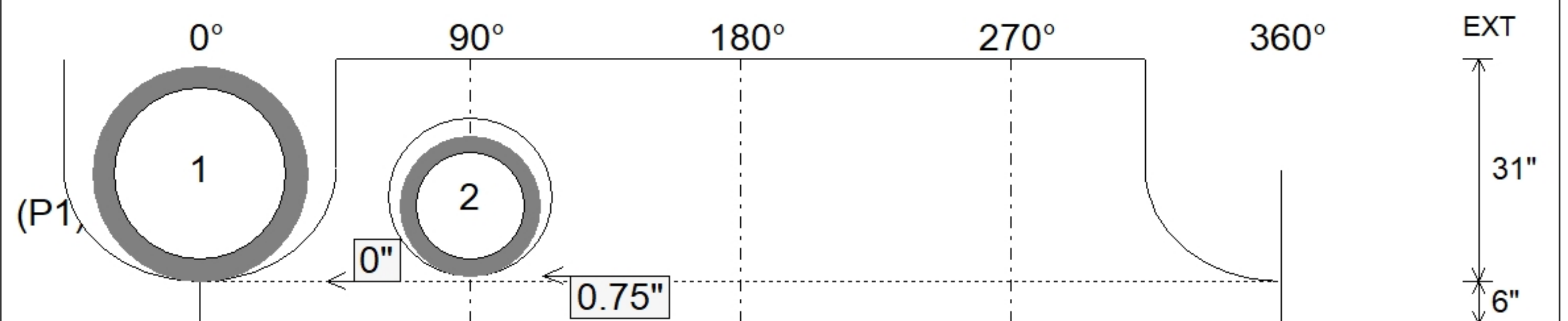
P3) 24" x 36" - CASTING HEIGHT - 6.25"	0 lb
P2) 48" - MH FLAT TOP w/24"x36" Hole - 7"	1044 lb
P1) 48" - MH BASE Custom Ht - 31"	2901 lb
1) 48" - SGL 1"x14.5' Butyl (2x)	0 lb
1) DOGHOUSE INVRTD - 34"x31"	0 lb
1) Hole - 22	0 lb
2) MH Step ML-10-TDS-NCR - 10"	0 lb
Structure Total:	3945 lb



Position	Elev	Angle	Pipe	Pipe OD	Hole	Connector	Up ()	Ref
Rim	602.94'							
Reducer								
Invert 1	599.44'	0°	24" RCP B WALL	30"	34" x 31"	DOGHOUSE INVRTD 34"x31"	0"	P1
Invert 2	599.44'	90°	15" RCP B WALL	19.5"	22"	Hole 22	0.75"	P1
Invert 3								
Invert 4								
Invert 5								
Invert 6								
Invert 7								
Invert 8								



Default - Interior Dimensions



Submittal Drawing
 11/3/2025 7:42:58 AM

SUBMITTAL
 APPROVED BY: