

Job Name: 25-3431 Plano Bridleton Farms Storm
Job Location: Bowling Green, KY
Contractor: J & J Concrete & Excavating, LLC

PC: E.Bradley
 TECH: C.Russ
 Plant: Beaver Dam



Structure ID: **ST-B5**

Spec: Storm
 Type: STM.MH
 Size: 60"

Rim: 603.74'
 Invert: 598.19'
 Rim to Invert: 5.55'

Sump: 4"
 Floor (Top): 597.857'
 Floor Height: 8"

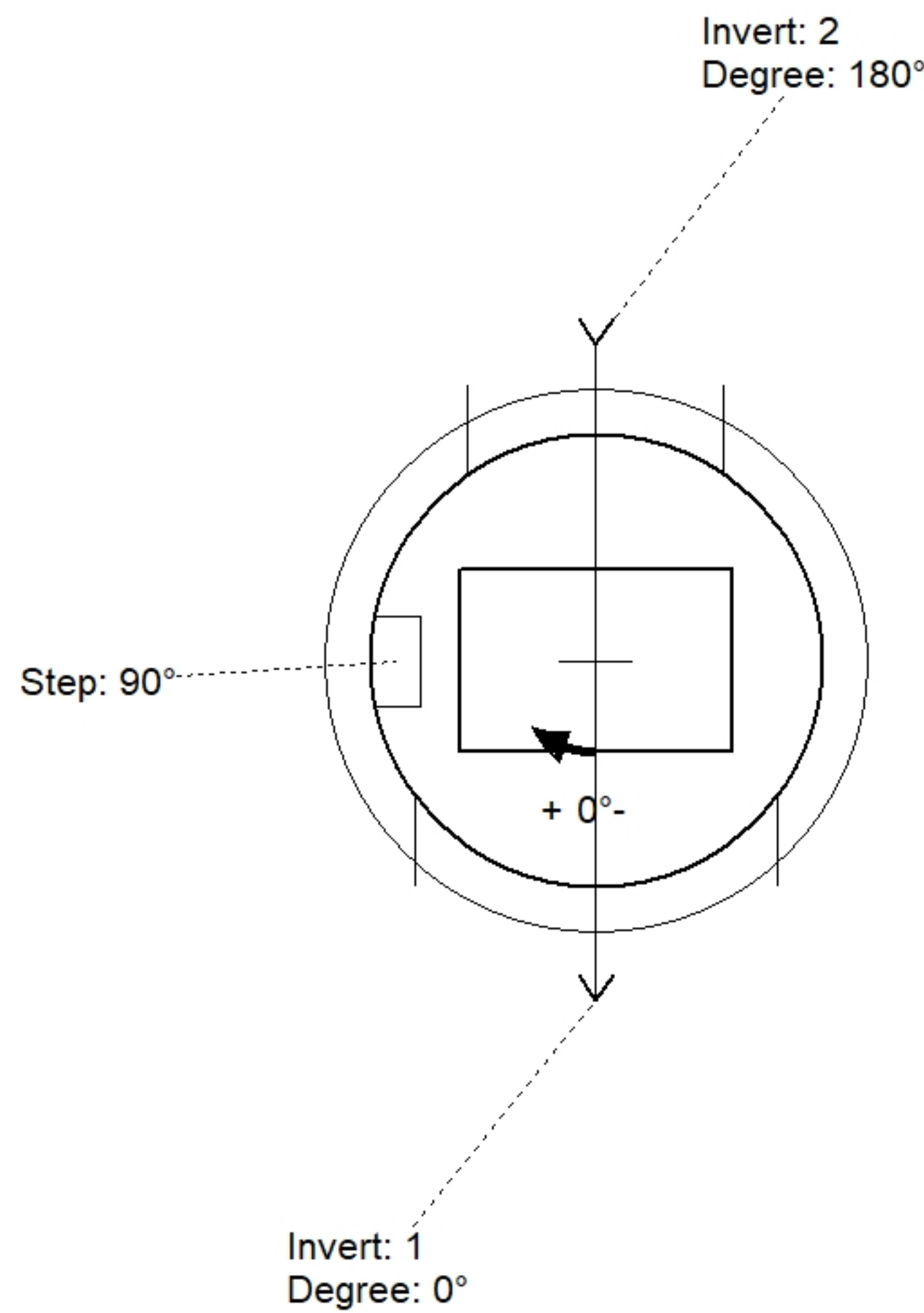
Floor (Bot): 597.19'
 Overall Height: 6.188'
 Slack: 4.35"

Structure Notes:

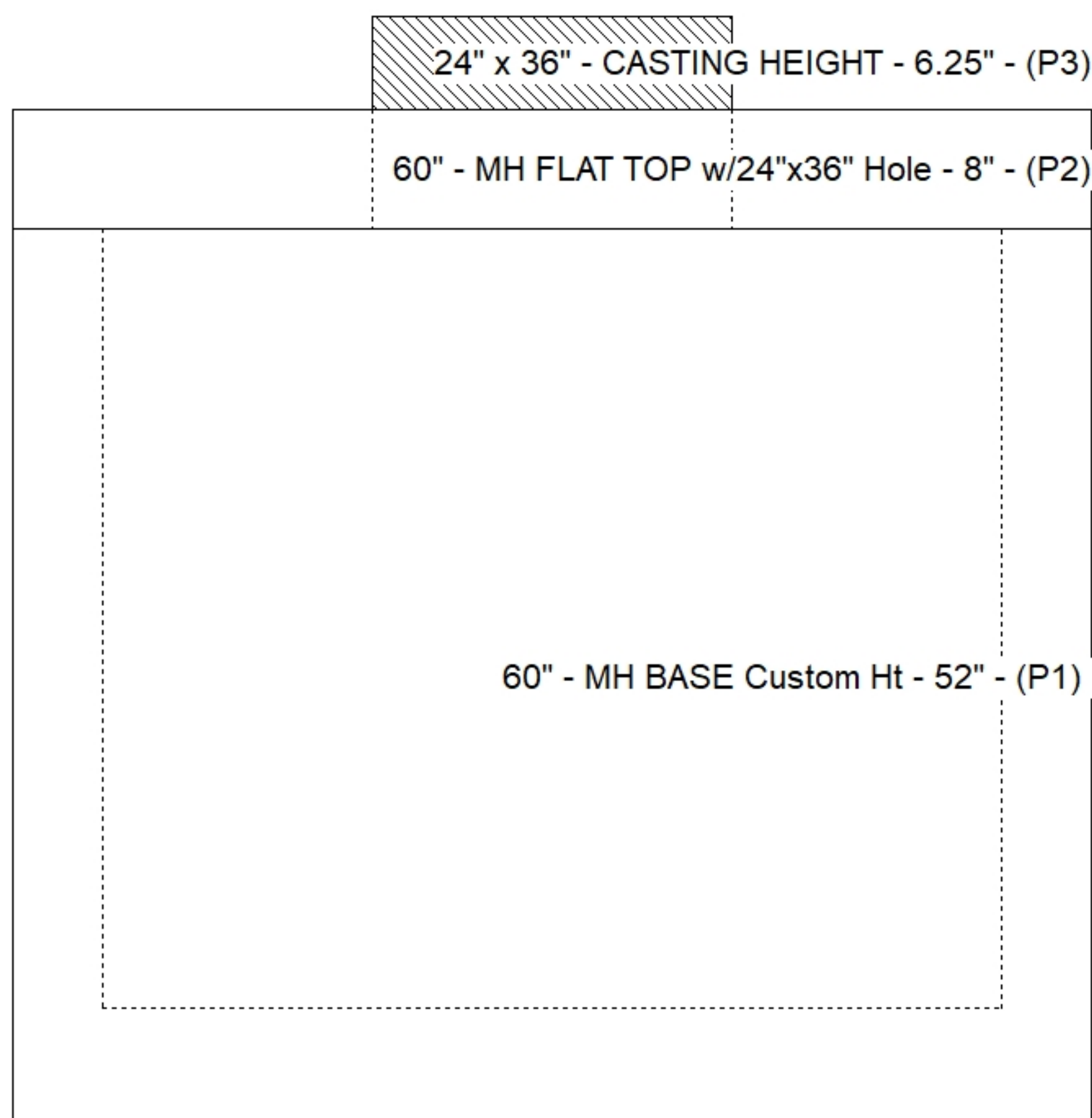
1. PER ASTM C478 SPECIFICATIONS.
2. CONCRETE = 4,000 PSI AT 28 DAYS.
3. EJ 4510 F/G BY ICAST
4. REINFORCING PER ASTM A615 (GRADE 60).
 - TOP SLAB (As .62) #5 BARS AT 6" C.C.E.W..
 - RISER/WALLS (As .18)
 - FLOOR (As .37) #5 BARS AT 10" C.C.E.W.

STRUCTURE SUMMARY:

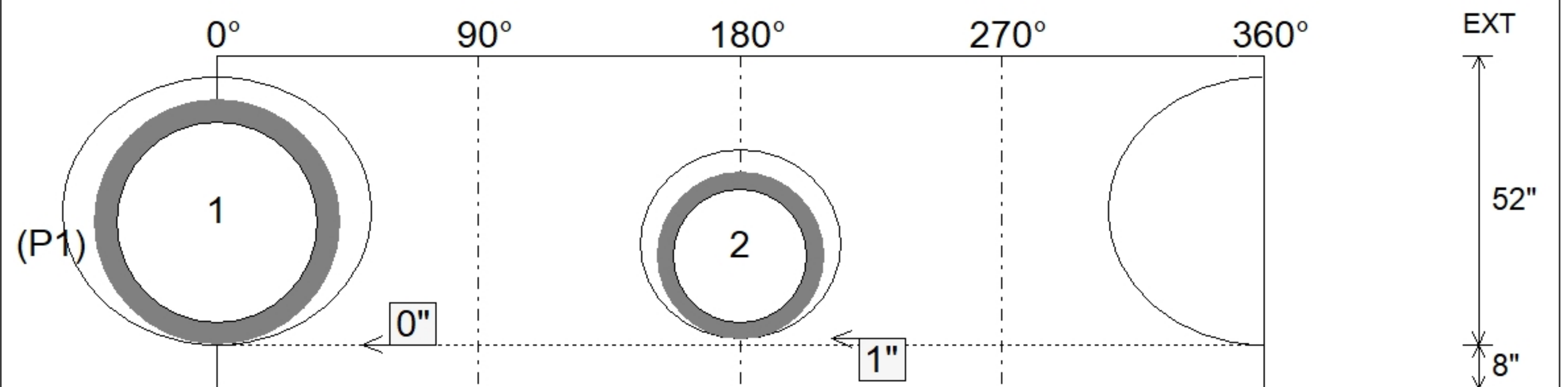
P3) 24" x 36" - CASTING HEIGHT - 6.25"	0 lb
P2) 60" - MH FLAT TOP w/24"x36" Hole - 8"	2153 lb
P1) 60" - MH BASE Custom Ht - 52"	6654 lb
1) 60" - SGL 1"x14.5' Butyl (2x)	0 lb
1) Hole - 48	0 lb
1) Hole - 34	0 lb
4) MH Step ML-10-TDS-NCR - 10"	0 lb
Structure Total:	8807 lb



Position	Elev	Angle	Pipe	Pipe OD	Hole	Connector	Up ()	Ref
Rim	603.74'							
Reducer								
Invert 1	598.19'	0°	36" RCP B WALL	44"	48"	Hole 48	0"	P1
Invert 2	598.19'	180°	24" RCP B WALL	30"	34"	Hole 34	1"	P1
Invert 3								
Invert 4								
Invert 5								
Invert 6								
Invert 7								
Invert 8								



Default - Interior Dimensions



Submittal Drawing
 11/3/2025 7:42:57 AM

SUBMITTAL
 APPROVED BY: