

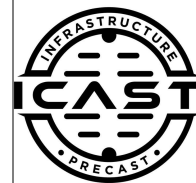
Job Name: 25-3431 Plano Bridleton Farms Storm
 Job Location: Bowling Green, KY
 Contractor: J & J Concrete & Excavating, LLC

Plant: Beaver Dam

Tech: C.Russ

10/30/2025 12:17:39 PM

PC: E.Bradley



Structure ID: ST-B5

P2 MH060LD08-24X36RECT

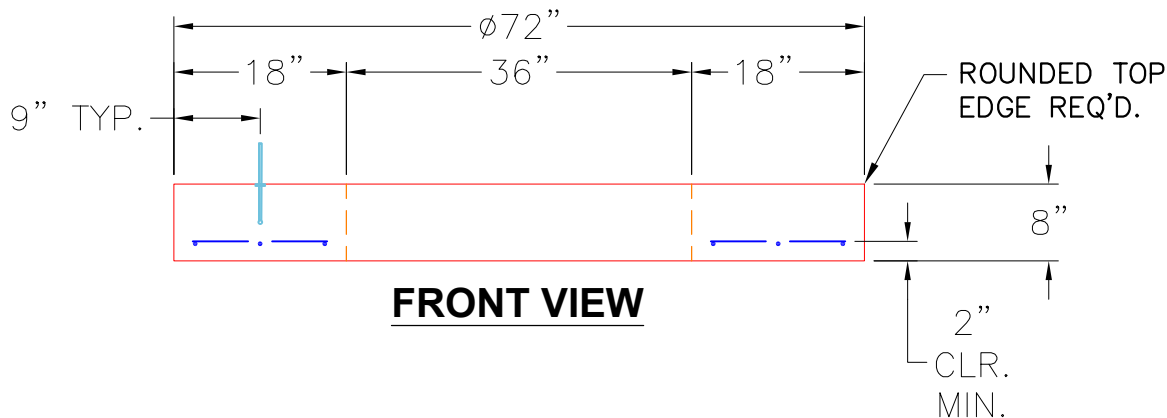
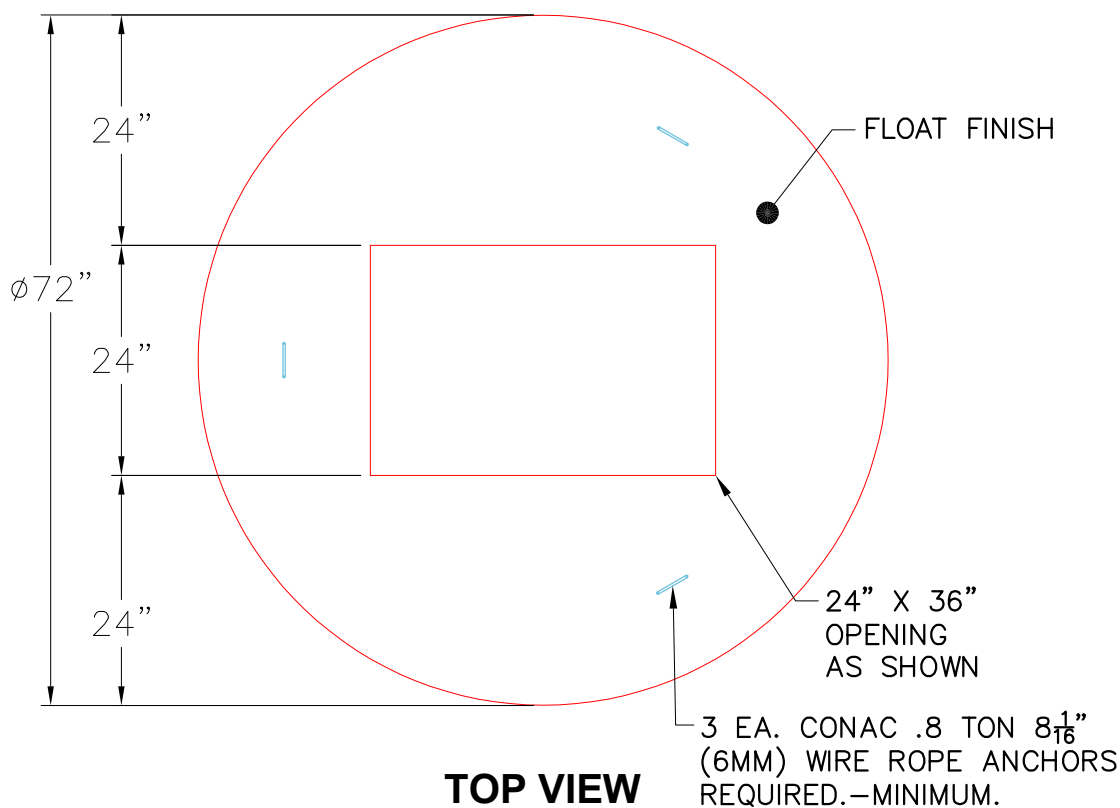
MH FLAT TOP w/24"x36" Hole

- P3) 24" x 36" - CASTING HEIGHT - 6.25"
- P2) 60" - MH FLAT TOP w/24"x36" Hole - 8"
- P1) 60" - MH BASE Custom Ht - 52"
- 1) CASTING - EJ 4510 F/G
- 1) 60" - SGL 1"x14.5' Butyl (2x)
- 1) Hole - 48
- 1) Hole - 34
- 4) MH Step ML-10-TDS-NCR - 10"

0 lb
 2153 lb
 6654 lb
 445 lb
 0 lb
 0 lb
 0 lb
 0 lb

 Structure Total: 9252 lb

- Structure Notes:**
1. PER ASTM C478 SPECIFICATIONS.
 2. CONCRETE = 4,000 PSI AT 28 DAYS.
 3. EJ 4510 F/G BY ICAST
 4. REINFORCING PER ASTM A615 (GRADE 60).
 - TOP SLAB (As .62) #5 BARS AT 6" C.C.E.W..
 - RISER/WALLS (As .18)
 - FLOOR (As .37) #5 BARS AT 10" C.C.E.W.



Coating (Int):
 Coating (Ext):

Seam Up: Flat
 Seam Dn: Flat

Wall Thickness: 6"

Height (Ext): 8"

Weight (Net): 2153 lb
 Volume (Net): 0.55cu.yd