

**Job Name: 25-3431 Plano Bridleton Farms Storm**  
**Job Location: Bowling Green, KY**  
**Contractor: J & J Concrete & Excavating, LLC**

PC: E.Bradley  
 TECH: C.Russ  
 Plant: Beaver Dam



Structure ID: **ST-B4**

Spec: Storm  
 Type: BX 8inW, 8inF  
 Size: 30" x 108"

Rim: 603.74'  
 Invert: 598.08'  
 Rim to Invert: 5.66'

Sump: 0"  
 Floor (Top): 598.08'  
 Floor Height: 8"

Floor (Bot): 597.413'  
 Overall Height: 6.271'  
 Slack: 0.67"

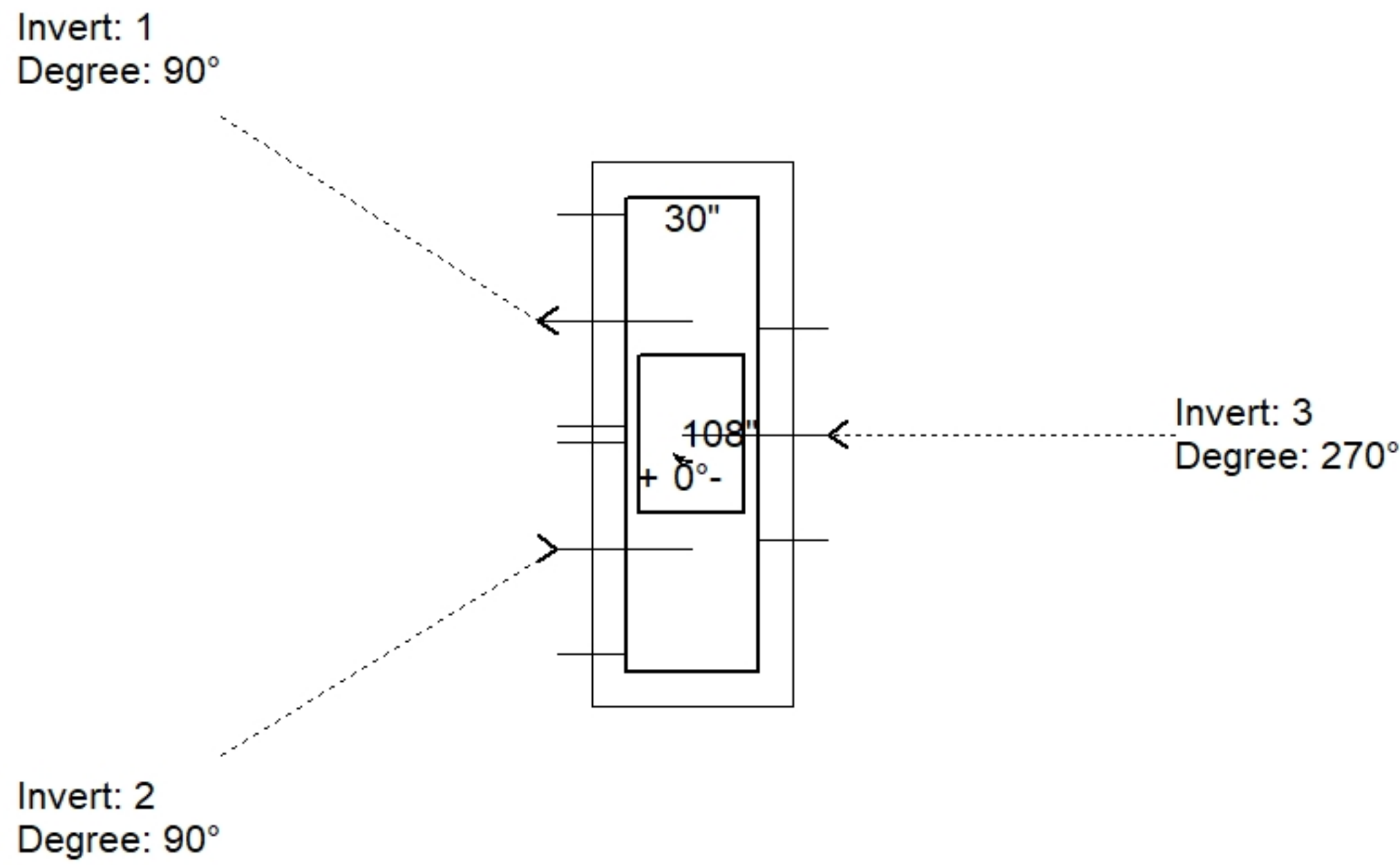
**Structure Notes:**

1. PER ASTM C913 SPECIFICATIONS.
2. CONCRETE = 4,000 PSI AT 28 DAYS.
3. EJ 4510 F/G BY ICAST

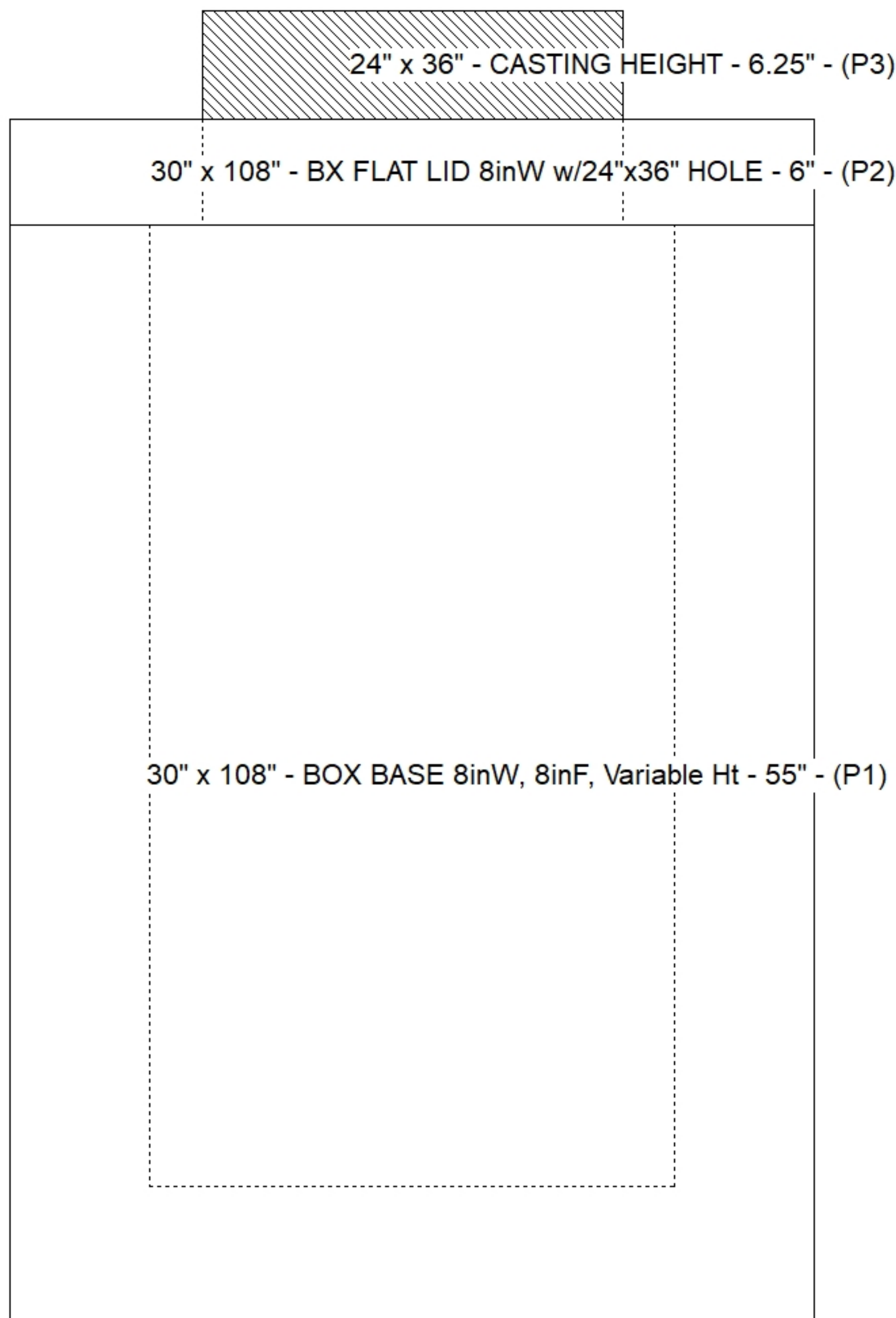
REINFORCING PER ASTM A615 (GRADE 60).  
 - TOP SLAB (As .62) #5 BARS AT 6" C.C.E.W..  
 - RISER/WALLS (As .36)#5 BARS AT 8" C.C.E.W..  
 - FLOOR (As .47) #5 BARS AT 8" C.C.E.W.

**STRUCTURE SUMMARY:**

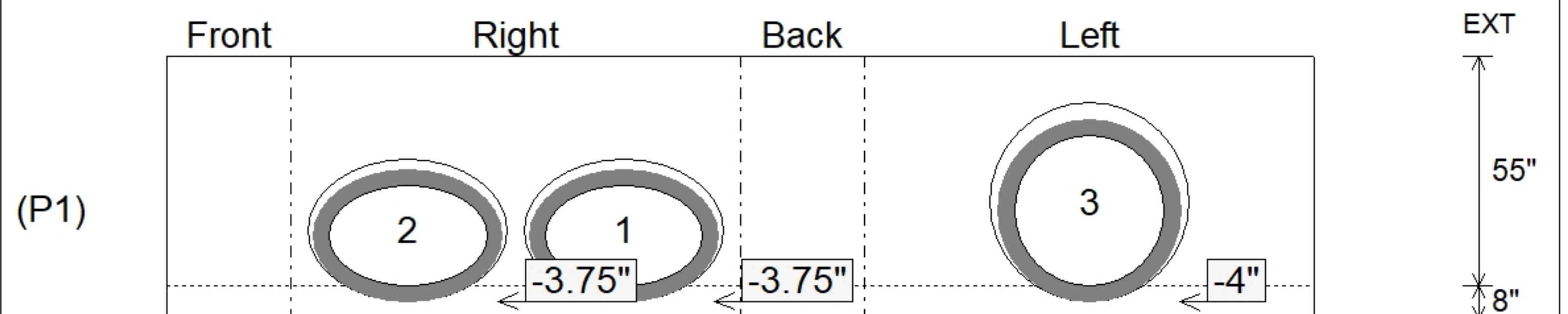
P3) 24" x 36" - CASTING HEIGHT - 6.25"	0 lb
P2) 30" x 108" - BX FLAT LID 8inW w/24"x36" HOLE - 6"	2437 lb
P1) 30" x 108" - BOX BASE 8inW, 8inF, Variable Ht - 55"	12265 lb
1) 24" x 36" - SGL 1"x14.5' Butyl	0 lb
2) Hole - 48 x 34	0 lb
1) Hole - 48	0 lb
<b>Structure Total:</b>	<b>14702 lb</b>



Position	Elev	Angle	Pipe	Pipe OD	Hole	Connector	Up ( )	Ref
Rim	603.74'							
Reducer								
Invert 1	598.08'	90°	38" x 24" ELL RCP	45.5" x 31.5"	48" x 34"	Hole 48 x 34	-3.75"	P1
Invert 2	598.08'	90°	38" x 24" ELL RCP	45.5" x 31.5"	48" x 34"	Hole 48 x 34	-3.75"	P1
Invert 3	598.08'	270°	36" RCP B WALL	44"	48"	Hole 48	-4"	P1
Invert 4								
Invert 5								
Invert 6								
Invert 7								
Invert 8								



**Default - Interior Dimensions**



Submittal Drawing  
 11/3/2025 7:42:56 AM

SUBMITTAL  
 APPROVED BY: