

Job Name: 25-3431 Plano Bridleton Farms Storm
 Job Location: Bowling Green, KY
 Contractor: J & J Concrete & Excavating, LLC

Plant: Beaver Dam
 10/30/2025 11:31:50 AM

Tech: C.Russ
 PC: E.Bradley



Structure ID: ST-B4

P1 BX30108-08BAVF

BOX BASE 8inW, 8inF, Variable Ht

- P3) 24" x 36" - CASTING HEIGHT - 6.25"
- P2) 30" x 108" - BX FLAT LID 8inW w/24"x36" HOLE - 6"
- P1) 30" x 108" - BOX BASE 8inW, 8inF, Variable Ht - 55"
- 1) CASTING - EJ 4510 F/G
- 1) 24" x 36" - SGL 1"x14.5' Butyl
- 2) Hole - 48 x 34
- 1) Hole - 48

HANDLE W/ 4 EA. CONAC 5CA14 ANCHORS IN THE FLOOR

Structure Notes:
 1. PER ASTM C913 SPECIFICATIONS.
 2. CONCRETE = 4,000 PSI AT 28 DAYS.
 3. EJ 4510 F/G BY ICAST

REINFORCING PER ASTM A615 (GRADE 60).
 - TOP SLAB (As .62) #5 BARS AT 6" C.C.E.W..
 - RISER/WALLS (As .36)#5 BARS AT 8" C.C.E.W..
 - FLOOR (As .47) #5 BARS AT 8" C.C.E.W.

Structure Total: 15147 lb

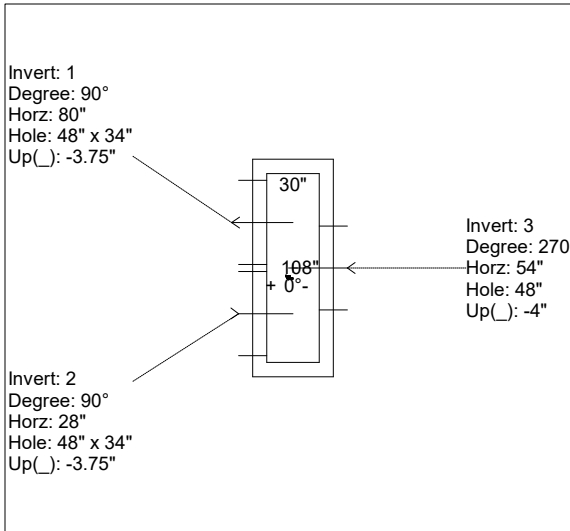
FIRST POUR DRAWING

Rim: 603.74' Rim to Invert: 5.66' Slack: 0.67" Sump: 0" Step Position: 0°

Position	Elev	Angle	Ext. (cw)	Pipe	Pipe OD	Connector	Hole	Horz Size	Up ()	Offset
Invert 1	598.08'	90°	88"	38" x 24" ELL RCP	45.5" x 31.5"	Hole 48 x 34	48" x 34"	48"	-3.75"	26"
Invert 2	598.08'	90°	36"	38" x 24" ELL RCP	45.5" x 31.5"	Hole 48 x 34	48" x 34"	48"	-3.75"	-26"
Invert 3	598.08'	270°	62"	36" RCP B WALL	44"	Hole 48	48"	48"	-4"	0"
Invert 4										
Invert 5										
Invert 6										
Invert 7										
Invert 8										

RIGHT-SIDE UP VIEW (int. dimensions)

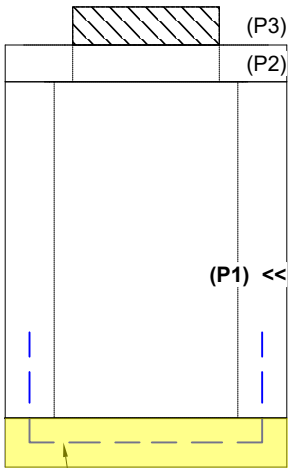
UPSIDE-DOWN VIEW (int. dimensions)



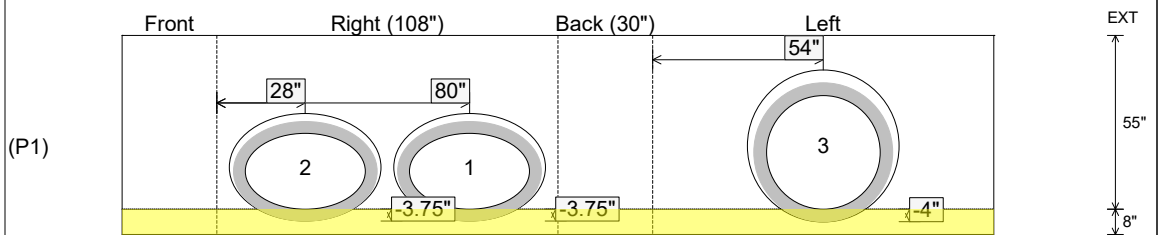
WEIGHTS

FIRST POUR: 3,829 LBS
SECOND POUR: 8,436 LBS
TOTAL: 12,265 LBS

INSIDE WALL DIMENSIONS



18" X 18" #5 BAR @ 12" ON CENTER TIED INTO THE MAT



Coating (Int):
 Coating (Ext):

Seam Up: Flat
 Seam Dn: n/a

Wall Thickness: 8"
 Floor Height: 8"

Height (Int): 55"
 Height (Ext): 63"

Weight (Net): 12265 lb
 Volume (Net): 3.13cu.yd

Job Name: 25-3431 Plano Bridleton Farms Storm
 Job Location: Bowling Green, KY
 Contractor: J & J Concrete & Excavating, LLC

Plant: Beaver Dam
 10/30/2025 11:31:50 AM

Tech: C.Russ
 PC: E.Bradley



Structure ID: ST-B4

P1 BX30108-08BAVF

BOX BASE 8inW, 8inF, Variable Ht

- P3) 24" x 36" - CASTING HEIGHT - 6.25"
- P2) 30" x 108" - BX FLAT LID 8inW w/24"x36" HOLE - 6"
- P1) 30" x 108" - BOX BASE 8inW, 8inF, Variable Ht - 55"
- 1) CASTING - EJ 4510 F/G
- 1) 24" x 36" - SGL 1"x14.5' Butyl
- 2) Hole - 48 x 34
- 1) Hole - 48

HANDLE W/ 4 EA. CONAC 5CA14 ANCHORS IN THE FLOOR

0 lb Structure Notes:
 2437 lb 1. PER ASTM C913 SPECIFICATIONS.
 12265 lb 2. CONCRETE = 4,000 PSI AT 28 DAYS.
 445 lb 3. EJ 4510 F/G BY ICAST
 0 lb
 0 lb REINFORCING PER ASTM A615 (GRADE 60).
 0 lb - TOP SLAB (As .62) #5 BARS AT 6" C.C.E.W..
 Structure Total: 15147 lb - RISER/WALLS (As .36)#5 BARS AT 8" C.C.E.W..
 - FLOOR (As .47) #5 BARS AT 8" C.C.E.W.

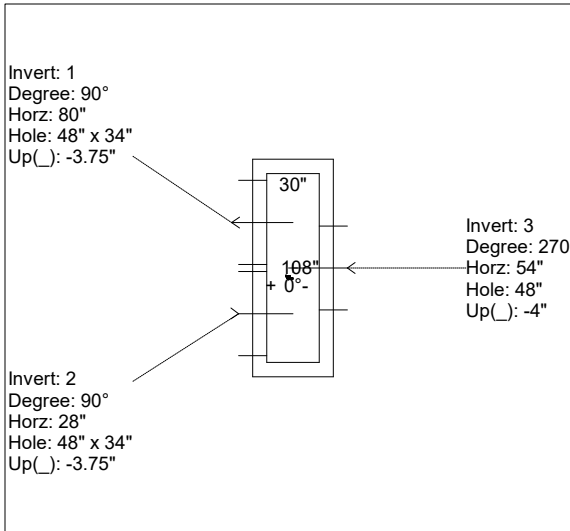
SECOND POUR DRAWING

Rim: 603.74' Rim to Invert: 5.66' Slack: 0.67" Sump: 0" Step Position: 0°

Position	Elev	Angle	Ext. (cw)	Pipe	Pipe OD	Connector	Hole	Horz Size	Up ()	Offset
Invert 1	598.08'	90°	88"	38" x 24" ELL RCP	45.5" x 31.5"	Hole 48 x 34	48" x 34"	48"	-3.75"	26"
Invert 2	598.08'	90°	36"	38" x 24" ELL RCP	45.5" x 31.5"	Hole 48 x 34	48" x 34"	48"	-3.75"	-26"
Invert 3	598.08'	270°	62"	36" RCP B WALL	44"	Hole 48	48"	48"	-4"	0"
Invert 4										
Invert 5										
Invert 6										
Invert 7										
Invert 8										

RIGHT-SIDE UP VIEW (int. dimensions)

UPSIDE-DOWN VIEW (int. dimensions)



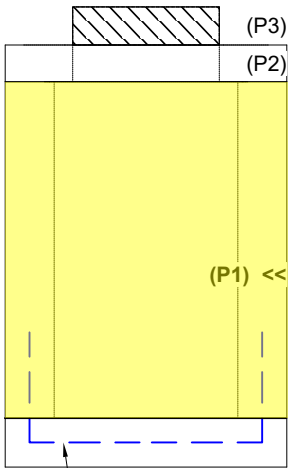
WEIGHTS

FIRST POUR: 3,829 LBS

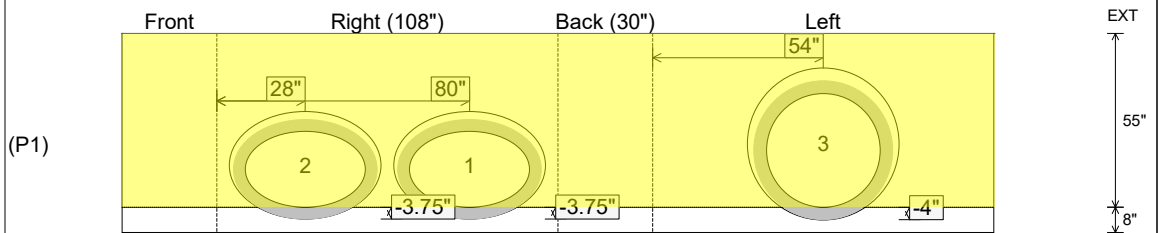
SECOND POUR: 8,436 LBS

TOTAL: 12,265 LBS

INSIDE WALL DIMENSIONS



18" X 18" #5 BAR @ 12" ON CENTER TIED INTO THE MAT



Coating (Int): Coating (Ext):	Seam Up: Flat Seam Dn: n/a	Wall Thickness: 8" Floor Height: 8"	Height (Int): 55" Height (Ext): 63"	Weight (Net): 12265 lb Volume (Net): 3.13cu.yd
----------------------------------	-------------------------------	--	--	---