

Job Name: 25-3431 Plano Bridleton Farms Storm
 Job Location: Bowling Green, KY
 Contractor: J & J Concrete & Excavating, LLC

Plant: Beaver Dam

Tech: C.Russ

10/30/2025 12:17:38 PM

PC: E.Bradley



Structure ID: ST-B2

P2 CTS

BX FLAT LID 8inW w/24"x36" HOLE

- P3) 24" x 36" - CASTING HEIGHT - 6.25"
- P2) 30" x 120" - BX FLAT LID 8inW w/24"x36" HOLE - 8"
- P1) 30" x 120" - BOX BASE 8inW, 8inF, Variable Ht - 66"
- 1) CASTING - EJ 4510 F/G
- 1) 24" x 36" - SGL 1"x14.5' Butyl
- 4) Hole - 48 x 34
- 7) MH Step ML-10-TDS-NCR - 10"

0 lb
 3620 lb
 15357 lb
 445 lb
 0 lb
 0 lb
 0 lb

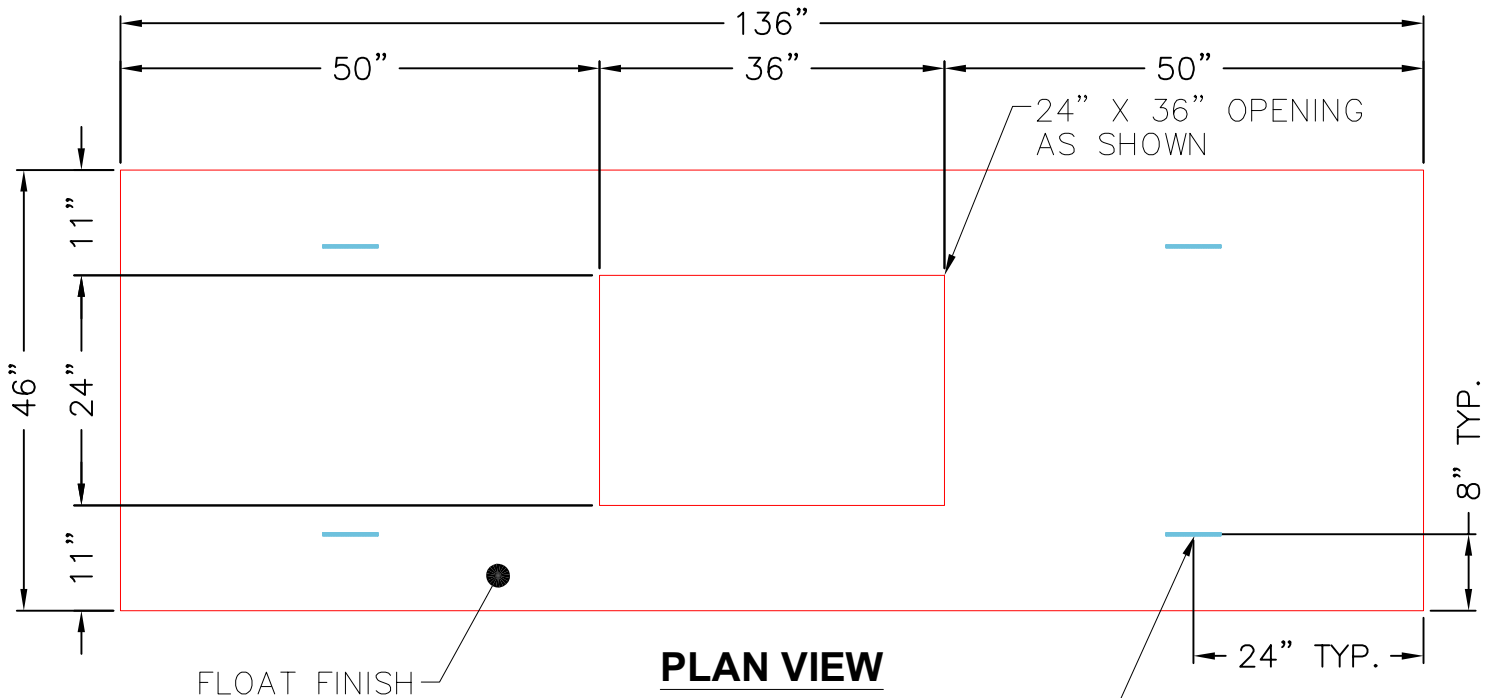
 19421 lb

Structure Total:

Structure Notes:

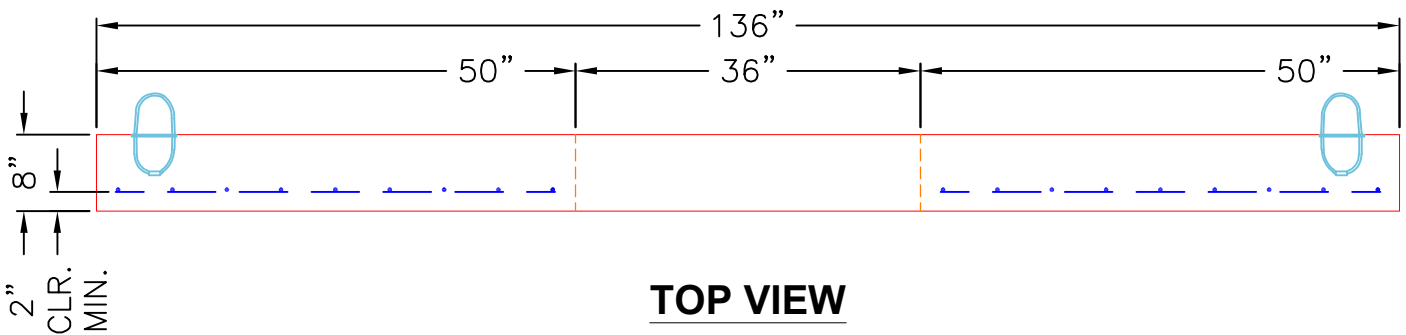
1. PER ASTM C913 SPECIFICATIONS.
2. CONCRETE = 4,000 PSI AT 28 DAYS.
3. EJ 4510 F/G BY ICAST

REINFORCING PER ASTM A615 (GRADE 60).
 - TOP SLAB (As .62) #5 BARS AT 6" C.C.E.W..
 - RISER/WALLS (As .36) #5 BARS AT 8" C.C.E.W..
 - FLOOR (As .47) #5 BARS AT 8" C.C.E.W.



PLAN VIEW

4 EA. CONAC WRA016
 WIRE ROPE ANCHORS
 REQUIRED.



TOP VIEW

Coating (Int):
 Coating (Ext):

Seam Up: Flat
 Seam Dn: Flat

Wall Thickness: 8"

Height (Ext): 8"

Weight (Net): 3620 lb
 Volume (Net): 0.92cu.yd